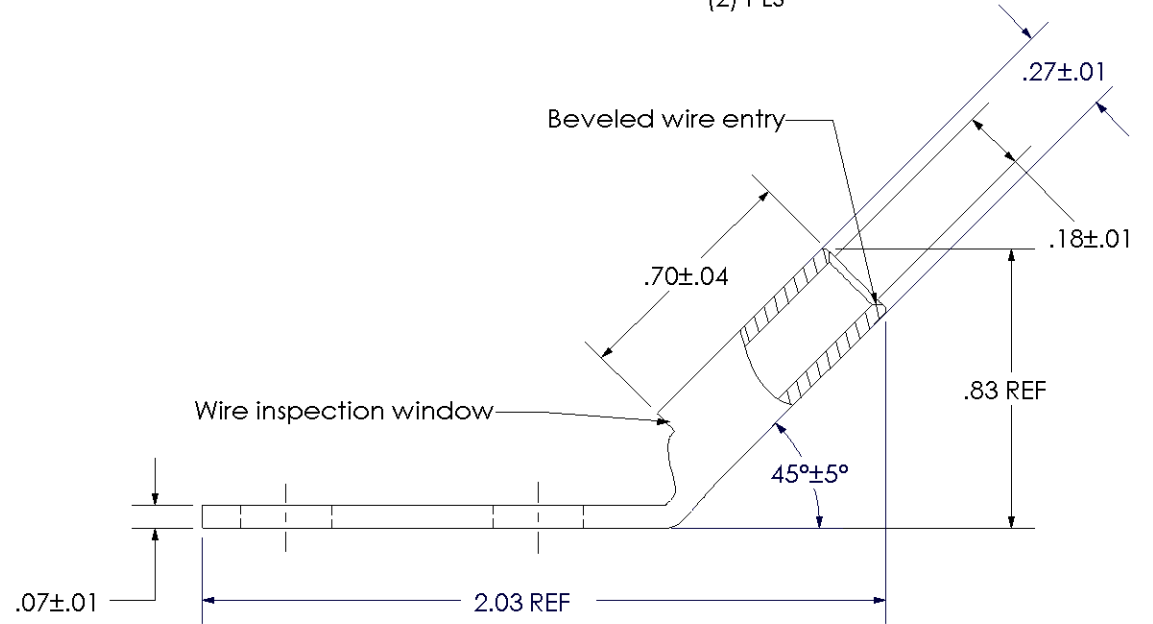
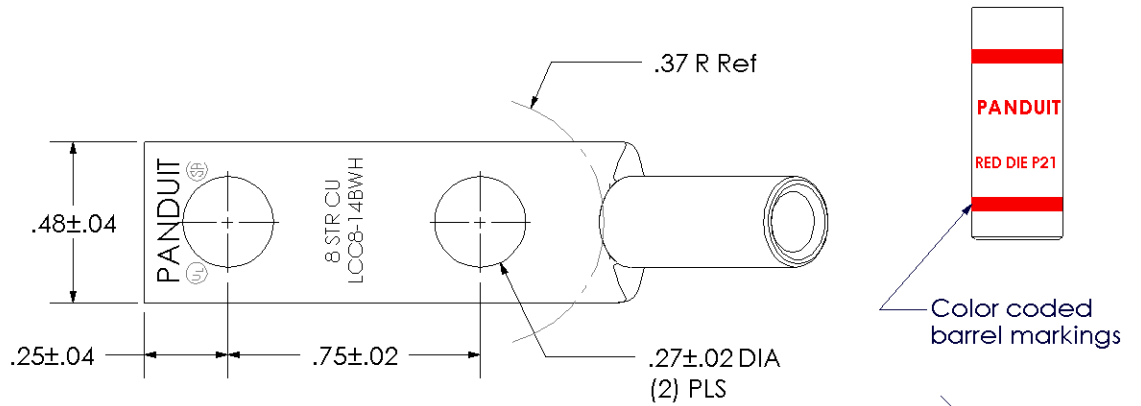


THIS COPY IS PROVIDED ON A RESTRICTED BASIS AND IS NOT TO BE USED IN ANY WAY DETRIMENTAL TO THE INTERESTS OF PANDUIT CORP.

| | |
|------------------------------------------------|------------------------------------------------------------------------------------------------------------------------------------------------|
| Material | High Conductivity Seamless Copper Tube |
| Plating | Electro-Tin |
| Wire Size | 8 AWG |
| Wire Type | Stranded Copper; Class B: Compact, Compressed or Concentric, Class C: Concentric |
| Wire Strip Length | 3/4 in. |
| Stud Size | 1/4 in. |
| UL Listed Wire Connector | Yes, for applications up to 35kv. Consult cable manufacturer for voltage stress relief instructions with applications greater than 2000 volts. |
| UL Temperature Rating | 90° C |
| C.S.A Certified Wire Connector | Yes |
| Panduit Color Code on Barrel | RED |
| Panduit Die Index No. on Barrel | P21 |
| Alternate Industry Die Index No. () on Barrel | N/A |



| | | | | | |
|-----|------|-----|-----|-------------|-------|
| 00 | 7/02 | SAB | DRL | RELEASED | 10341 |
| REV | DATE | BY | CHK | DESCRIPTION | ECN |

PANDUIT CORP. TINLEY PARK, ILLINOIS

LCC8-14BWH-L
Copper Lug - Two-Hole, Long Barrel with Window, 45° Angle Tongue

SCALE N/A DRAWING NO / CAD FILE LCC8-14BWH-CUST