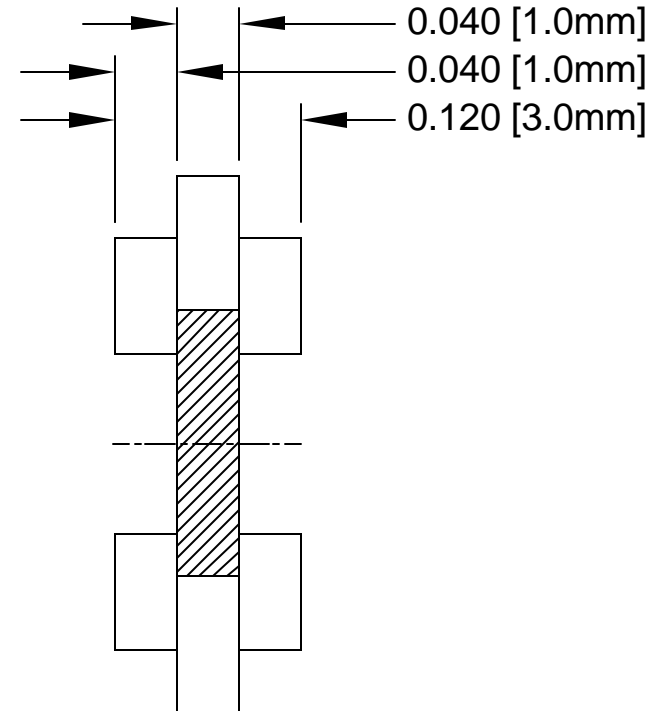
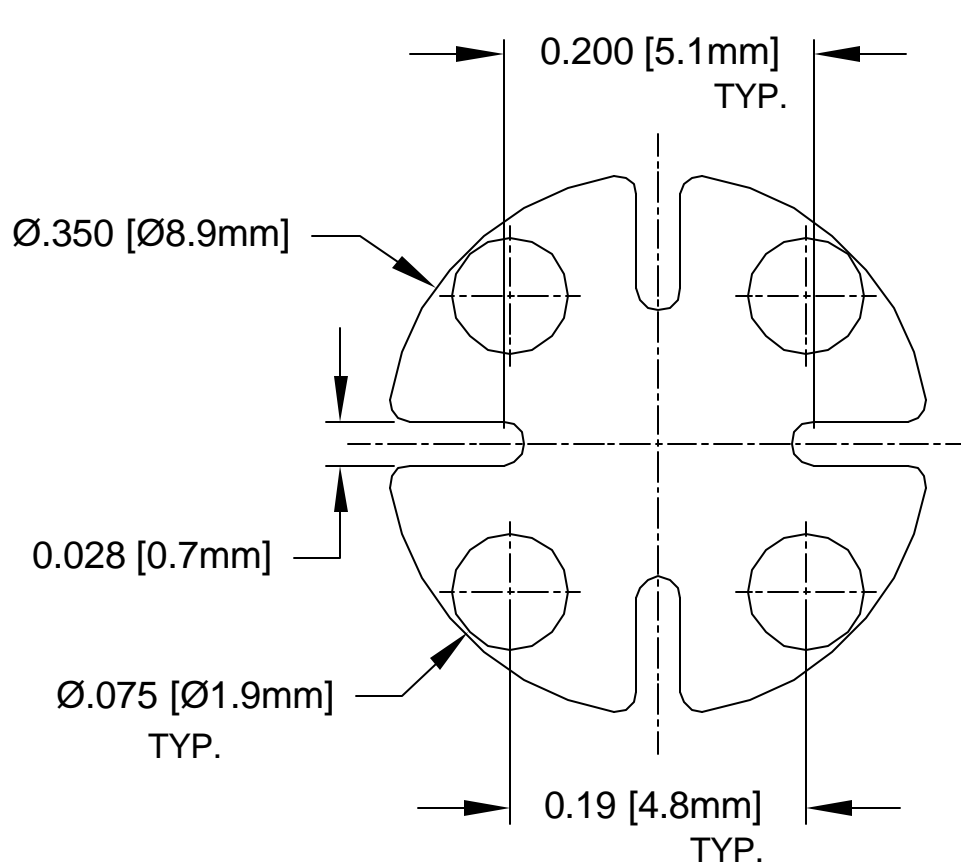


REV.	DESCRIPTION	DATE	APPROVED
A	Engineering Update w/o Changes	04/06/05	M. C.



- 2. MATERIAL: NYLON 6/6, 94V-2, WHITE. BIVAR MATERIAL CODE 04-WE. BASF ULTRAMID NYLON 6/6 A3K WHITE.
- 1. GENERAL SPECIFICATIONS: BIVAR MOLDED COMPONENT SPECIFICATION BV00-E101.

STANDARD TOLERANCE (UNLESS OTHERWISE SPECIFIED)		BIVAR®	
DECIMALS	ANGULAR	4 THOMAS, IRVINE, CA. 92618 TEL: (949) 951-8808 FAX: (949) 951-3974	
.X ±.1	X° ± 1°	TITLE: PERM-O-PAD TO-5 MOUNT	
.XX ±.01		PART NO: 505-120	
.XXX ±.005		REVISION: A	
DESIGNED: Shane Irving	DATE: 12/08/98	CAGE CODE : 32559	SHEET # 1 OF 1
CHECKED: D. Green	DATE: 04/06/05	CAD GENERATED DOCUMENT. DO NOT MEASURE DRAWING.	