

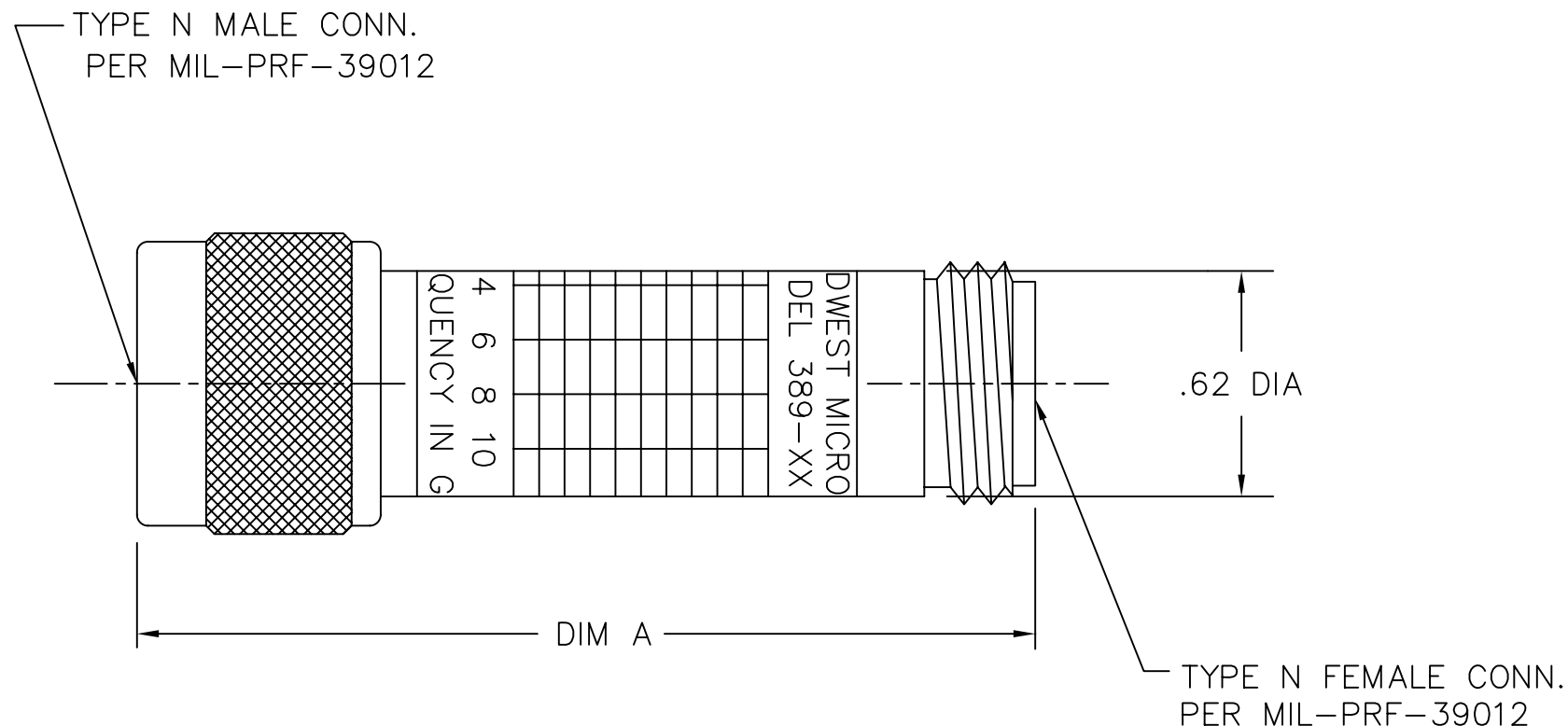
NOTES:

1.0 SPECIFICATIONS:

- 1.1 FREQUENCY RANGE: DC to 18.0 GHz
- 1.2 ATTENUATION ACCURACY:
 - 3 & 6dB: ±0.3dB
 - 10 & 20dB: ±0.5dB
 - 30 & 40dB: ±1.0dB
- 1.3 IMPEDANCE: 50 OHMS
- 1.4 MAXIMUM VSWR:
 - DC to 4.0 GHz: 1.12:1
 - 4.0 to 8.0 GHz: 1.15:1
 - 8.0 to 18.0 GHz: 1.20:1
- 1.5 MAXIMUM INPUT POWER: 2 WATTS AVG.
+40°C to DERATED LINEARLY TO 0.5 WATTS AT +125°C.
- 1.6 MAXIMUM PEAK POWER:
 - 3, 6, 10 & 20dB: 200 WATTS
 - 30 & 40dB: 50 WATTS
- 1.7 OPERATING TEMPERATURE RANGE: -55°C to +125°C
- 1.8 CALIBRATION SUPPLIED AT: DC, 4, 8, 12 & 18 GHz

2.0 MARKING:

- 2.1 MARK UNIT AS SHOWN
(REF.: LBL-02599-46-XX & LBL-02976-46-01)



30 & 40	2.76
3, 6, 10 & 20	2.47
dB VALUE	DIM A

DWG NO. WAS: 02355-01-00

REV.	DESCRIPTION	DATE
-	RELEASED	4/1/92
A	ECR 3220	11/13/84
B	ECR 5905	3/30/88
C	ECR 6545	6/29/89
D	ECR 6933	11/12/90
E	CHNG TO OLD MOD NO.	1/14/91
F	REDRAW ON CAD/UPDATE	3/30/92
F1	ADDED TITLEBLOCK	3/30/05

UNLESS OTHERWISE NOTED DIMENSIONS ARE IN INCHES AND TOLERANCES ARE:		FSCM NO. 34078		MIDWEST MICROWAVE	
3 PLACE DECIMALS ±.005		NOTICE: The information contained in this drawing is proprietary and must not be used without the permission of Midwest Microwave		TITLE ATTENUATOR	
2 PLACE DECIMALS ±.02					
FRACTIONS ±1/64		DRAWN/DATE A.BEATTY 3/30/92		ENG./DATE G.KOZAK 4/1/92	
PARALLELITY: T.I.R. _____		CHECKED/DATE		APPROVED/DATE	
FLATNESS: T.I.R. _____		DRAWING NUMBER ATT-0389-XX-NNN-02		SCALE: 2=1	
CONCENTRICITY: T.I.R. _____		ANGLES AND PERPENDICULARITY: ±1'		SHEET 1 of 1	