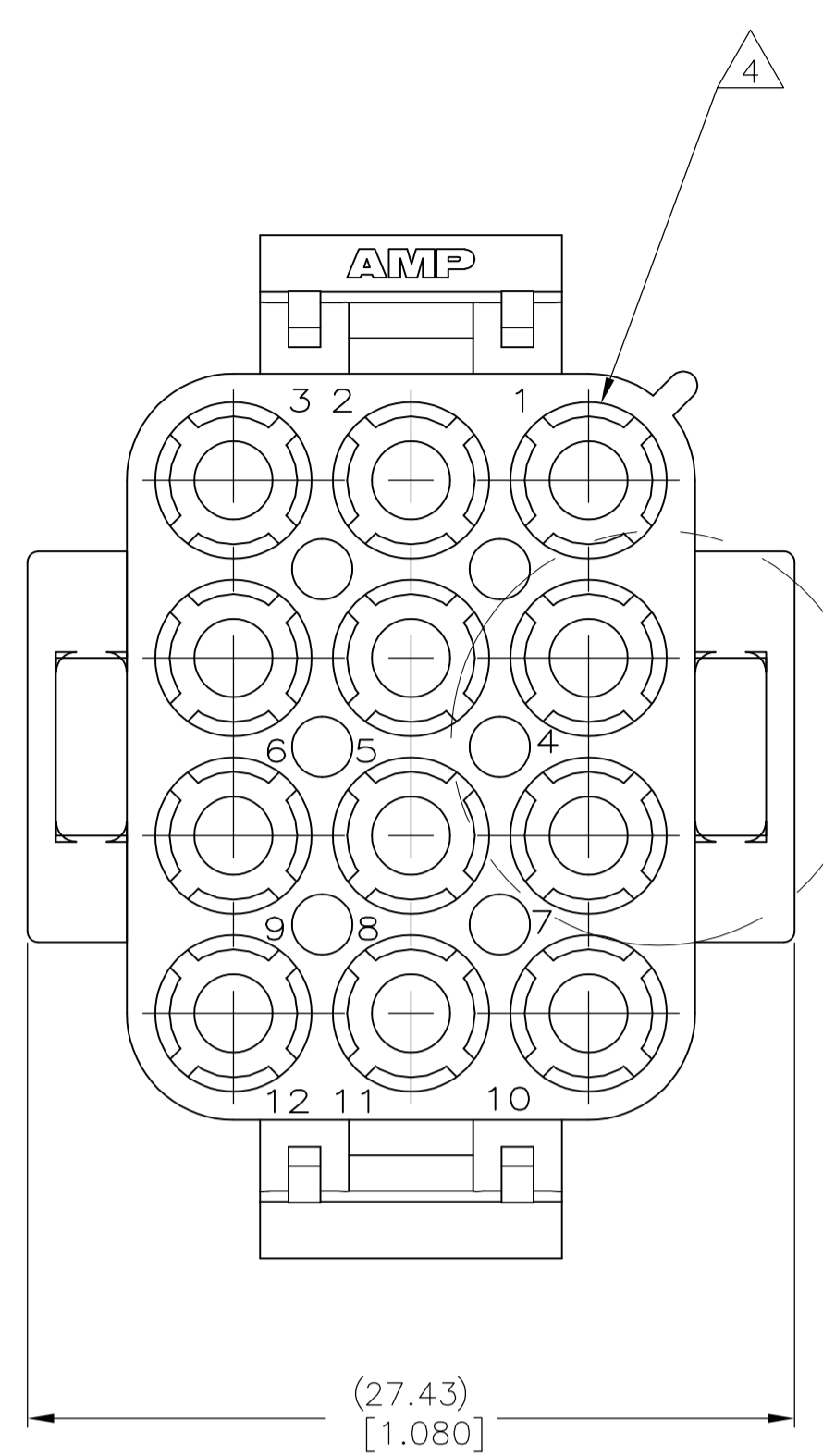
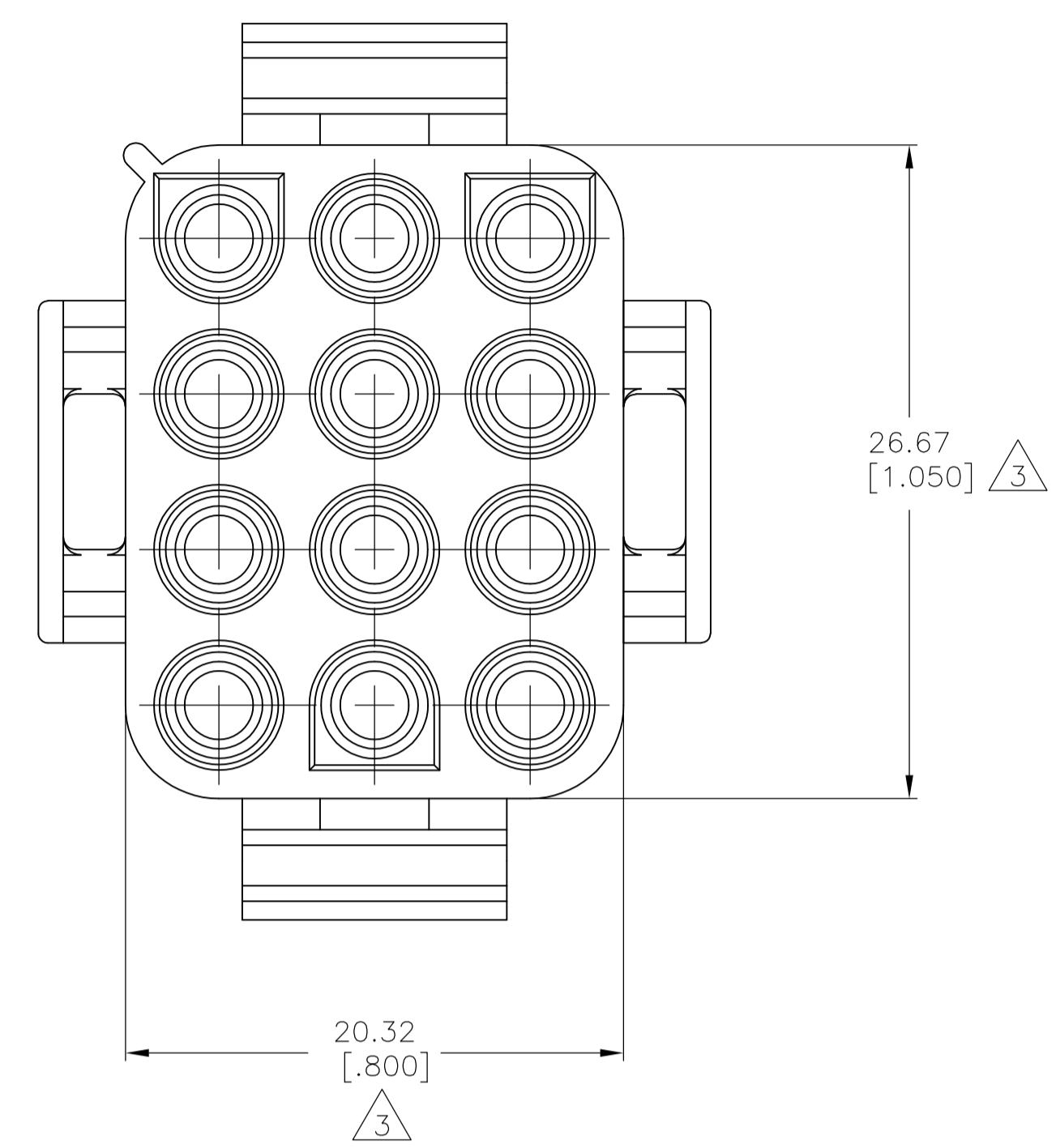
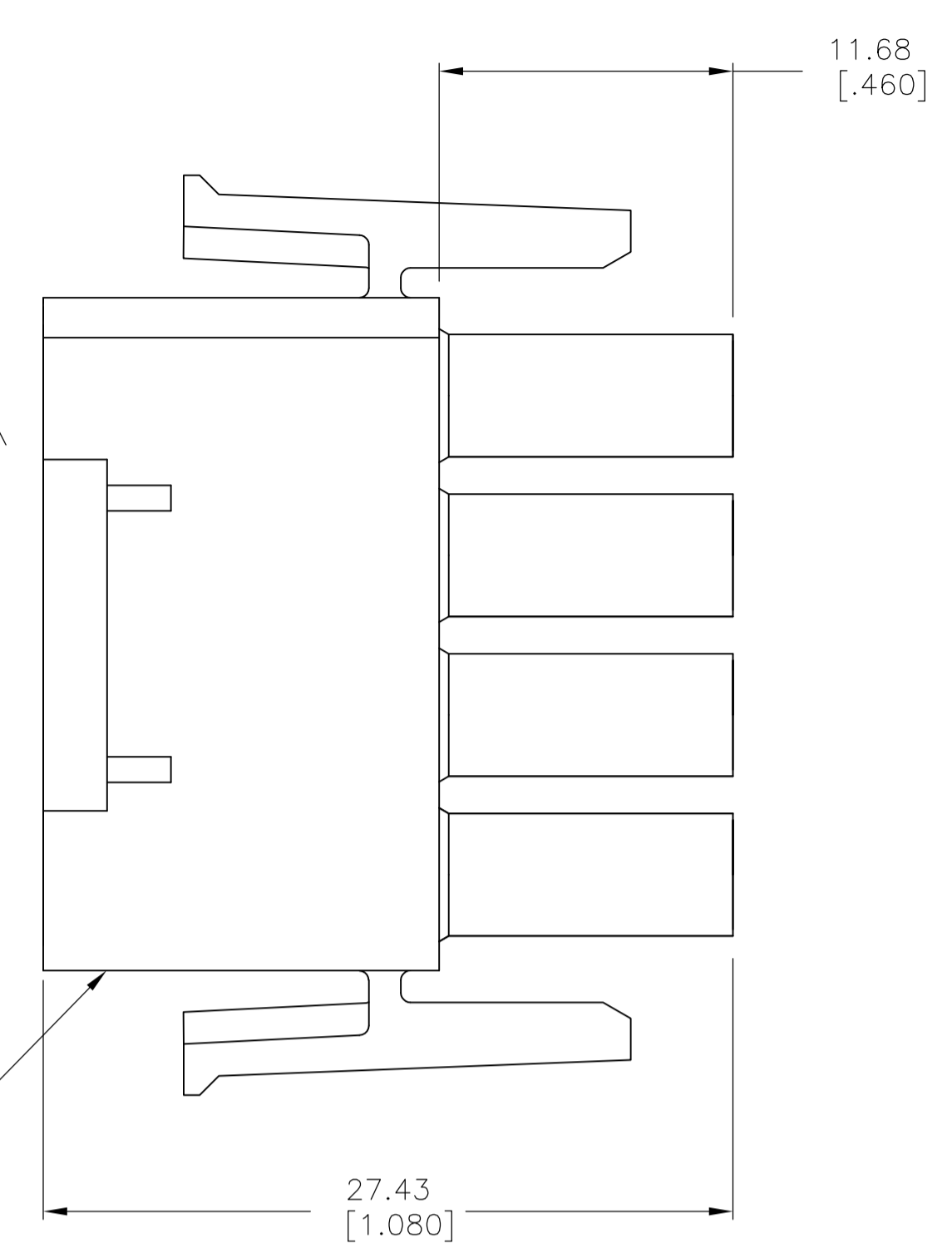


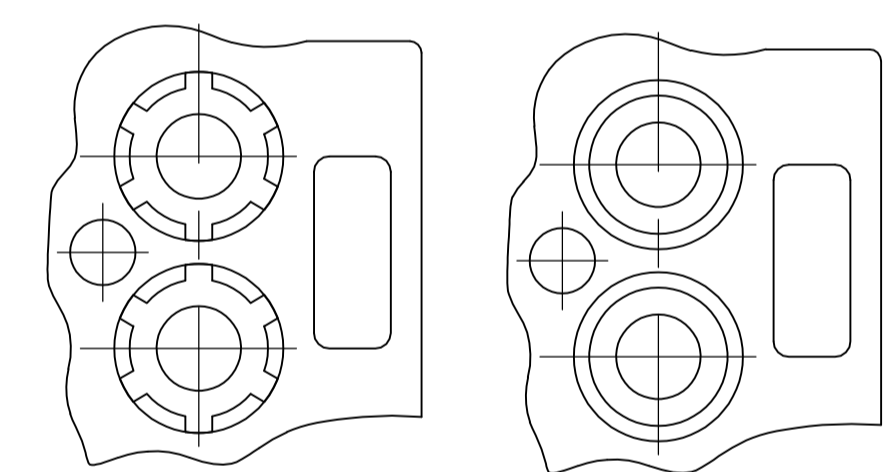
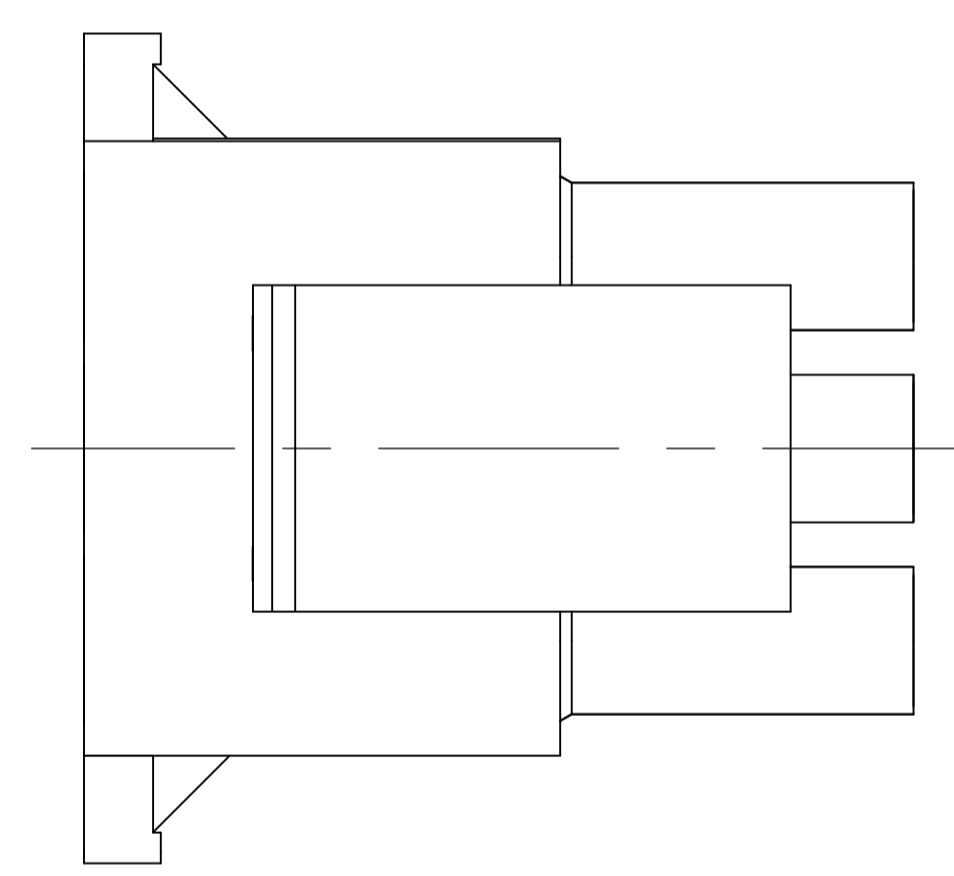
LOC		DIST		REVISIONS			
CM	00	REV	DATE	BY	CHK	APPV	
AP2	REVISED PER	ECO-11-004587	11MAR11	RK	HMR		



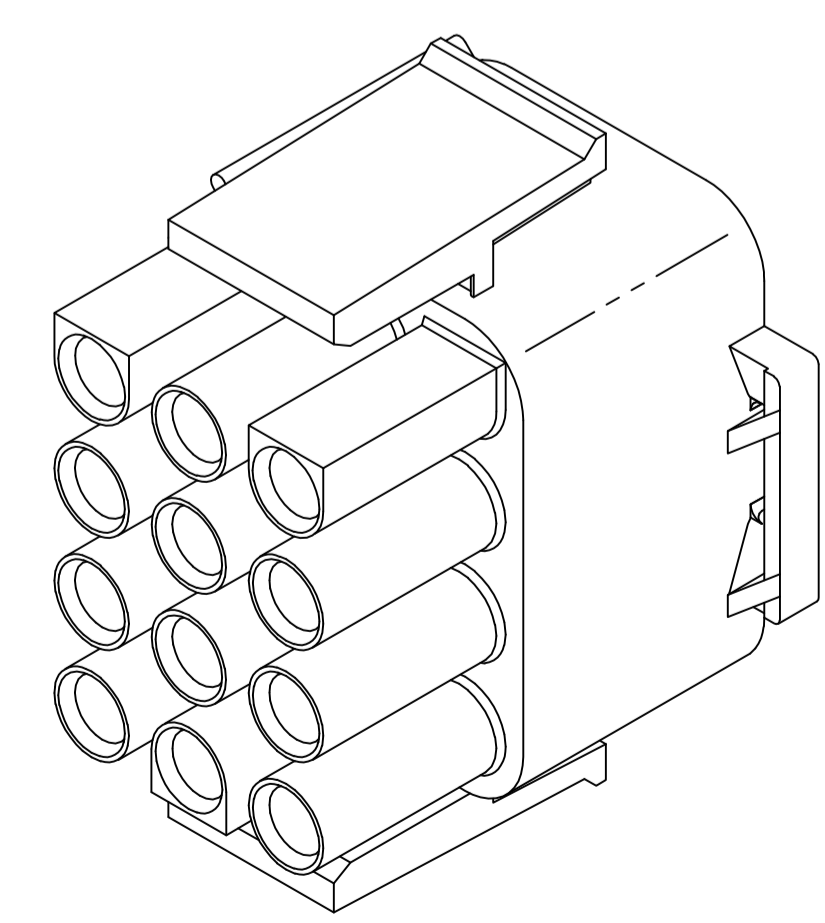
SEE DETAIL A



- 1 MATES WITH APPROPRIATE UNIVERSAL MATE-N-LOK™ CAP OR HEADER.
- 2 SMALL NICKS ARE PERMITTED ON THE CIRCUIT TOWERS WHICH COULD INCREASE THE INITIAL HOUSING MATING FORCE BY UP TO 4.4 NEWTONS [1.0 LBS]. NO INDIVIDUAL NICKED TOWER SHALL INCREASE THIS FORCE BY OVER 2.2 NEWTONS [.5 LBS].
- 3 DIMENSION INDICATED IS AS MOLDED. ADDITIONAL GROWTH DUE TO SUBSEQUENT MOISTURE ABSORPTION MAY OCCUR.
- 4 FOUR RIBS EQUALLY SPACED, NO SPECIFIC ORIENTATION. NO RIBS OR SIX RIBS EQUALLY SPACED, NO SPECIFIC ORIENTATION, OPTIONAL.
- 5 UNDERWRITERS RECOGNIZED COMPONENT LOGO AND CSA CERTIFICATION LOGO TO BE LOCATED ONCE EACH ON SIDE OF HOUSING.
- 6 OBSOLETE PARTS: OBSOLETE CIS STREAMLINING PER D.RENAUD/D.SINISI



DETAIL A  
OPTIONAL CONSTRUCTION



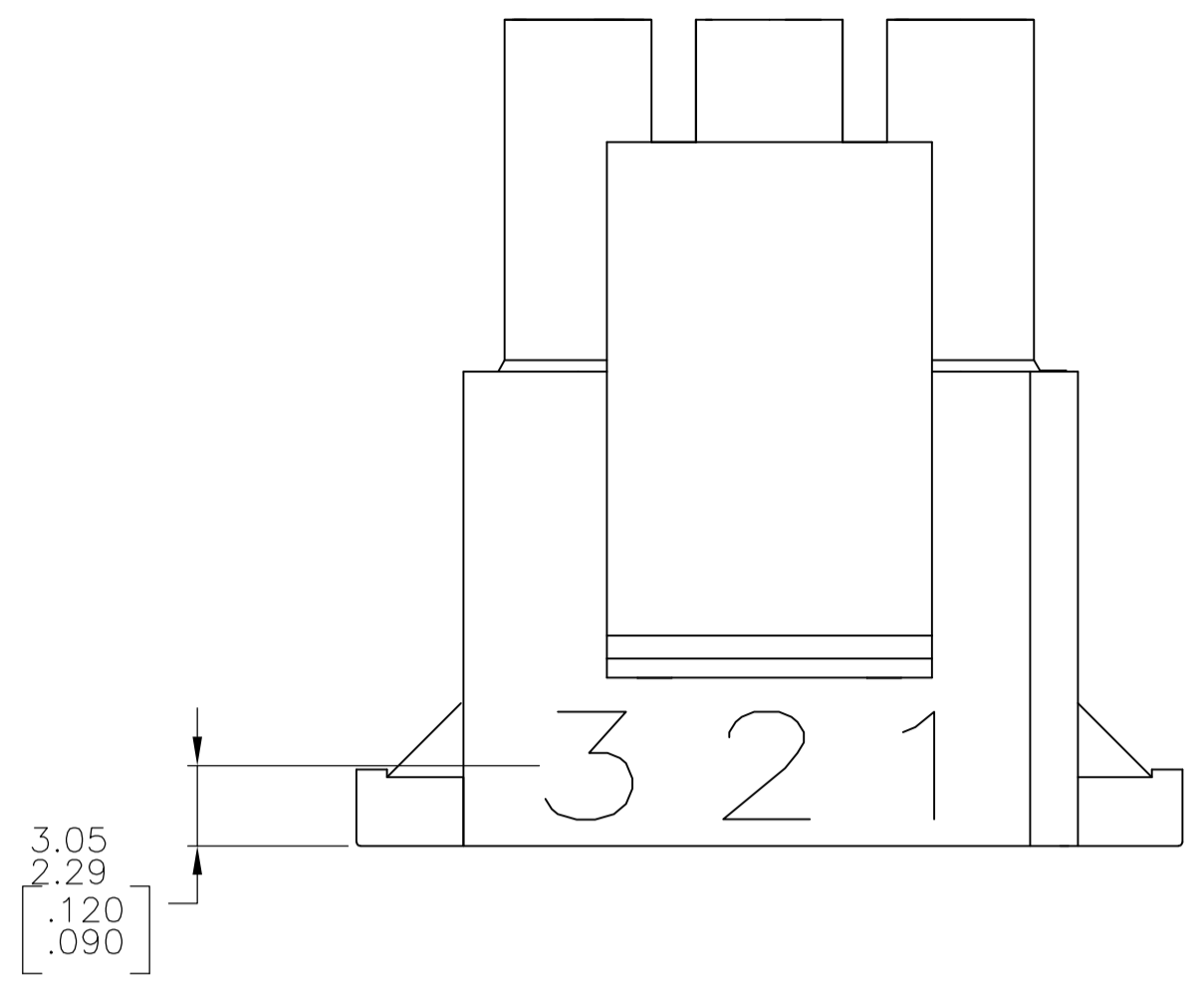
3-DIMENSIONAL MODEL  
NTS

6 OBSOLETE	BLACK	1-480708-9
	GREY	1-480708-8
	BLUE	1-480708-6
	GREEN	1-480708-5
	YELLOW	1-480708-4
	ORANGE	1-480708-3
6 OBSOLETE	RED	1-480708-2
	BROWN	1-480708-1
	NATURAL	1-480708-0
6 SUPERSEDED BY	1-480708-0	
COLOR		PART NO.

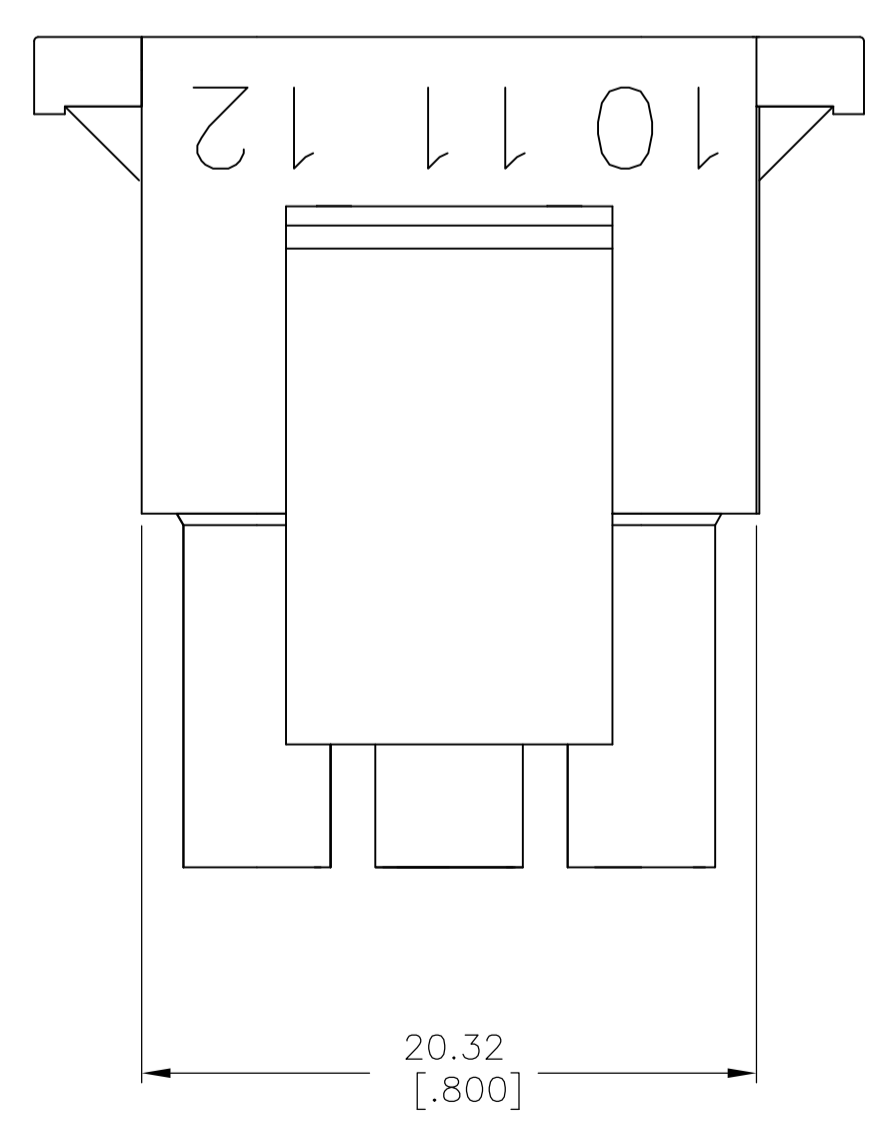
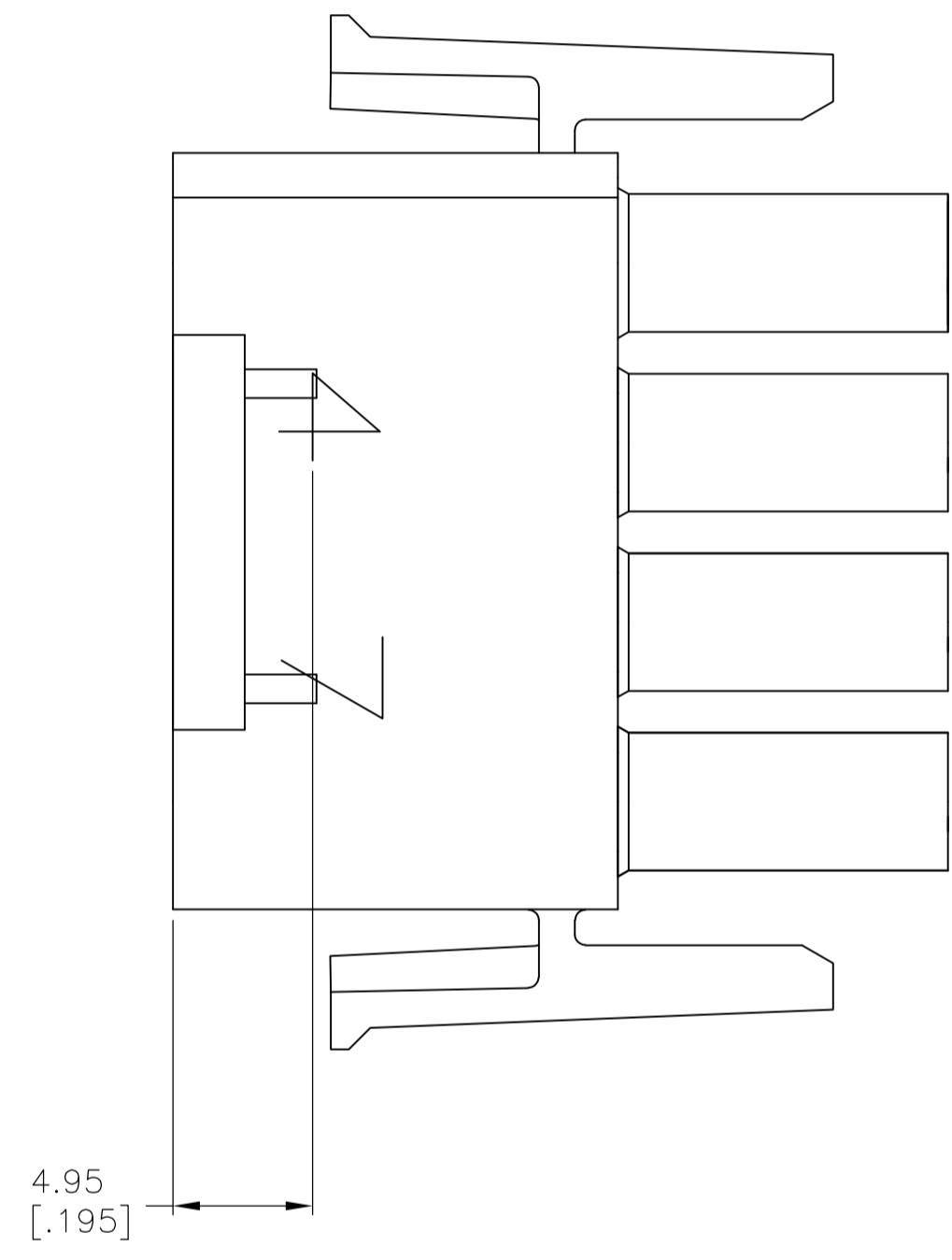
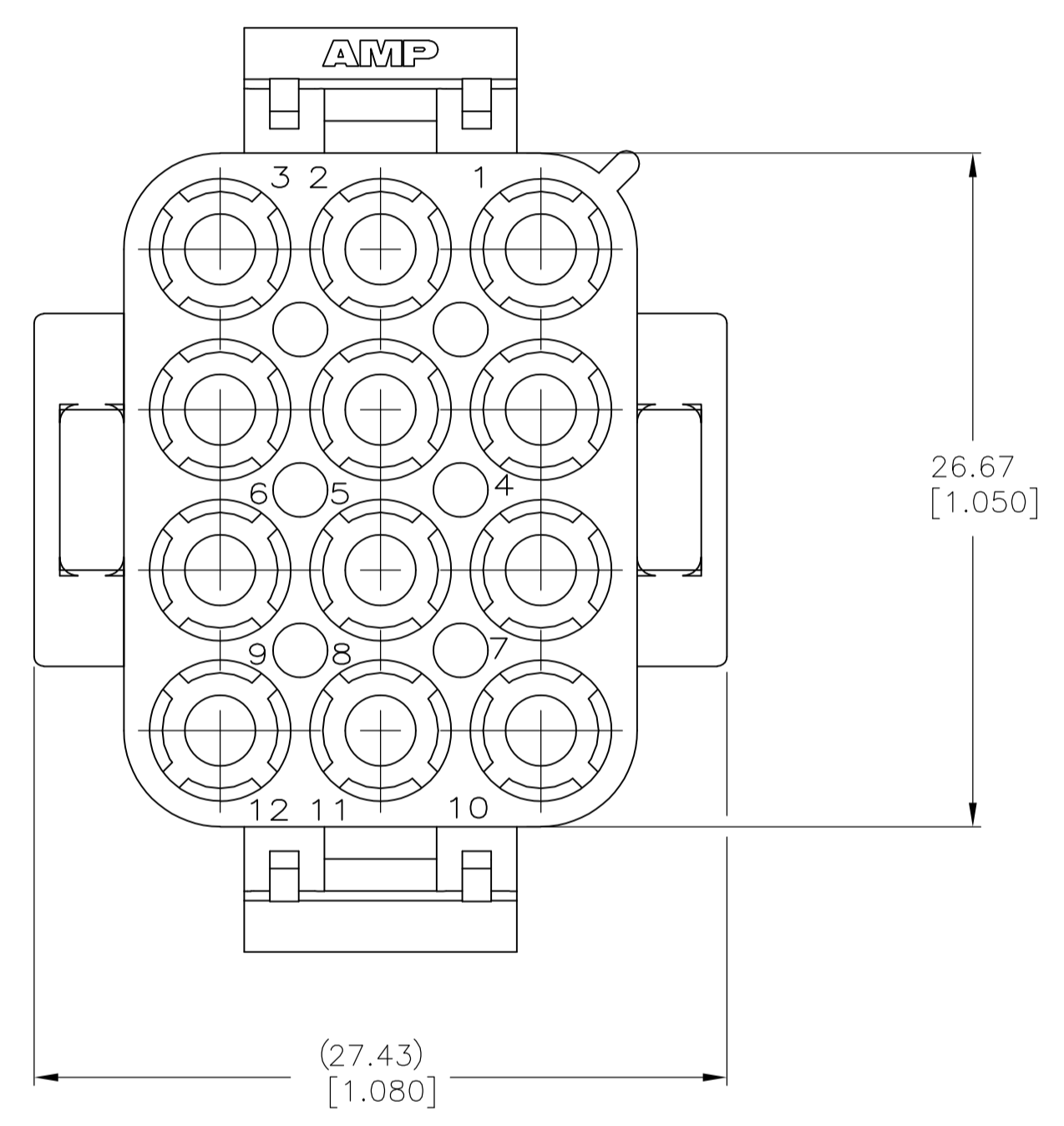
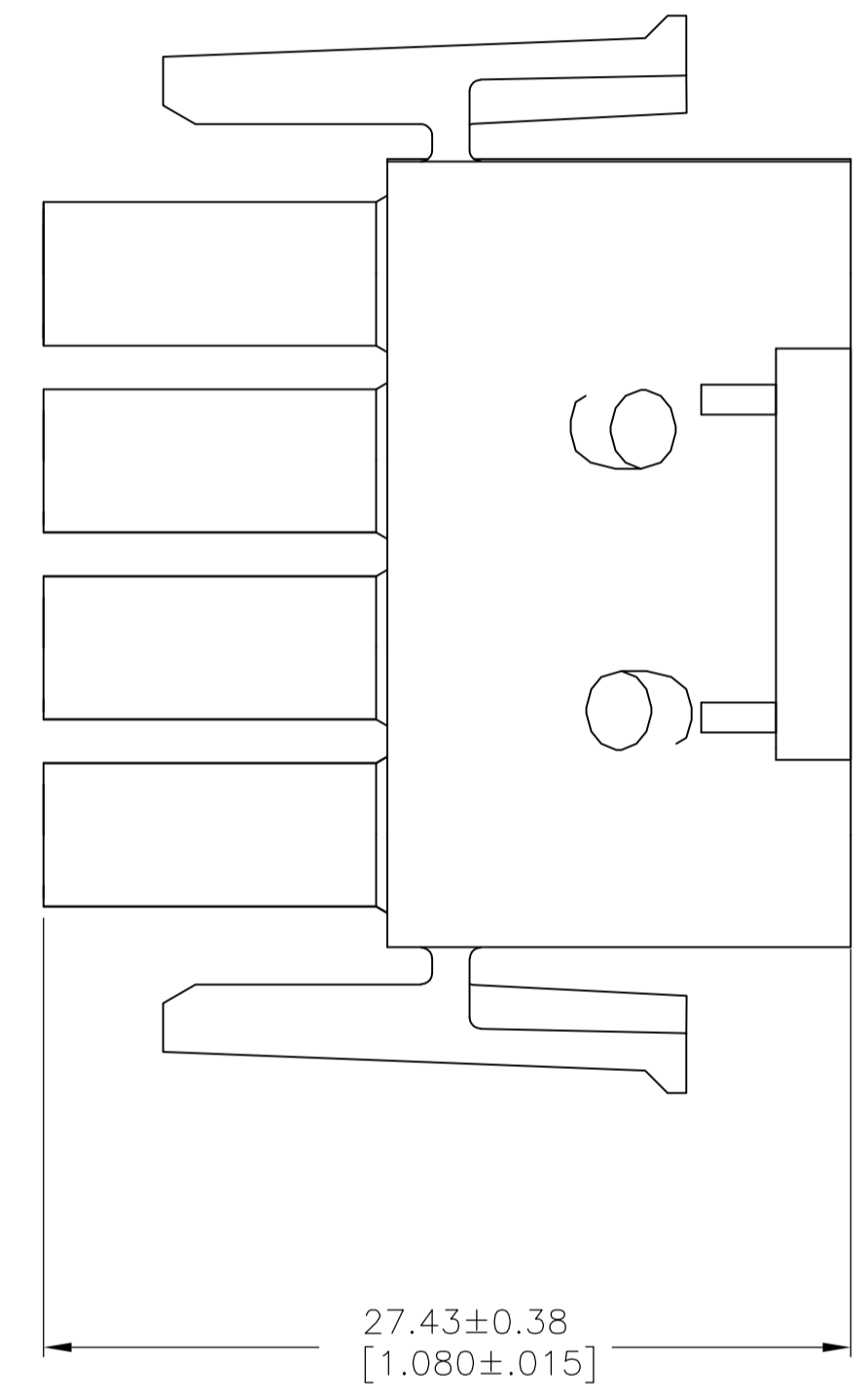
THIS DRAWING IS A CONTROLLED DOCUMENT.		DWG: K. WHITAKER 01SEP04	STE		TE Connectivity	
DIMENSIONS: mm [INCHES]		CHK: S. RIDGILL 01SEP04	NAME: PLUG, 12 CIRCUIT, UNIVERSAL MATE-N-LOK™		RESTRICTED TO: -	
TOLERANCES UNLESS OTHERWISE SPECIFIED:		APPV: S. RIDGILL 01SEP04	PRODUCT SPEC: -		SIZE: A1	
0 PLG ± -		APPLICATION SPEC: -	DRAWING NO: 480708		SHEET 1 OF 2	
1 PLG ± -		WEIGHT: -	SCALE: 4:1		REV: AP2	
2 PLG ± 0.13 [.005]		CUSTOMER DRAWING		DATE: 11MAR11		
3 PLG ± -		SCALE: 4:1		SHEET 1 OF 2		
4 PLG ± -		SCALE: 4:1		SHEET 1 OF 2		
ANGLES ± 0.30°		SCALE: 4:1		SHEET 1 OF 2		
FINISH: -		SCALE: 4:1		SHEET 1 OF 2		



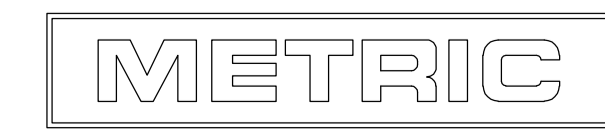
LOC		DIST		REVISIONS			
CM	00	REV	DATE	BY	APPV	DESCRIPTION	
-	-	1	-	-	-	SEE SHEET 1	



- 1 STAMP NUMBERS 3.18 HIGH AT WIRE END OF HOUSING (12 POINT DAVID TYPE).
- 2 CHARACTERS TO BE POSITIONED ON HOUSING TO BE READ FROM WIRE END ONLY.
- 3 VIOLET, BLACK, BROWN, AND BLUE COLORED BLOCKS TO BE STAMPED WITH WHITE CHARACTERS. ALL OTHER COLORED BLOCKS TO BE STAMPED WITH BLACK CHARACTERS.



NATURAL	2-480708-0
COLOR	PART NUMBER



THIS DRAWING IS A CONTROLLED DOCUMENT.		DIN K. WHITAKER 01SEP04		TE Connectivity	
DIMENSIONS: mm [INCHES]		CHK S. RIDGILL 01SEP04		NAME PLUG, 12 CIRCUIT, UNIVERSAL MATE-N-LOK	
TOLERANCES UNLESS OTHERWISE SPECIFIED:		APPV S. RIDGILL 01SEP04		SIZE CAGE CODE DRAWING NO. A1 00779C=480708	
0. PLC ± -	1. PLC ± -	PRODUCT SPEC		RESTRICTED TO	
2. PLC ± 0.13 [.005]	3. PLC ± -	APPLICATION SPEC		WEIGHT -	
4. PLC ± -	ANGLES ± 0.30°	MATERIAL NYLON, UL 94V-2		CUSTOMER DRAWING	
FINISH -		SCALE 4:1		SHEET 2 OF 2 REV AP2	