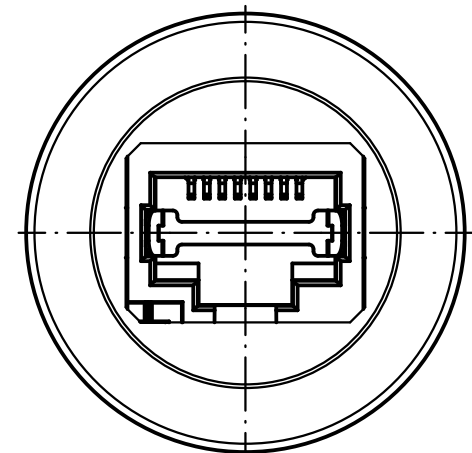
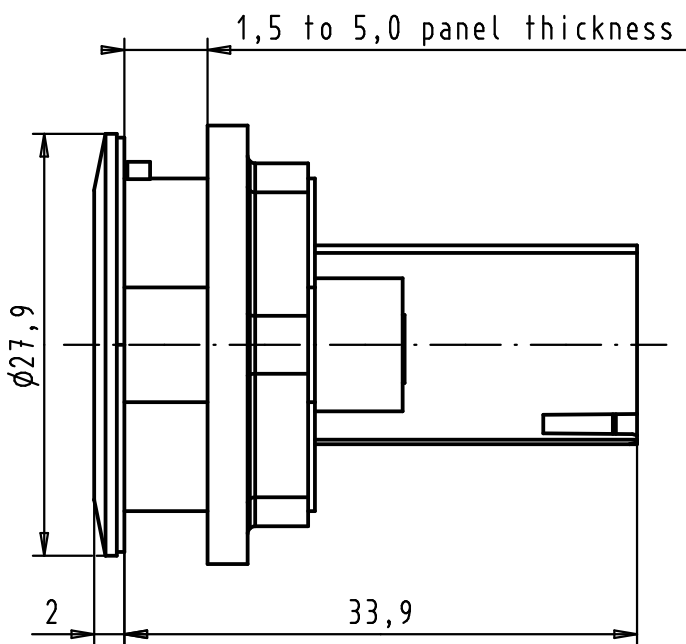
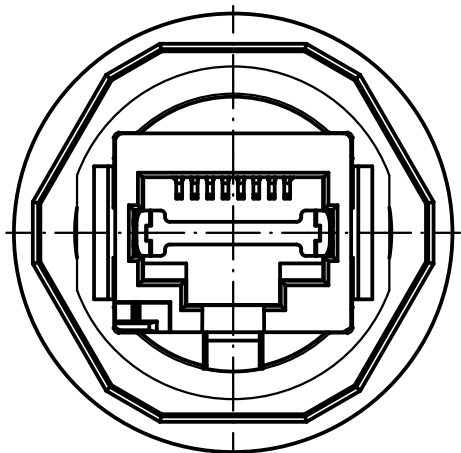


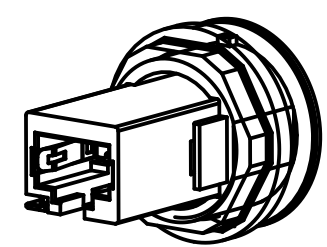
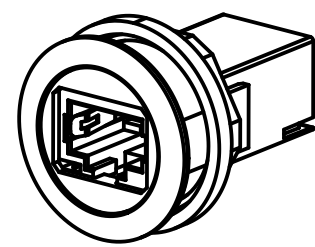
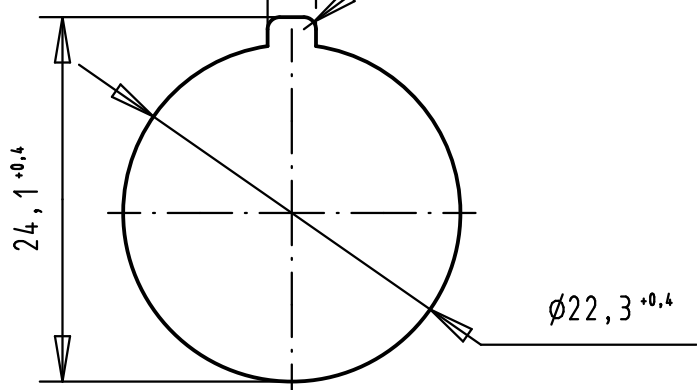
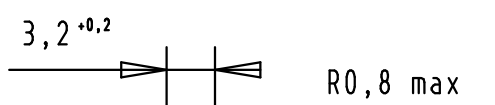
1 2 3 4 5 6



A

B



PANEL CUT DIMENSIONS:



				Dot.	Name	 All Dim. in mm Orig. Size DIN A 4	har-port RJ45 IP20 coupler Cat.6	Maßstab/ Scale 2:1	
				Detail.	26/JAN/11				BH
				Insp.	26/JAN/11				JB
				Stand.					
36227	15-FEB-11	BH	HARTING EURL			TB 09 45 452 1560	Blatt/ Page 1 / 1		
36224			F-95972 Paris						
Mod.	Dot.	Name			Sub.				