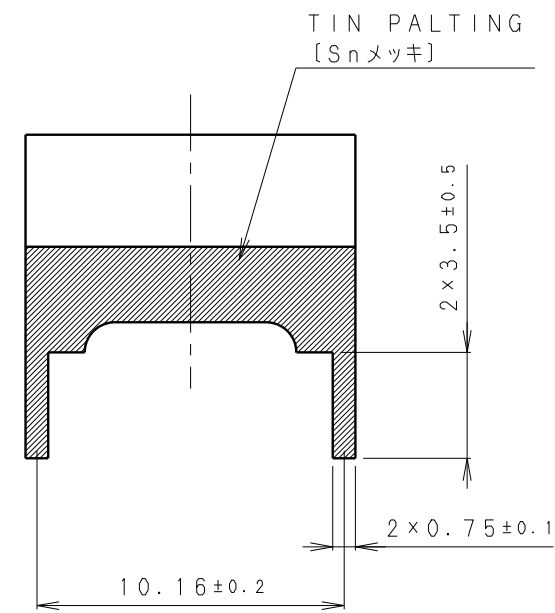
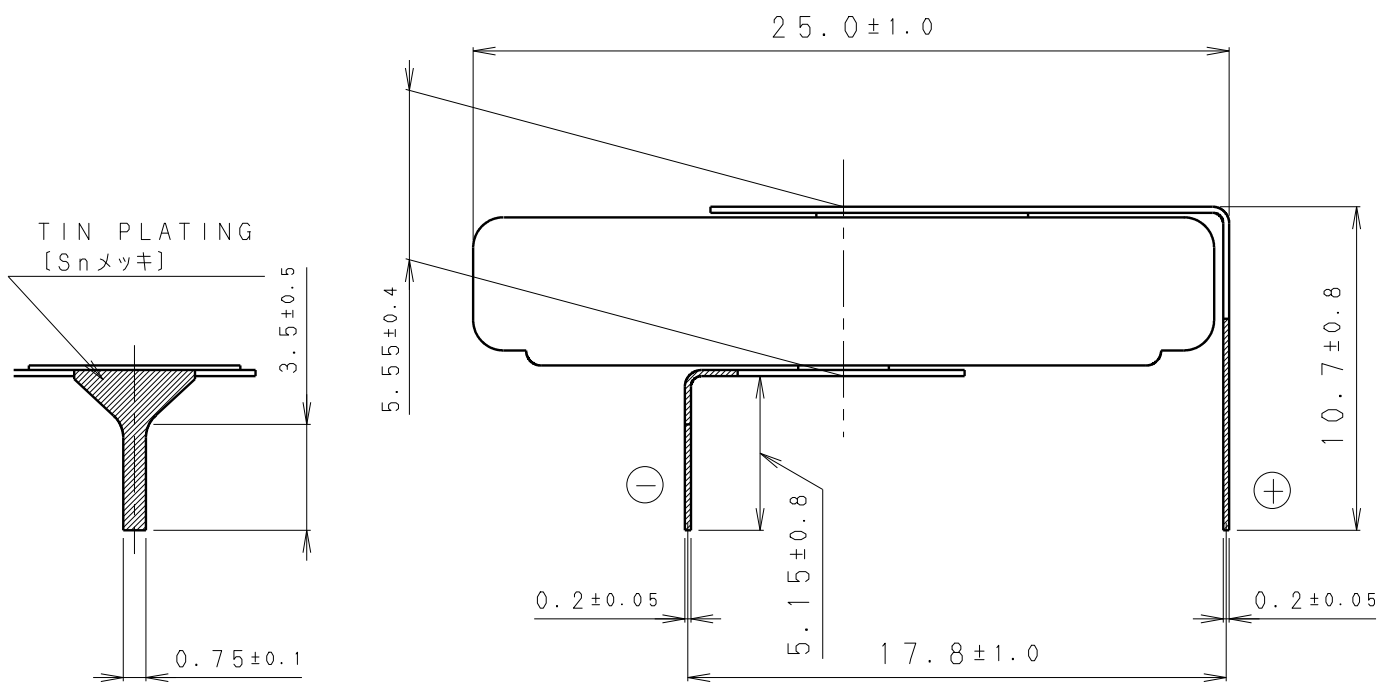
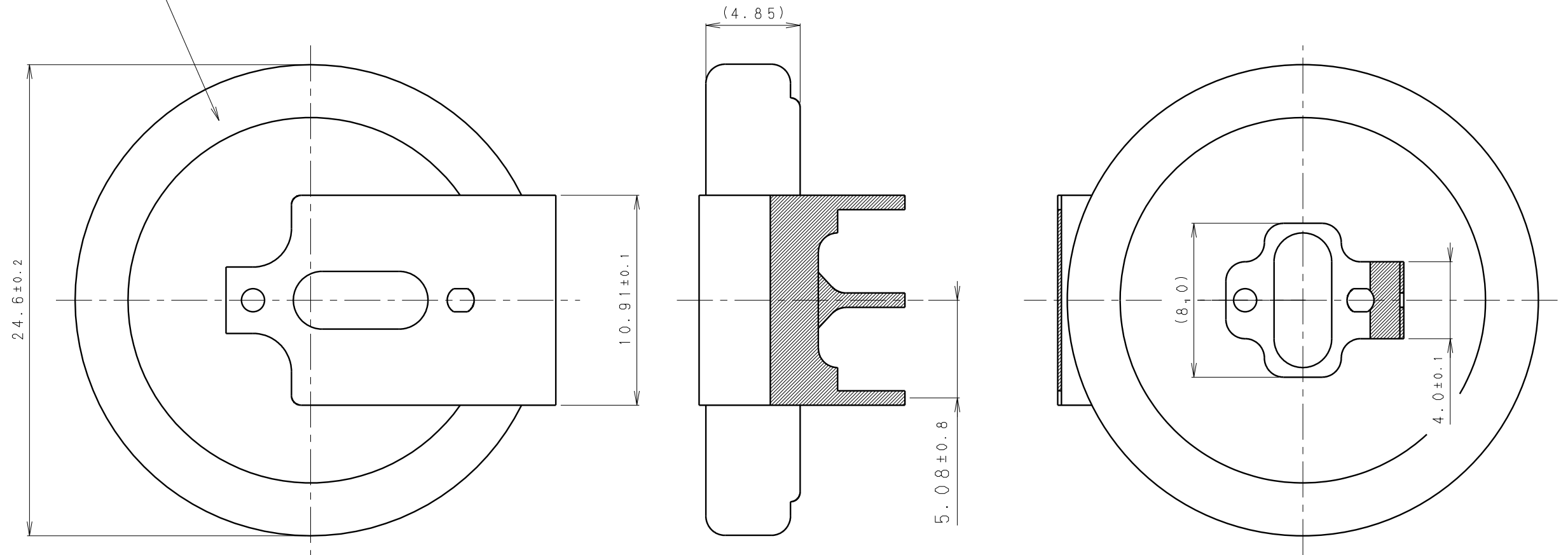


INSULATOR (YELLOW)  
[絶縁チューブ (黄色)]

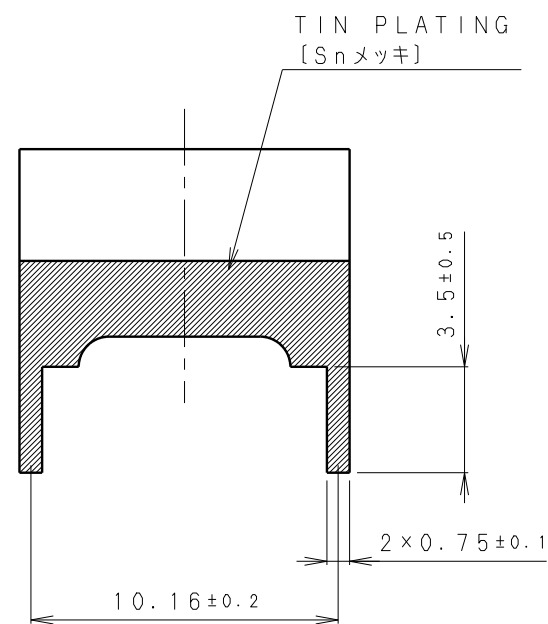
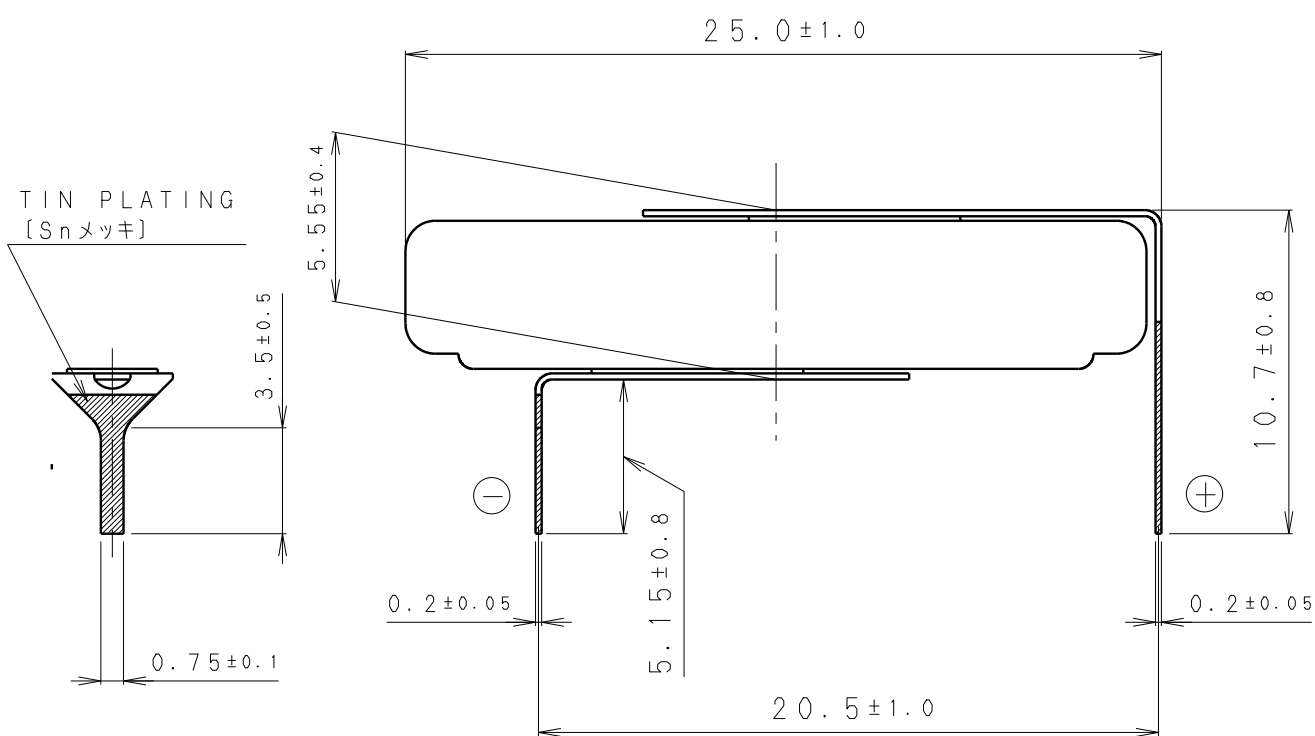
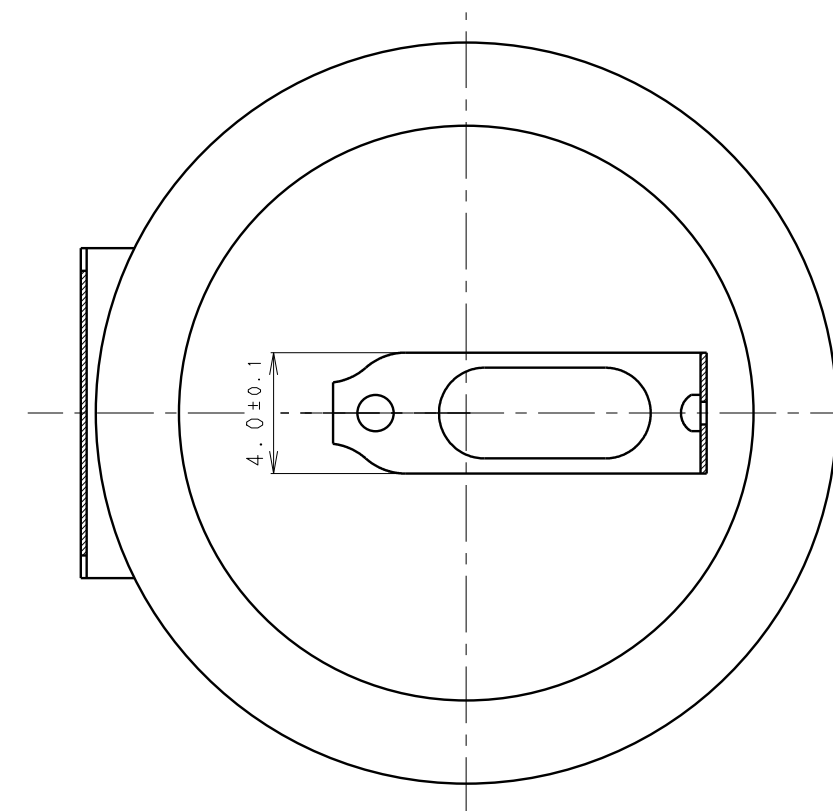
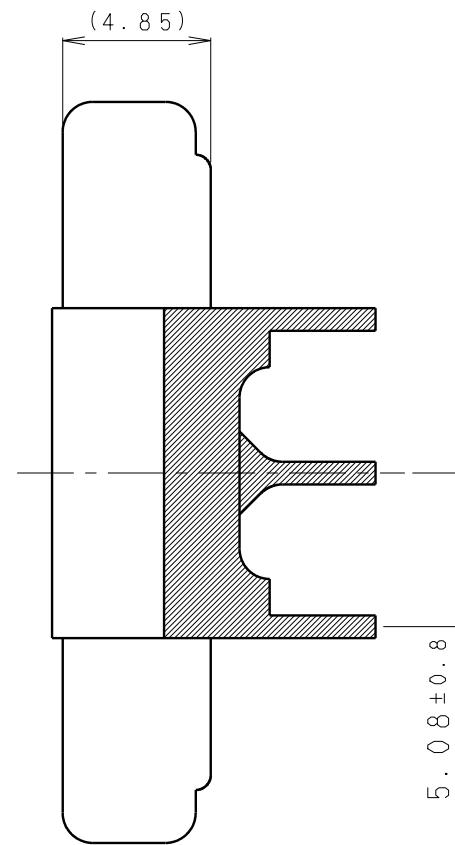
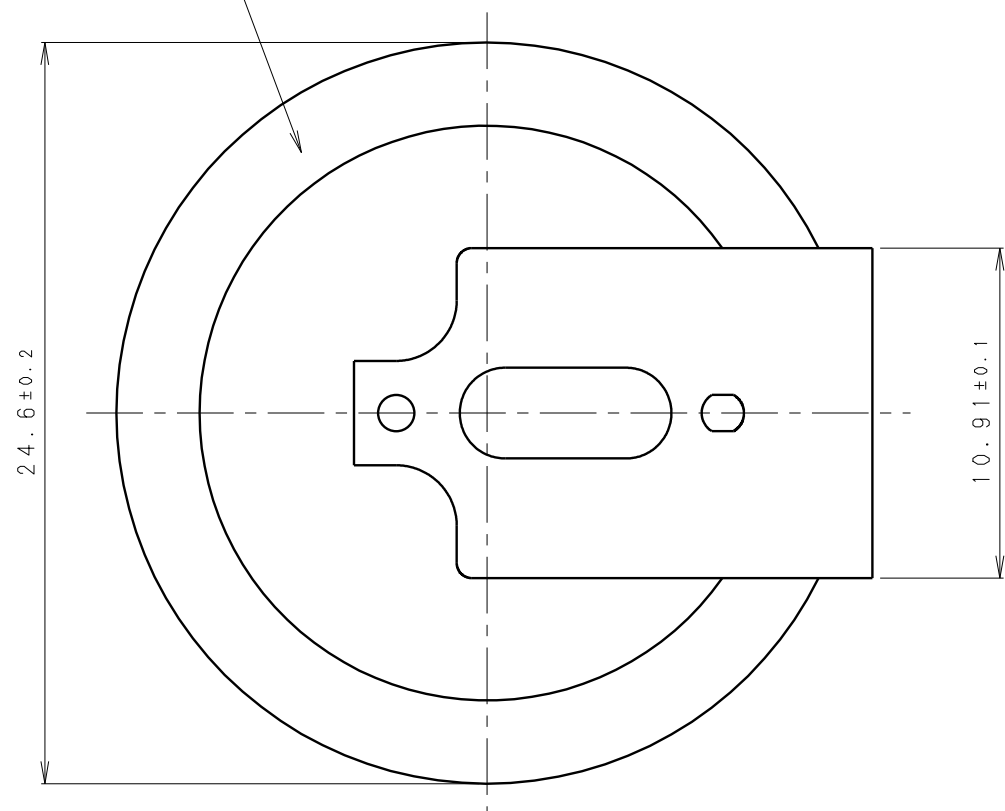


\* NOTE [注記]

- TAB PULLING STRENGTH OVER 19.6N [端子溶接強度: 19.6N以上]
- TAB MATERIAL: STAINLESS STEEL WITH TIN PLATING [端子材料: 基材 ステンレス/表面 部分Snメッキ]
- ( ): REFERENCE DIMENSION AND ANGLE [ ( ) 寸法、角度は参考値]

|             |              |       |         |
|-------------|--------------|-------|---------|
| PRODUCT NO. | CR-2450/G1AN | SCALE | 4:1     |
| DRAWING NO. | RUGA1Z       | REV.  | 0       |
|             |              |       | UNIT:mm |

INSULATOR (YELLOW)  
[絶縁チューブ (黄色)]



\* NOTE [注記]

- TAB PULLING STRENGTH OVER 19.6N [端子溶接強度: 19.6N以上]
- TAB MATERIAL: STAINLESS STEEL WITH TIN PLATING [端子材料: 基材 ステンレス/表面 部分Snメッキ]
- ( ): REFERENCE DIMENSION AND ANGLE [ ( ) 寸法、角度は参考値]

|             |              |       |         |
|-------------|--------------|-------|---------|
| PRODUCT NO. | CR-2450/G1BN | SCALE | 4:1     |
| DRAWING NO. | RUGB1Z       | REV.  | 0       |
|             |              |       | UNIT:mm |