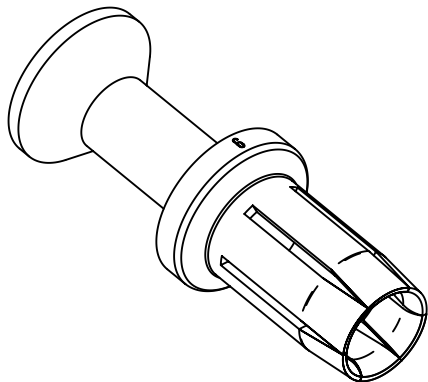
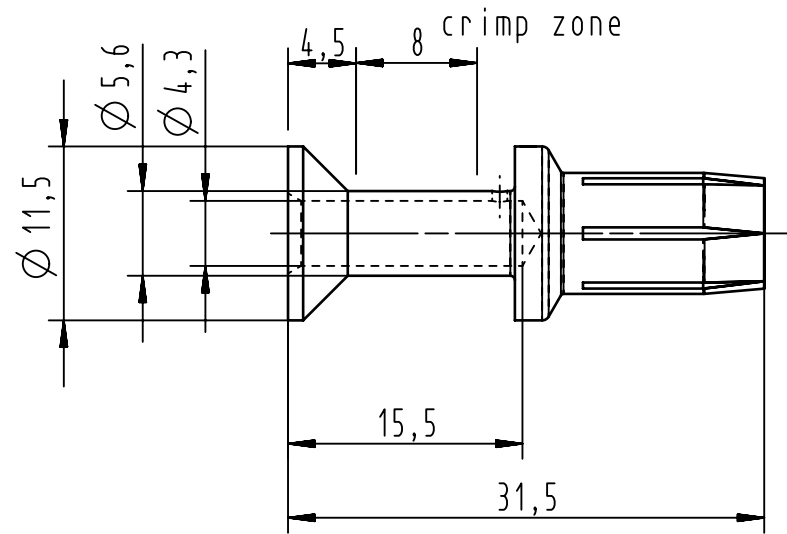


A

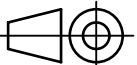

B

C

D



crimp zone acc.to DIN EN 46235; indicator 6  
 for stranded fine wire acc.to VDE 0295 class 5/ IEC 60228 class 5  
 wire gauge: 10qmm  
 stripping length: 15mm  
 surface: silver plated

 All Dimensions in mm Original Size DIN A4		Scale 2:1	Free size tol.			Ref.
 All rights reserved Department EL PD - DE		Created by MOELLERLI	Inspected by RUETERA	Standardisation SCHMIDTM	Date 2012-08-02	State Final Release
HARTING Electric GmbH & Co. KG D-32339 Espelkamp		Title Han TC70 female contact 10qmm				Doc-Key / ECM-Nr. 100180780/UGD/004/A
		Type TB	Number 09 11 000 6231			Rev. A Page 1/1