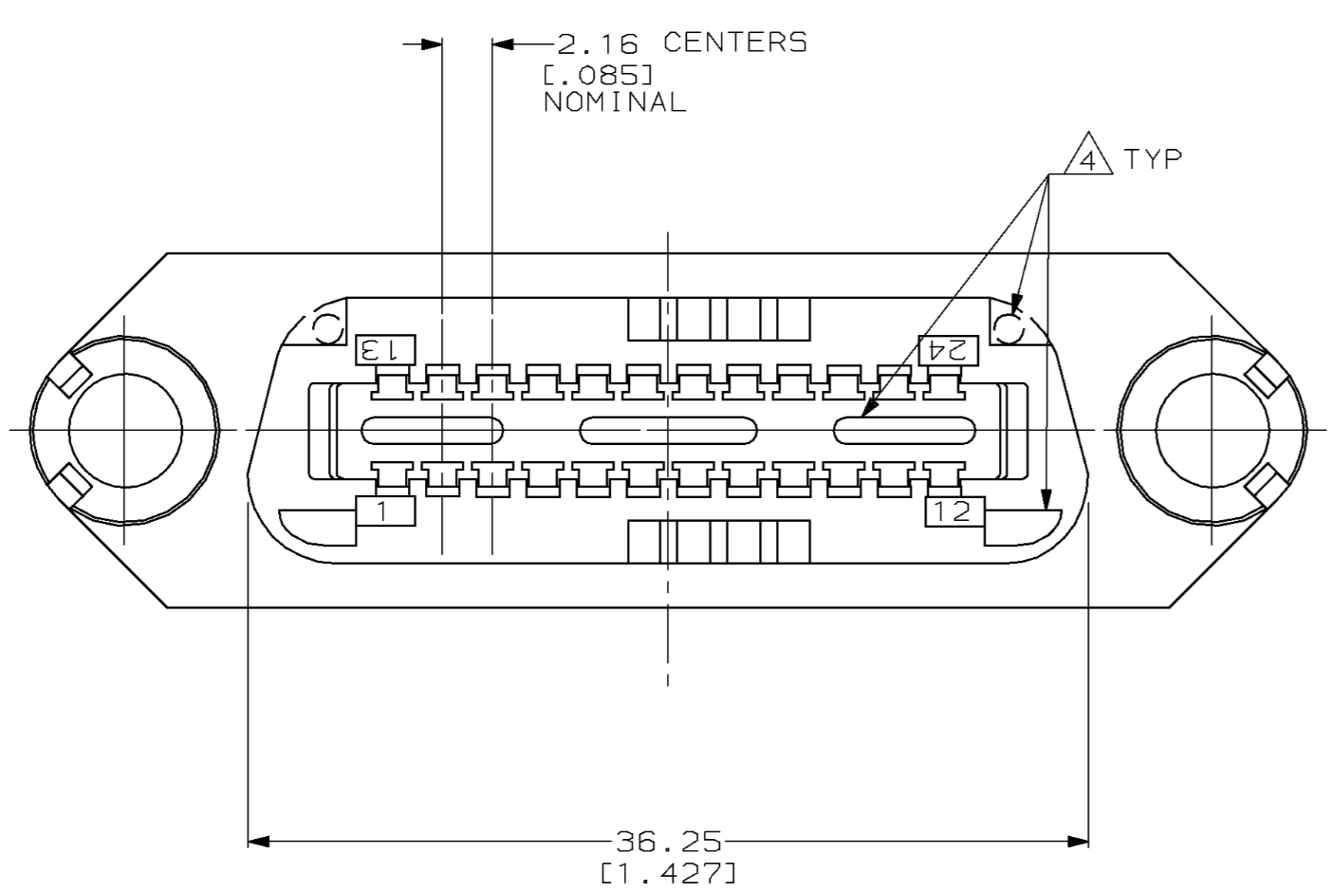
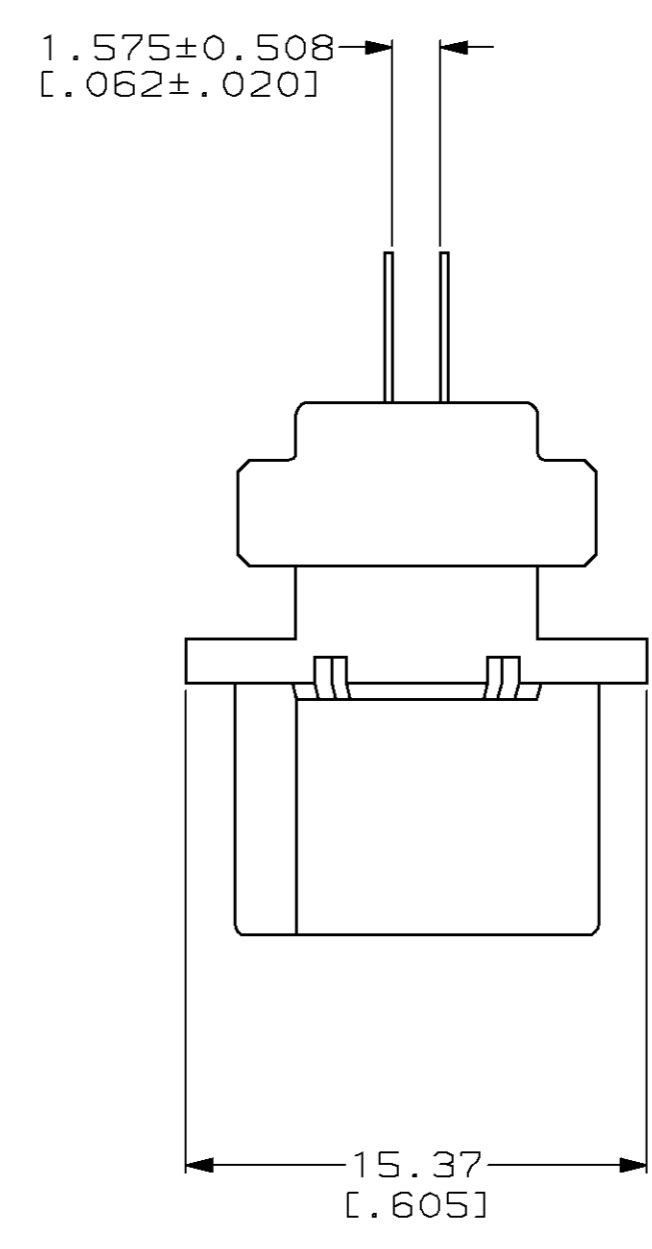
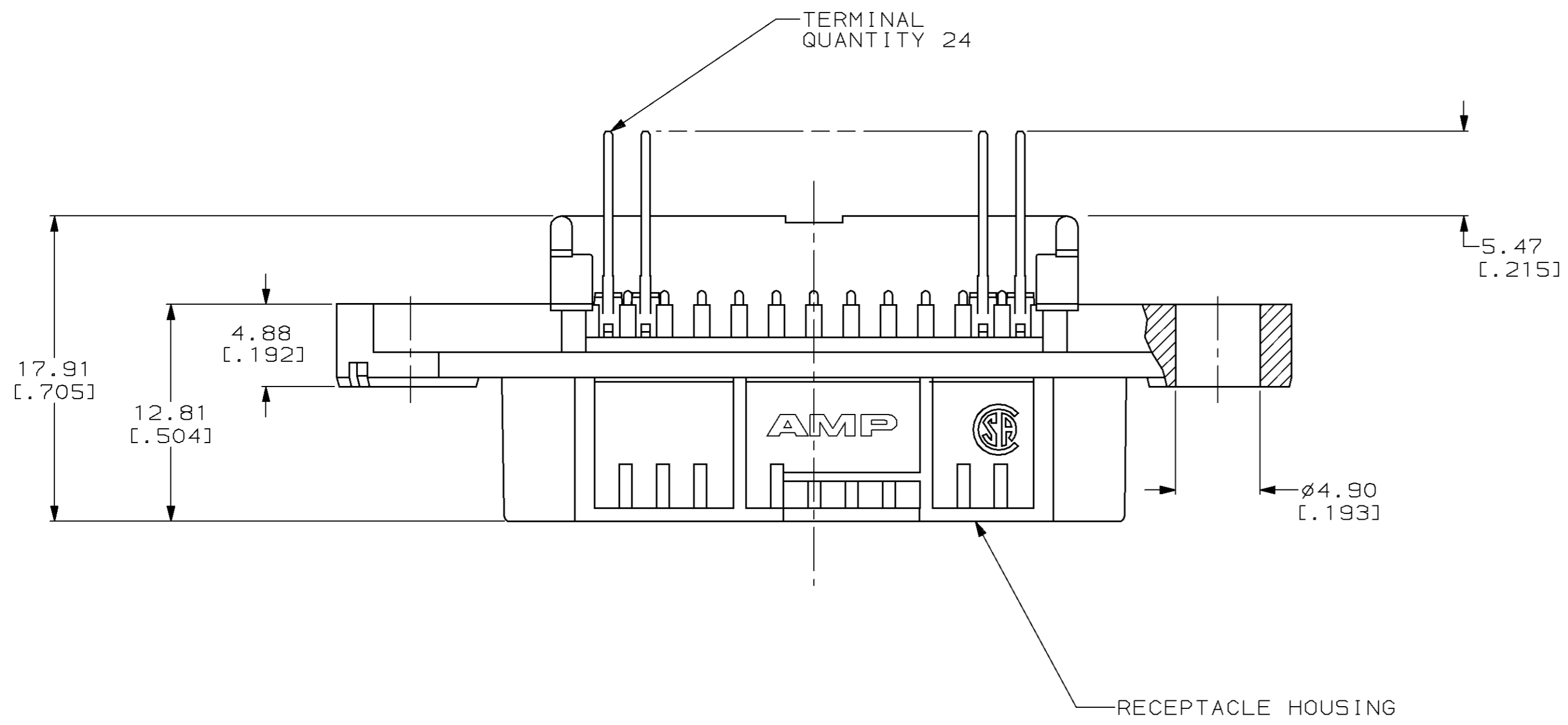
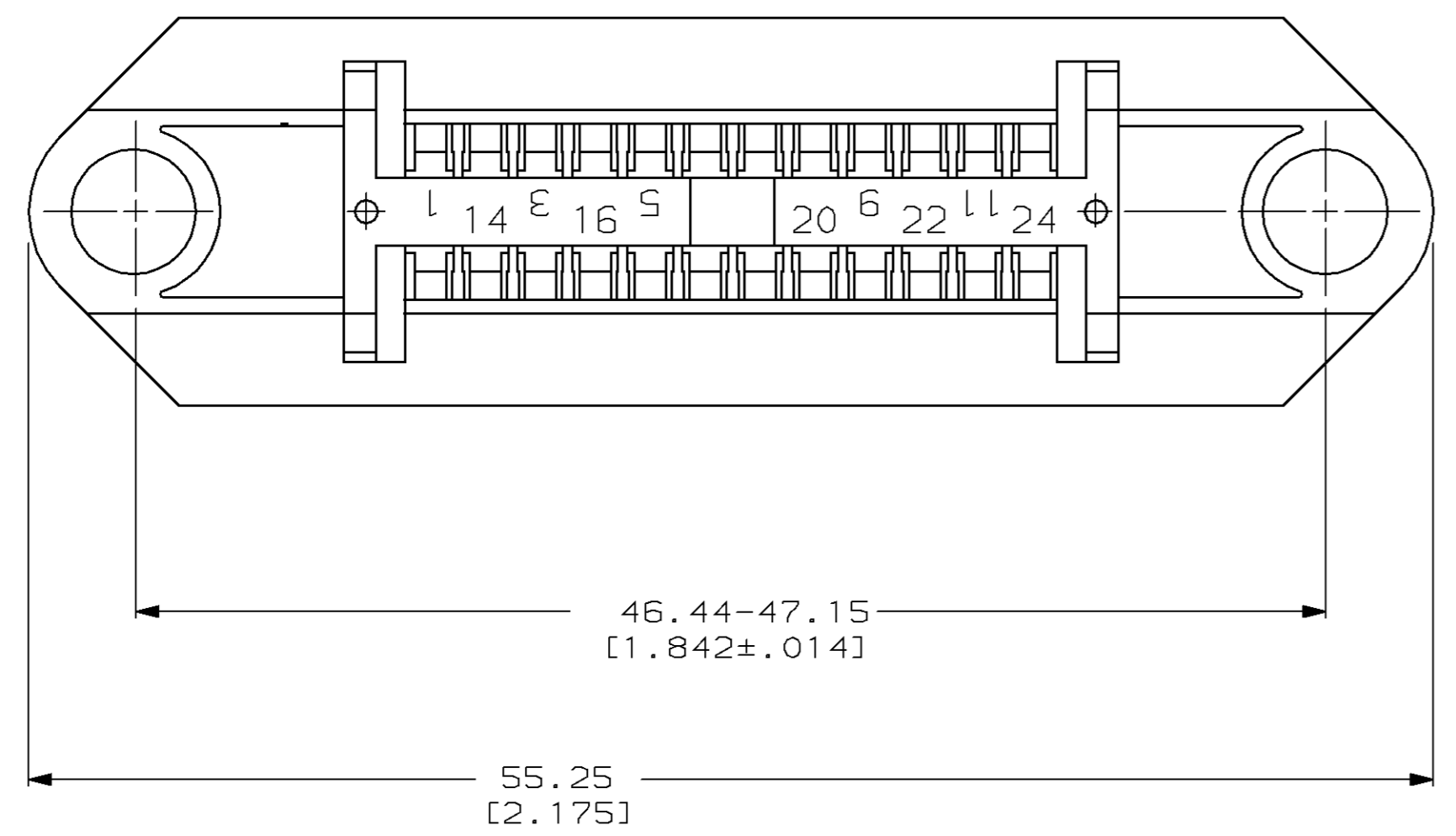


LOC		DIST		P		F		ZONE		LTR		REVISIONS		
AA	20											DESCRIPTION	DATE	APPD
												G REDWN: REV EC 0210-0834-94	7-28-94	BHS

- 1. DIMENSIONS ARE MAXIMUM UNLESS OTHERWISE SPECIFIED.
- 2. THE CONTACT SURFACES OF THE TERMINALS ARE COATED WITH LUBRICANT.
- 3. MATERIAL: HOUSING- THERMOPLASTIC, BLACK. TERMINALS- TAILS- TIN LEAD OVER NICKEL PLATED HIGH STRENGTH COPPER ALLOY. MATING SURFACE- LOCALIZED GOLD OVER NICKEL PLATED HIGH STRENGTH COPPER ALLOY.
- 4. THIS FEATURE IS A CORED AREA AND IS OPTIONAL ON PART.



THIS DRAWING IS A CONTROLLED DOCUMENT FOR AMP INCORPORATED. IT IS SUBJECT TO CHANGE AND THE CONTROLLING ENGINEERING ORGANIZATION SHOULD BE CONTACTED FOR THE LATEST REVISION.

DO NOT SCALE PRINT. UNLESS SPECIFIED DIMENSIONS IN mm [INCHES]		DR 7-28-94 B. SIMPSON		AMP Incorporated Harrisburg, PA 17105-3608	
TOLERANCES ON:		CHK 10-26-94 C. WHITT			
2 PLC DEC ± -		APPD 10-26-94 R. FLAHERTY		NAME	
3 PLC DEC ± -		APPD 11-2-94 J. HARRIS		RECEPTACLE ASSEMBLY, 24 POSITION, EDGE MOUNTING, CHAMP-LOK®	
ANGLES ± -		PRODUCT SPEC		SIZE	
MATERIAL		APPLICATION SPEC		CAGE CODE	
FINISH		WEIGHT		DRAWING NO	
				D 00779 C-552230	
				SCALE 4:1	
				SHEET 1 OF 1	

CUSTOMER DRAWING