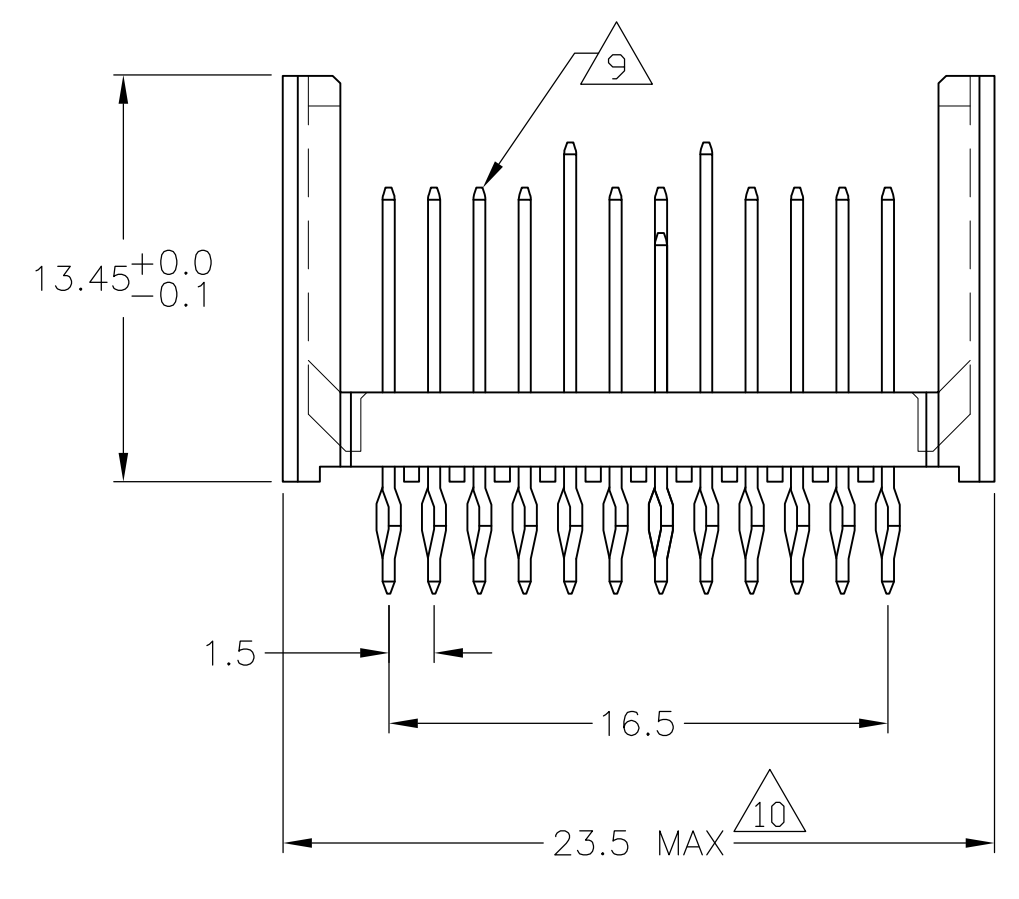
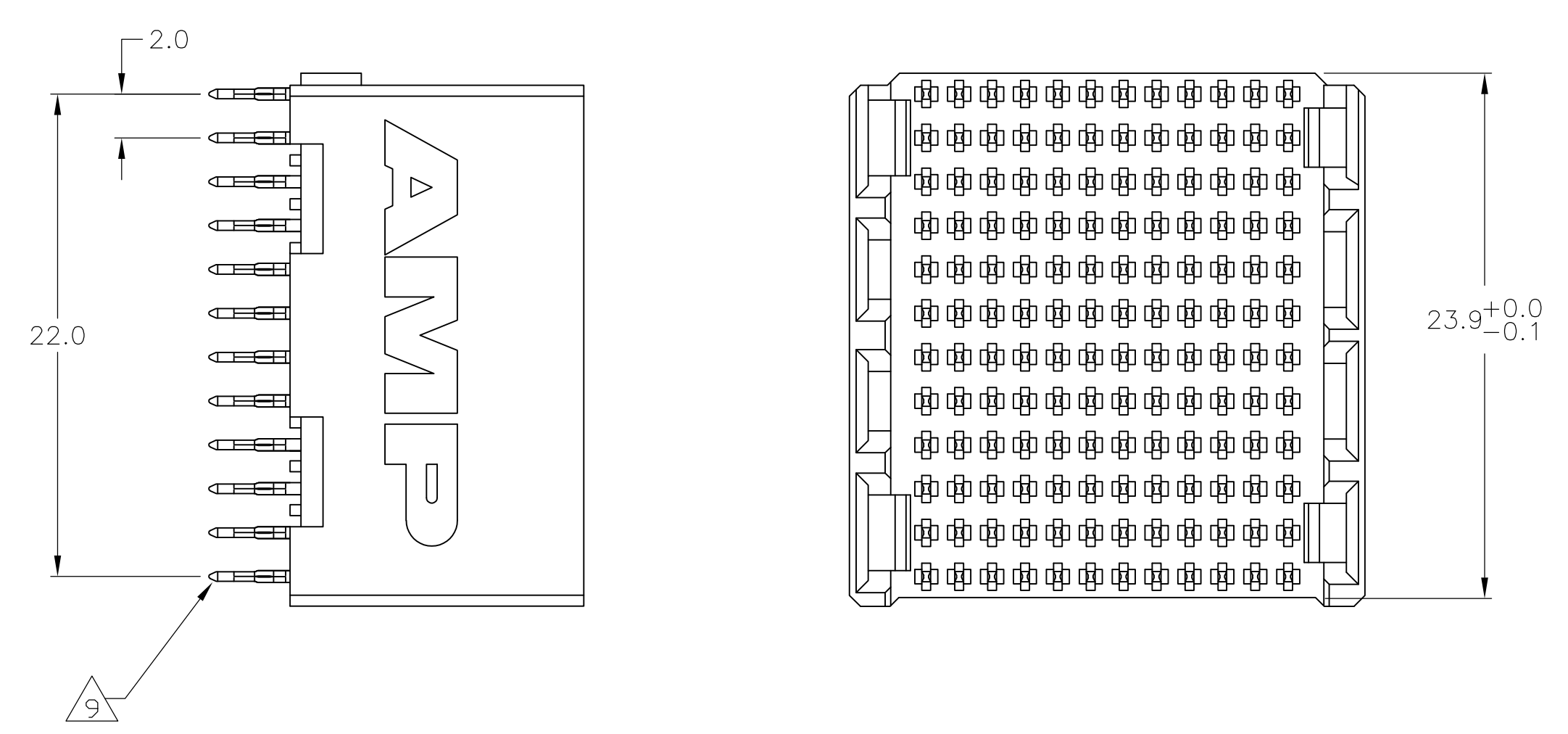
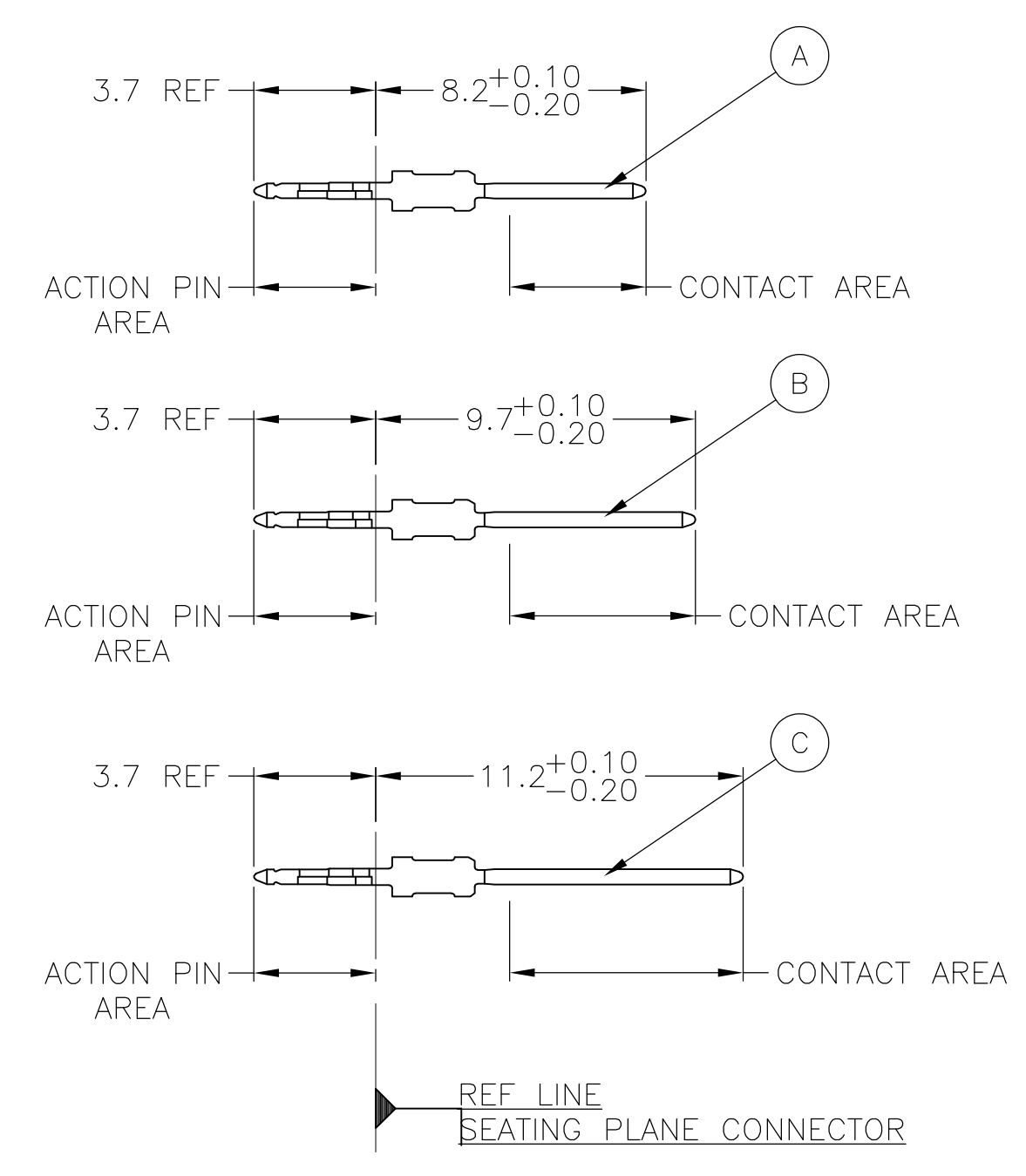


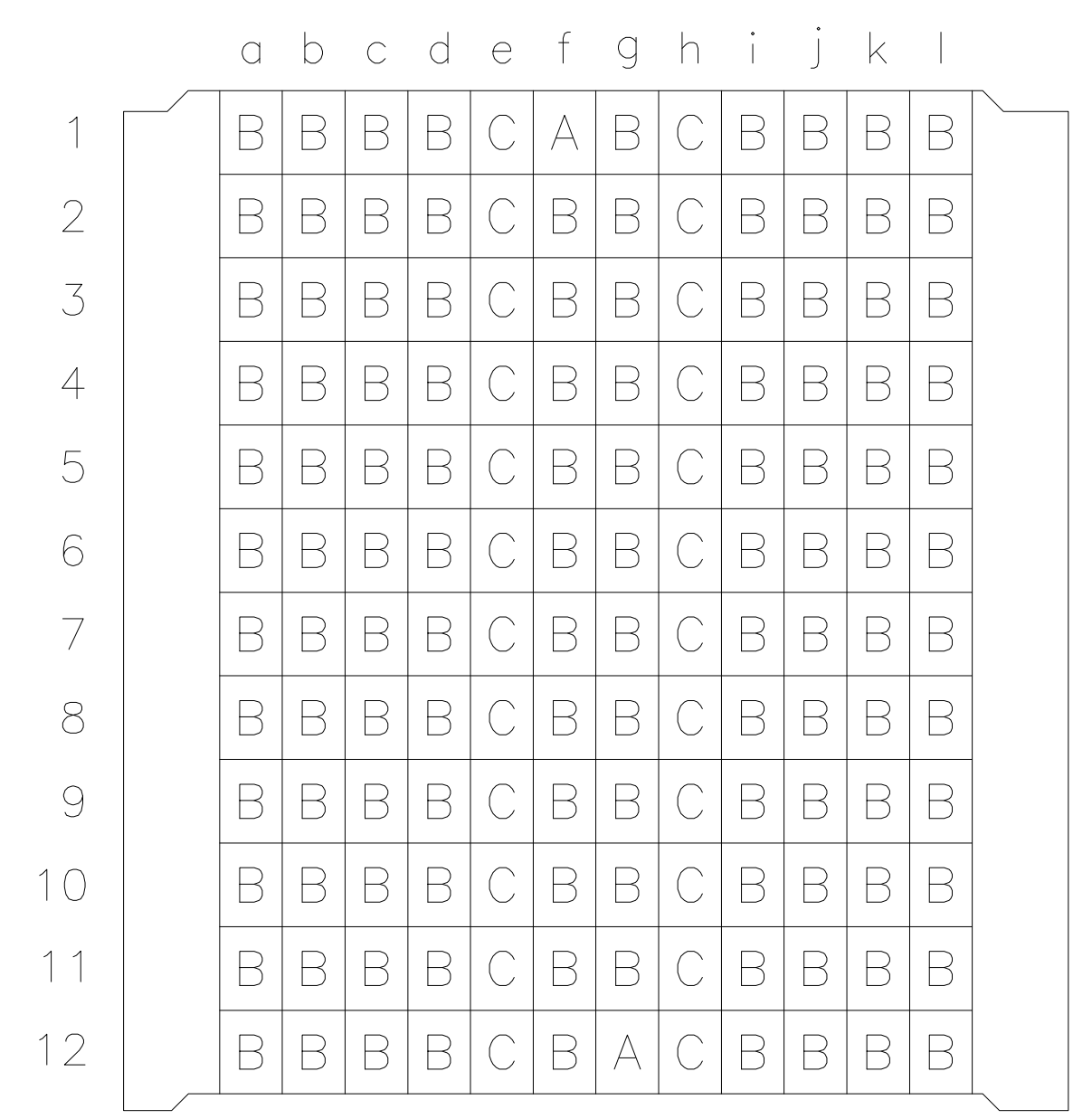
CONNECTOR ASSEMBLY EXAMPLARY LOADED $\triangle 8$



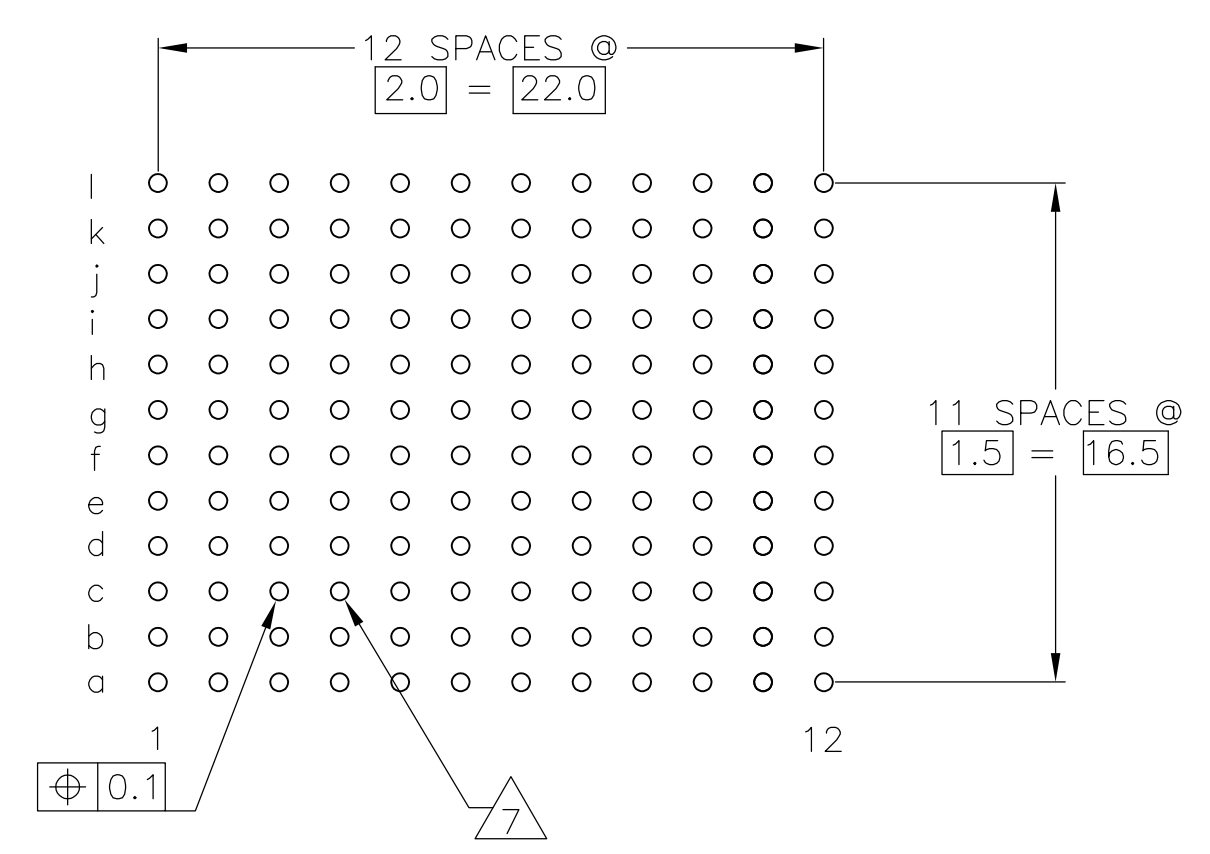
CONTACT DIMENSIONS SCALE 5:1



CONTACT LAYOUT



RECOMMENDED PCB-HOLE LAYOUT COMPONENT SIDE SHOWN



PLATED THRU HOLES PARAMETERS REFERENCE APPLICATION SPECIFICATION

$\triangle 2$	$\triangle 6$	$\triangle 11$	1-5120652-9
$\triangle 2$	$\triangle 5$	$\triangle 11$	5120652-9
$\triangle 2$	$\triangle 4$		5120652-4
$\triangle 2$	$\triangle 3$		5120652-1
FINISH		PART NUMBER	

THIS DRAWING IS A CONTROLLED DOCUMENT.		DIN B CARBO 26MAY05	tyco Tyco Electronics Corporation	
DIMENSIONS: mm		CIK G SKIPPER 26MAY05	Harrisburg, Pa 17105-3608	
TOLERANCES UNLESS OTHERWISE SPECIFIED:		APVD G SKIPPER 26MAY05	NAME MALE ASSEMBLY, Z-PACK 2mm HM, TYPE B, 12 ROW	
0 PLC ± -	1 PLC ± 0.1	PRODUCT SPEC	108-1738	
2 PLC ± -	3 PLC ± -	APPLICATION SPEC	114-1132	
4 PLC ± -	ANGLES ± -	WEIGHT	A1 00779 C=5120652	
MATERIAL $\triangle 1$	FINISH SEE TABLE	CUSTOMER DRAWING	SCALE 4:1	SHEET 1 OF 2 REV C

LOC	DIST	REVISIONS			
P	LTR	DESCRIPTION	DATE	DN	APVD
AD	00	SEE SHEET 1	-	-	-

- 1 MATERIAL:
CONTACT: PHOSPHOR BRONZE.
HOUSING: GLASS-FILLED POLYESTER.
- 2 GENERAL PLATING SPECIFICATION: UNDERPLATING
(ENTIRE CONTACT): 1.27μm MIN NICKEL AND ACTION
PIN: 0.5μm MIN TIN.
FOR PLATING OF MATING SURFACES SEE APPLICABLE
SPECIFICATION REFERENCE FOR EACH DASH NUMBER.
- 3 CONFORMS TO ALL TESTING ACCORDING TO IEC 61076-4-101
PERFORMANCE LEVEL 2.
- 4 CONFORMS TO ALL TESTING ACCORDING TO IEC 61076-4-101
PERFORMANCE LEVEL 1.
- 5 CONNECTOR TESTED AND QUALIFIED AGAINST TELCORDIA GR-1217-CORE QUALITY LEVEL 3,
CENTRAL OFFICE APPLICATIONS.
- 6 CONNECTOR TESTED AND QUALIFIED AGAINST TELCORDIA GR-1217-CORE QUALITY LEVEL 3,
UNCONTROLLED ENVIROMENT APPLICATIONS.
- 7 PLATED-THROUGH HOLES AT 2x2mm SQUARE GRID
PATTERN DEFINED BY CONTACT LAYOUT.
- 8 FOR ACTUAL PIN LOADING SEE "CONTACT LAYOUT".
- 9 FOR ACTUAL PIN DIMENSIONS SEE "CONTACT DIMENSIONS".
- 10 TO BE MEASURED AT BOTTOM OF SHROUD.
- 11 CONNECTOR LUBRICATED WITH BELCORE APPROVED LUBRICANT,
TECHNICAL REFERENCE: TR-NWT-001217 ISSUE 1, SEP 1992.

THIS DRAWING IS A CONTROLLED DOCUMENT.		DIN E CARBO	26MAY05	tyco Electronics	Tyco Electronics Corporation Harrisburg, Pa 17105-3608	
DIMENSIONS: mm		CIK G SKIPPER	26MAY05		NAME MALE ASSEMBLY, Z-PACK 2mm HM, TYPE B, 12 ROW	
TOLERANCES UNLESS OTHERWISE SPECIFIED:		APVD G SKIPPER	26MAY05	PRODUCT SPEC 108-1738		
0 PLC ± -		APPLICATION SPEC 114-1132		SIZE	CAGE CODE	DRAWING NO
1 PLC ± 0.1		RESTRICTED TO		A1	00779	5120652
2 PLC ± -		MATERIAL SEE SHEET 1		WEIGHT	CUSTOMER DRAWING	
3 PLC ± -		FINISH SEE SHEET 1		SCALE	4:1	SHEET 2 OF 2
4 PLC ± -		REVISIONS		REV	C	
ANGLES ± ±						