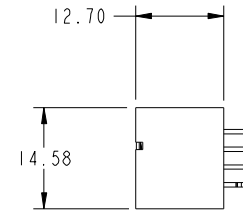
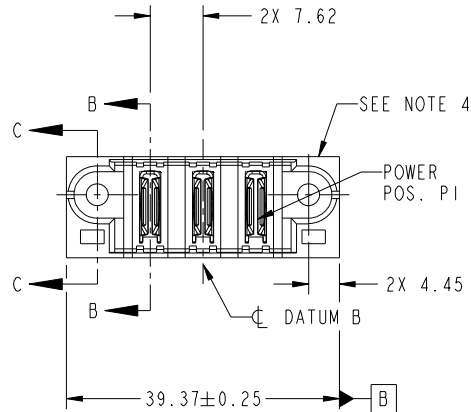


Tous droits strictement reserves. Reproduction ou communication a des tiers interdite sous quelque forme que ce soit sans autorisation écrite du propriétaire. Propriete de c FCI. Droits de reproduction FCI.



All rights strictly reserved. Reproduction or issue to third parties in any form whatever is not permitted without written authority from the proprietor. Property of FCI. Copyright FCI.

PRODUCT NO.	POWER				
	E1	P1	P2	P3	E2
51952-174-- NOTE ③					



CODE	DIM "M" MATING LENGTH	CONTACT TYPE
PA	[N/A]	POWER
HA	[N/A]	HOLD-DOWN

mat'l code				tolerances unless otherwise specified				CUSTOMER			
ltr	ecn no.	dr	date	linear	0.X ± 0.5		COPY		www.fciconnect.com		
A	DG10-0218	SM	06/08/10		0.XX ± 0.25		projection		title		
					0.XXX ± 0.1				3ACP VERTICAL SOLDER HEADER		
				angles	0° + 2°		MIM		product family		
				dr	Shower Ma	06/08/10	← MIM →		PwrBlade		
				enrg	Shower Ma	06/08/10	scale		code		
				chr	PM ZHENG	06/08/10	1:1		213		
				appd	JOSEPH HSIA	06/08/10	A		sheet		
sheet index		revision sheet		A	A	A	A	51952-174		1 of 4	
		1	2	3	4			cage code		4	
								22526			

Pro/E

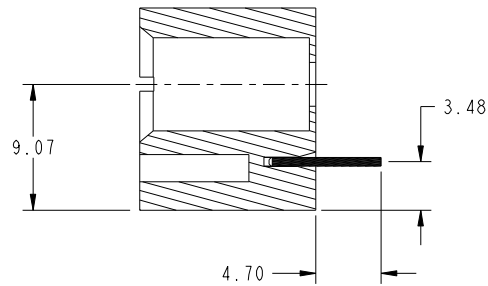
cage code 22526

Tous droits strictement reserves. Reproduction ou communication a des tiers interdite sous quelque forme que ce soit sans autorisation ecrite du proprietaire. Propriete de c FCI. Droits de reproduction FCI.

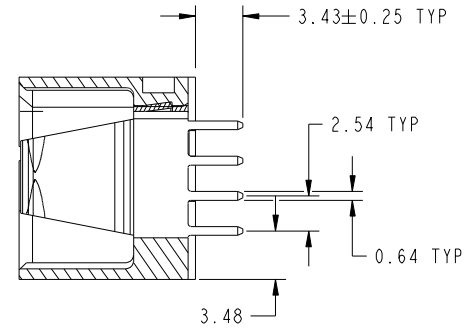
All rights strictly reserved. Reproduction or issue to third parties in any form whatever is not permitted without written authority from the proprietor. Property of FCI. Copyright FCI.



PRODUCT NUMBER
51952-174__
NOTE 3



SECTION C-C
SCALE 2:1



SECTION B-B
SCALE 2:1

mat'l code				tolerances unless otherwise specified				CUSTOMER		FCI	
ltr	ecn no.	dr	date	linear	0.X ± 0.5			COPY		www.fciconnect.com	
A					0.XX ± 0.25			projection		title	
					0.XXX ± 0.1					3ACP VERTICAL SOLDER HEADER	
				angles	0° ± 2°					product family PwrBlade code	
				dr	Shower Ma	06/08/10	scale		size		213
				enr	Shower Ma	06/08/10	1:1		dwg no		sheet
				chr	PM ZHENG	06/08/10	A		51952-174		2 of 4
				appd	JOSEPH HSIA	06/08/10					
sheet index		revision sheet									

cage code 22526

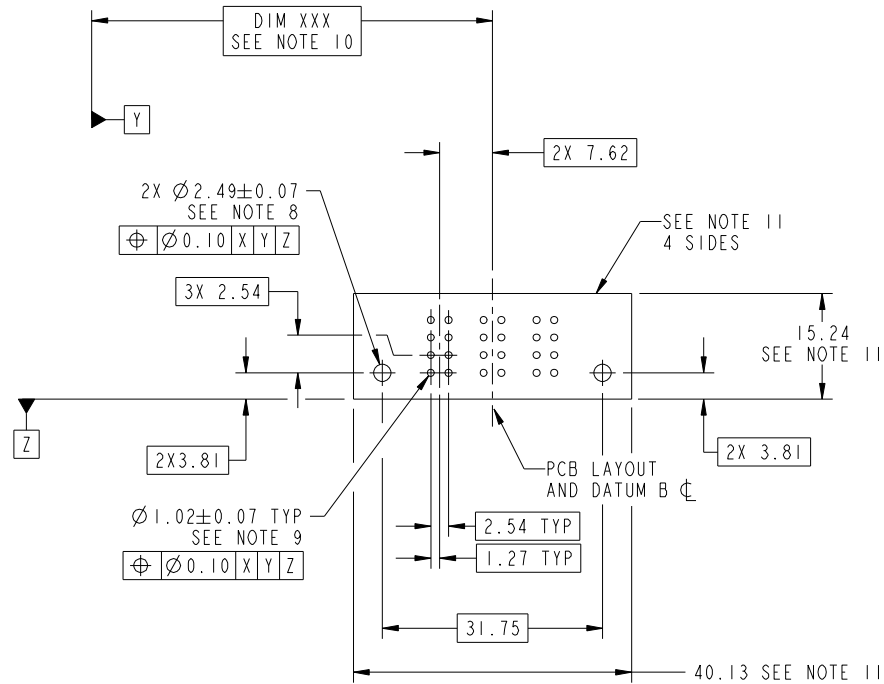
Pro/E

Tous droits strictement reserves. Reproduction ou communication a des tiers interdite sous quelque forme que ce soit sans autorisation écrite du propriétaire. Propriete de c FCI. Droits de reproduction FCI.



All rights strictly reserved. Reproduction or issue to third parties in any form whatever is not permitted without written authority from the proprietor. Property of FCI. Copyright FCI.

PRODUCT NUMBER
51952-174__
NOTE 3



RECOMMENDED PCB LAYOUT

mat'l code				tolerances unless otherwise specified		CUSTOMER		FCI	
ltr	ecn no.	dr	date	linear	0.X ±0.5	COPY		www.fciconnect.com	
A					0.XX ±0.25	projection		title 3ACP	
				angles	0.XXX ±0.1			VERTICAL SOLDER HEADER	
				dr	0° ±2°	MIM		product family PwrBlade code 213	
				engr	Shower Ma 06/08/10			size dwg no 213	
				chr	Shower Ma 06/08/10	scale 1:1		sheet 3 of 4	
				appd	PM ZHENG 06/08/10	A		51952-174	
					JOSEPH HSIA 06/08/10				
sheet index	revision sheet								

cage code 22526

Pro/E

Tous droits strictement reserves. Reproduction ou communication a des tiers interdite sous quelque forme que ce soit sans autorisation écrite du propriétaire. Propriete de c FCI. Droits de reproduction FCI.

All rights strictly reserved. Reproduction or issue to third parties in any form whatever is not permitted without written authority from the proprietor. Property of FCI. Copyright FCI.



PRODUCT NUMBER
51952-174--
NOTE 3

NOTES:

1. DIMENSIONS AND TOLERANCES ARE IN ACCORDANCE WITH ASME Y14.5M, 1994 UNLESS OTHERWISE SPECIFIED.

CONNECTOR NOTES:

- 2 HOUSING MATERIAL: UL 94 V-0 GLASS FILLED HIGH-TEMP THERMOPLASTIC
POWER CONTACT MATERIAL: COPPER ALLOY
 - 3. SEE ITEM 1 & 2 IN PRINT 10064183 FOR PLATING SPEC OF 51952-174 AND 51952-174LF RESPECTIVELY.
 - 4 MANUFACTURER'S NAME, DATE CODE AND OPTIONAL P/N TO APPEAR ON THIS SURFACE. THE P/N CAN BE OMITTED IF THERE IS NOT ENOUGH SPACE ON THIS SURFACE.
 - 5. PRODUCT SPECIFICATION GS-12-149.
APPLICATION SPECIFICATION BUS-20-067.
 - 6. PACKAGED IN TRAYS.
- PCB NOTES:
- 7. ALL HOLE DIAMETERS ARE FINISHED HOLE SIZE.
 - 8. MOUNTING HOLES, WHERE APPLICABLE, ARE UNPLATED.

- 9 $\varnothing 1.151 \pm 0.025$ DRILLED HOLES PLATED WITH 0.008 MIN SnPb OR Sn OVER .001 [0.03] TO 0.08 Cu PLATING TO ACHIEVE $\varnothing 1.02 \pm 0.07$ HOLE.
- 10 "DIM XXX" TO BE DETERMINED BY THE CUSTOMER.
- 11 CONNECTOR KEEP-OUT ZONE.

mat'l code				tolerances unless otherwise specified		CUSTOMER		FCI	
ltr	ecn no.	dr	date	linear	0.X ± 0.5	COPY		www.fciconnect.com	
A				linear	0.XX ± 0.25	projection		title	
				angles	0.XXX ± 0.1			3ACP VERTICAL SOLDER HEADER	
				dr	0° ± 2°			product family PwrBlade code	
				enrg	Shower Ma 06/08/10	scale		size	
				chr	Shower Ma 06/08/10	1:1		dwg no	
				appd	PM ZHENG 06/08/10	A		51952-174	
					JOSEPH HSIA 06/08/10			sheet	
sheet index		revision sheet						4 of 4	

cage code 22526

Pro/E