

## SMSTBA 2,5/10-G

Order No.: 1769887



<http://eshop.phoenixcontact.de/phoenix/treeViewClick.do?UID=1769887>

Header, Nominal current: 12 A, Nom. voltage: 250 V, Pitch: 5 mm,  
Number of positions: 10, Color: green, Assembly: Soldering

### Commercial data

EAN	4017918035105
Pack	50 pcs.
Customs tariff	85366990
Weight/Piece	0.0072 KG
Catalog page information	Page 253 (CC-2009)

### Product notes

WEEE/RoHS-compliant since:  
01/01/2003



<http://www.download.phoenixcontact.com>  
Please note that the data given here has been taken from the online catalog. For comprehensive information and data, please refer to the user documentation. The General Terms and Conditions of Use apply to Internet downloads.

### Technical data

#### Dimensions / positions

Pitch	5 mm
Dimension a	45 mm
Number of positions	10
Pin dimensions	1 x 1 mm
Hole diameter	1.4 mm

**Technical data**

Insulating material group	IIIa
Rated surge voltage (III/3)	4 kV
Rated surge voltage (III/2)	4 kV
Rated surge voltage (II/2)	4 kV
Rated voltage (III/2)	320 V
Rated voltage (II/2)	400 V
Connection in acc. with standard	EN-VDE
Nominal current $I_N$	12 A
Nominal voltage $U_N$	250 V
Maximum load current	12 A
Insulating material	PBT
Inflammability class acc. to UL 94	V0

**Certificates / Approvals**



Certification

CB, CSA, CUL, GOST, UL, VDE-PZI

**CSA**

Nominal voltage $U_N$	300 V
Nominal current $I_N$	10 A

**CUL**

Nominal voltage $U_N$	300 V
Nominal current $I_N$	10 A

**UL**

Nominal voltage $U_N$	300 V
Nominal current $I_N$	10 A

**Accessories**

Item	Designation	Description
<b>Assembly</b>		
1755477	MSTB-BL	Keying cap, for forming sections, plugs onto header pin, green insulating material
<b>Marking</b>		
0804183	SK 5/3,8:FORTL.ZAHLEN	Marker card, printed horizontally, self-adhesive, 12 identical decades marked 1-10, 11-20 etc. up to 91-(99)100, sufficient for 120 terminal blocks
<b>Plug/Adapter</b>		
1734401	CR-MSTB	Coding section, inserted into the recess in the header or the inverted plug, red insulating material

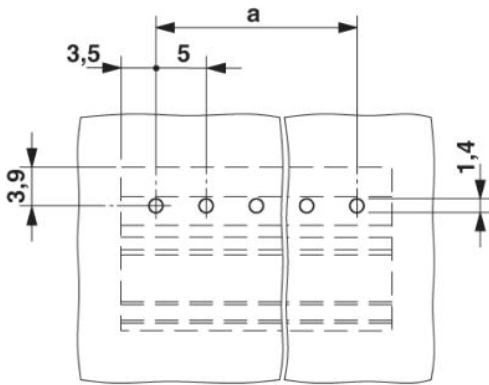
**Additional products**

Item	Designation	Description
<b>Assembly</b>		
1909294	FKCT 2,5/10-ST	Plug component, Nominal current: 12 A, Nom. voltage: 250 V, Pitch: 5 mm, Number of positions: 10, Connection type: Spring-cage conn., Color: green
<b>General</b>		
1910432	FKC 2,5/10-ST	Plug component, Nominal current: 12 A, Nom. voltage: 250 V, Pitch: 5 mm, Number of positions: 10, Connection type: Spring-cage conn., Color: green
1909799	FKCVR 2,5/10-ST	Plug component, Nominal current: 12 A, Nom. voltage: 250 V, Pitch: 5 mm, Number of positions: 10, Connection type: Spring-cage conn.
1910115	FKCVW 2,5/10-ST	Plug component, Nominal current: 12 A, Nom. voltage: 250 V, Pitch: 5 mm, Number of positions: 10, Connection type: Spring-cage conn.
1779495	FRONT-MSTB 2,5/10-ST	Plug component, Nominal current: 12 A, Nom. voltage: 250 V, Pitch: 5 mm, Number of positions: 10, Connection type: Screw connection, Color: green
1754601	MSTB 2,5/10-ST	Plug component, Nominal current: 12 A, Nom. voltage: 250 V, Pitch: 5 mm, Number of positions: 10, Connection type: Screw connection, Color: green
1759004	MSTB 2,5/10-STZ	Plug component, Nominal current: 12 A, Nom. voltage: 250 V, Pitch: 5 mm, Number of positions: 10, Connection type: Screw connection, Color: green

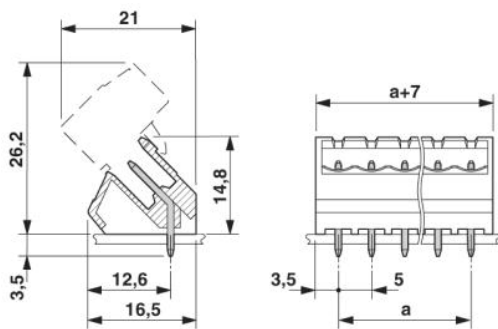
1765852	MSTBP 2,5/10-ST	Plug component, Nominal current: 12 A, Nom. voltage: 250 V, Pitch: 5 mm, Number of positions: 10, Connection type: Screw connection, Color: green
1779916	MSTBT 2,5/10-ST	Plug component, Nominal current: 12 A, Nom. voltage: 250 V, Pitch: 5 mm, Number of positions: 10, Connection type: Screw connection, Color: green
1792090	MVSTBR 2,5/10-ST	Plug component, Nominal current: 12 A, Nom. voltage: 250 V, Pitch: 5 mm, Number of positions: 10, Connection type: Screw connection, Color: green
1792605	MVSTBW 2,5/10-ST	Plug component, Nominal current: 12 A, Nom. voltage: 250 V, Pitch: 5 mm, Number of positions: 10, Connection type: Screw connection, Color: green
1768833	SMSTB 2,5/10-ST	Plug component, Nominal current: 12 A, Nom. voltage: 250 V, Pitch: 5 mm, Number of positions: 10, Connection type: Screw connection, Color: green

**Diagrams/Drawings**

Drilling plan/solder pad geometry



Dimensioned drawing



**Address**

PHOENIX CONTACT Inc., USA  
586 Fulling Mill Road  
Middletown, PA 17057, USA  
Phone (800) 888-7388  
Fax (717) 944-1625  
<http://www.phoenixcon.com>



© 2010 Phoenix Contact  
Technical modifications reserved;