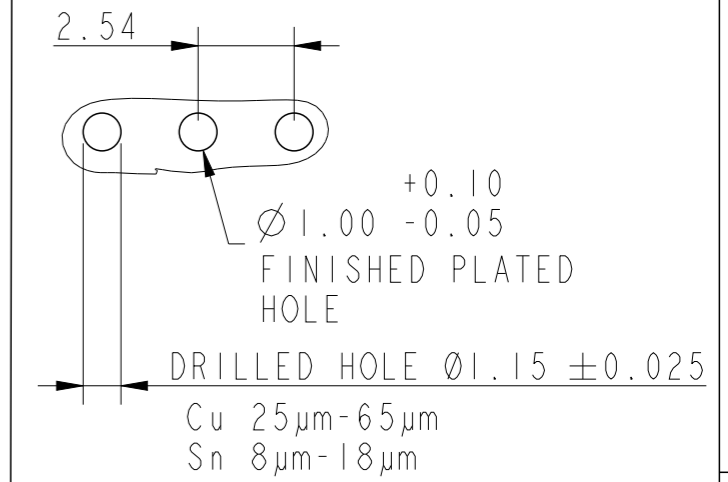
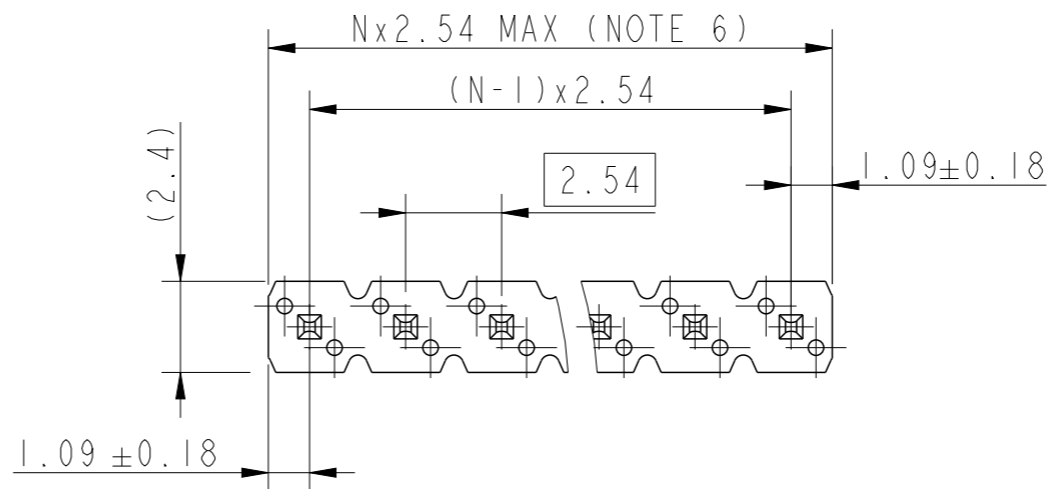


PRODUCT NUMBER

10124323-4XX-XXLF

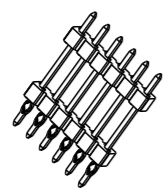
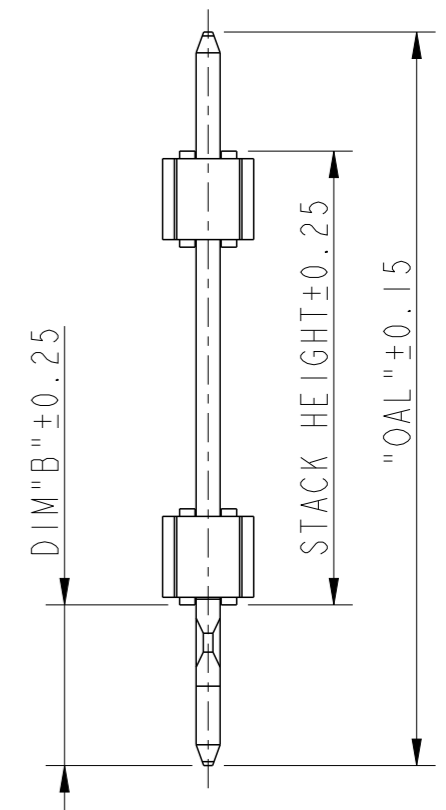
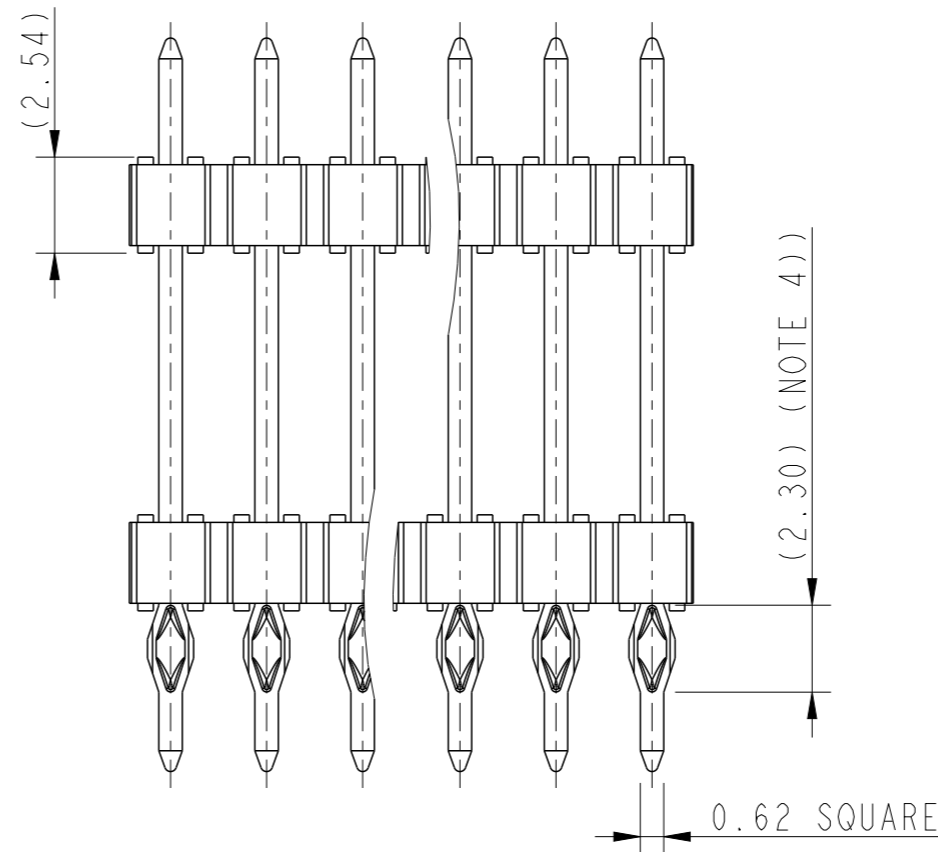
- ROHS COMPATIBLE, SEE NOTE 5
- TOTAL NB OF POSITION 01 TO 36
- PACKAGING, SEE NOTE 3
- PIN STYLE, SEE TABLE
- PLATING :
  - 4 : 2µm MIN MATE TIN
  - OVER 1.27µm Ni MIN



PIN STYLE	OAL	STACK HEIGHT	DIM"B"
01	19.40	12.00	4.40
02	17.70	7.95	3.40

NOTES :

1. HOUSING MATERIAL : HIGH TEMP THERMOPLASTIC UL94-V-0, COLOR : BLACK  
PIN MATERIAL : COPPER ALLOY
2. 9N MIN RETENTION IN EITHER DIRECTION
3. PACKAGING : BULK
4. THIS PRODUCT IS INTENDED TO BE USED WITH 1.6mm PCB THICKNESS
5. ROHS COMPATIBLE PRODUCT SPECIFICATIONS :
  - a) "LF" MEANS THE PRODUCT IS LEAD-FREE, 2µm MINIMUM MATE TIN OVER 1.27µm MINIMUM NICKEL UNDERPLATE.
  - b) MANUFACTURING PROCESS COMPATIBILITY :  
- THE HOUSING WILL WITHSTAND EXPOSURE TO 260°C ± 5°C
  - c) LABELLING :  
- MEETS PACKAGING SPECS AS PER GS-14-920
  - d) LEGAL STATEMENT :  
- SEE GS-47-0004
6. TO DETERMINE DIMENSIONS :  
N = NUMBER OF POSITION  
EXAMPLE : 8 POS = N x 2.54 = 20.52mm
7. PRODUCT SPECIFICATION AS PER BUS-12-117



SCALE 1:1

spec ref	dr	Aymeric Soudy	2014/02/14	projection	size	A3	scale	5:1
tolerance std	eng	Aymeric Soudy	2014/02/17		ecn no	-	rel level <b>Released</b>	
TOLERANCES UNLESS OTHERWISE SPECIFIED	chr	Laurent Mulin	2014/02/17		product family	BSTIK		
	appr	Ludovic Meyer	2014/02/17			dwg no 10124323	rev <b>A</b>	
	surface ✓	linear	0.X ± 0.XX ± 0.XXX ±	angular	0° ±	cat. no.	-	Product - Customer Drw