

DETAILS

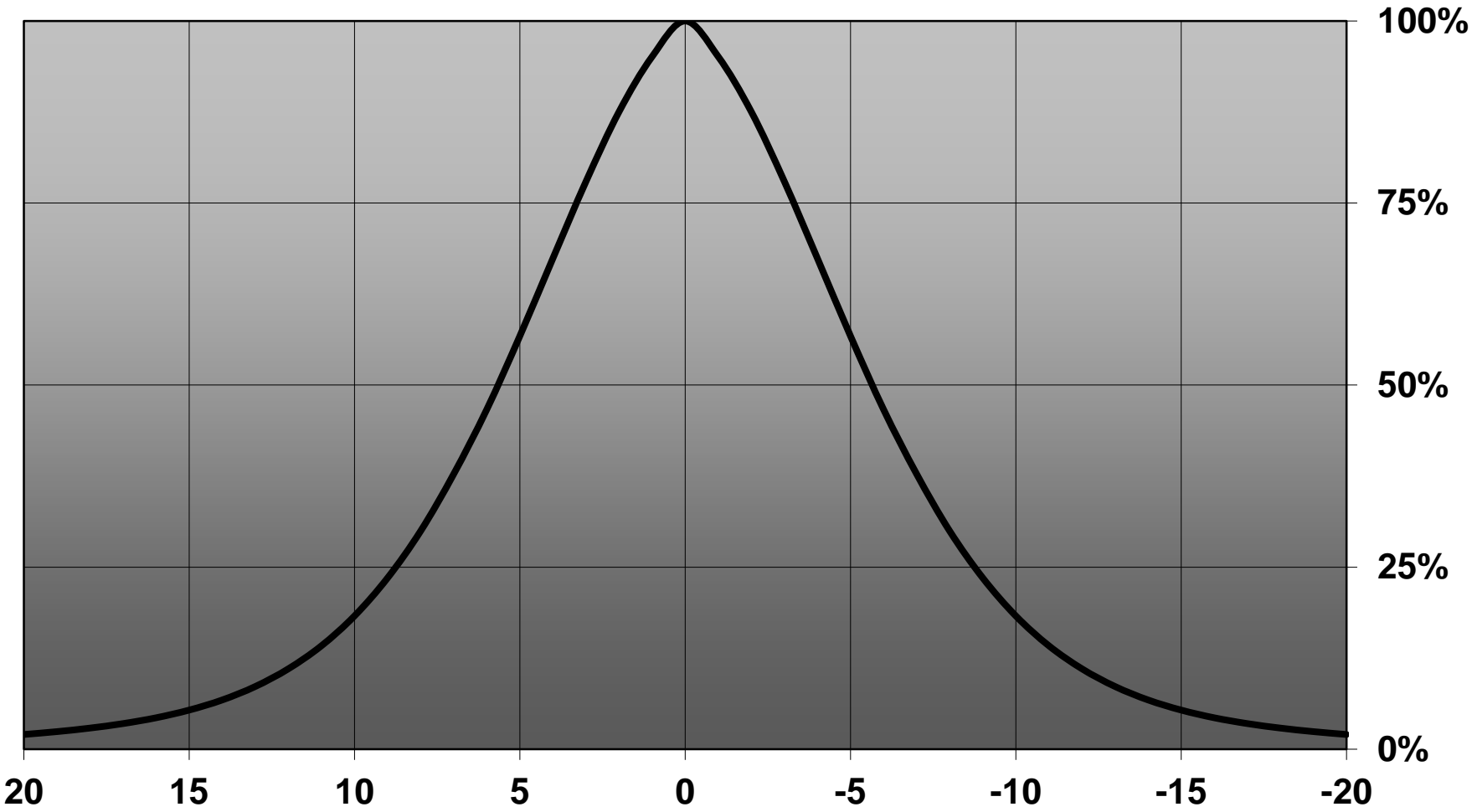
Product Number	CP11632_LXP3-D
Family	Leila
Type	Assembly
Color	white
Diameter	21,6 mm
Height	14,7 mm
Style	round
Optic Material	PMMA
Holder Material	
Fastening	glue
Status	production ready
ROHS Compliant	Yes
Date Updated	10/04/2014

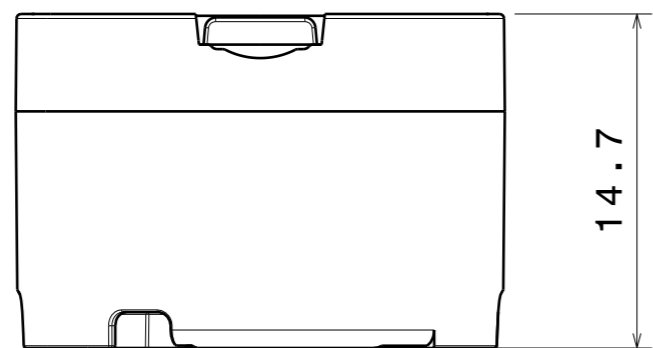


OPTICAL PROPERTIES

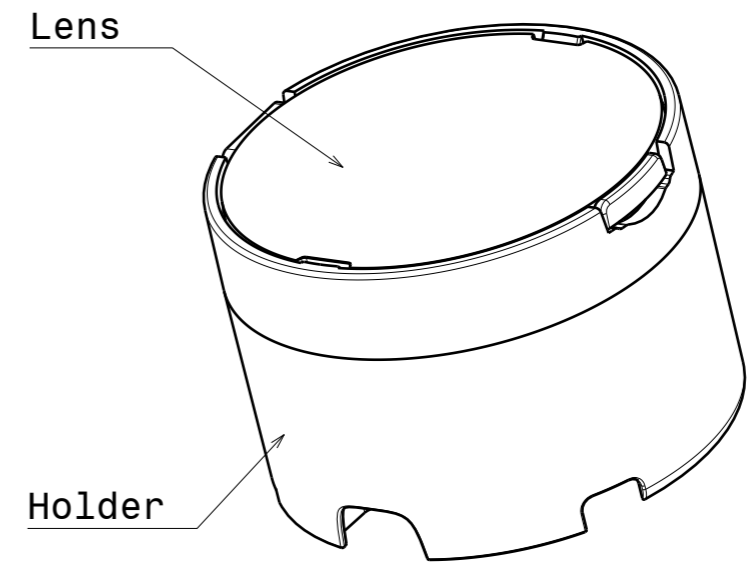
LED	Viewing Angle	Light Beam	Efficiency	cd/lm	Connector
XP-G	11 deg	Diffuser	94 %	11.000	-
XP-E	13 deg	Diffuser	94 %	-	-
XT-E	11 deg	Diffuser	-	8.950	-
XP-G2	13 deg	Diffuser	92 %	13.800	-
XP-L HI	14 deg	Diffuser	91 %	9.500	-
Z5	sim: 13	Diffuser	92 %	-	-

Relative intensity of CP11632_LXP3-D-XPG

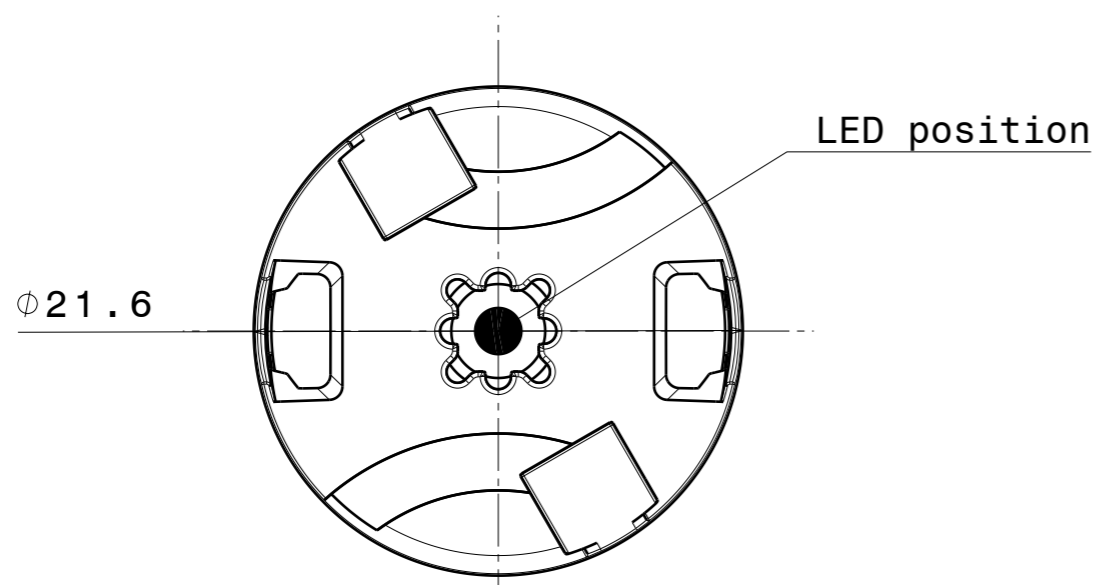




Front view
Scale: 3:1



Isometric view
Scale: 3:1

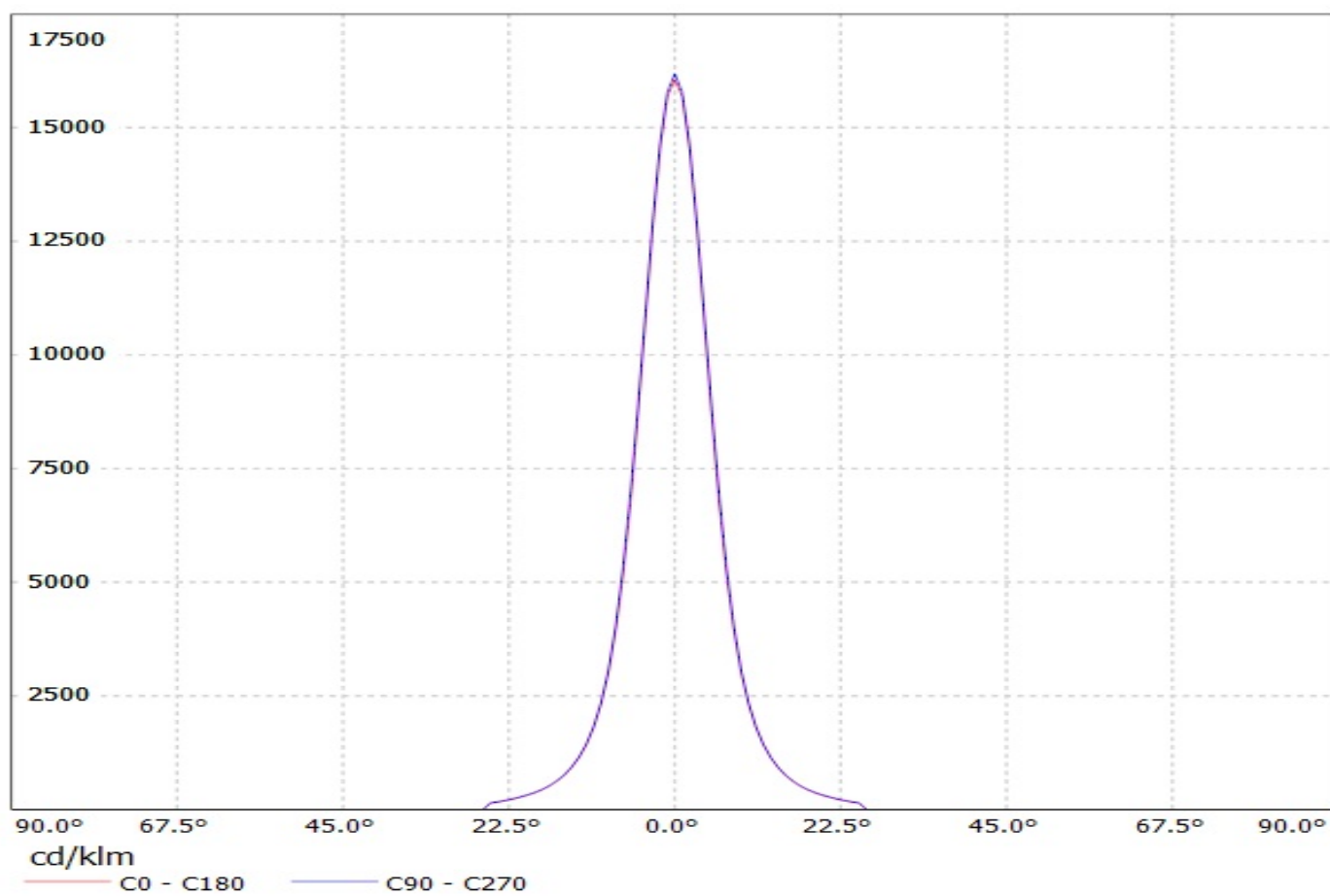


Bottom view
Scale: 3:1

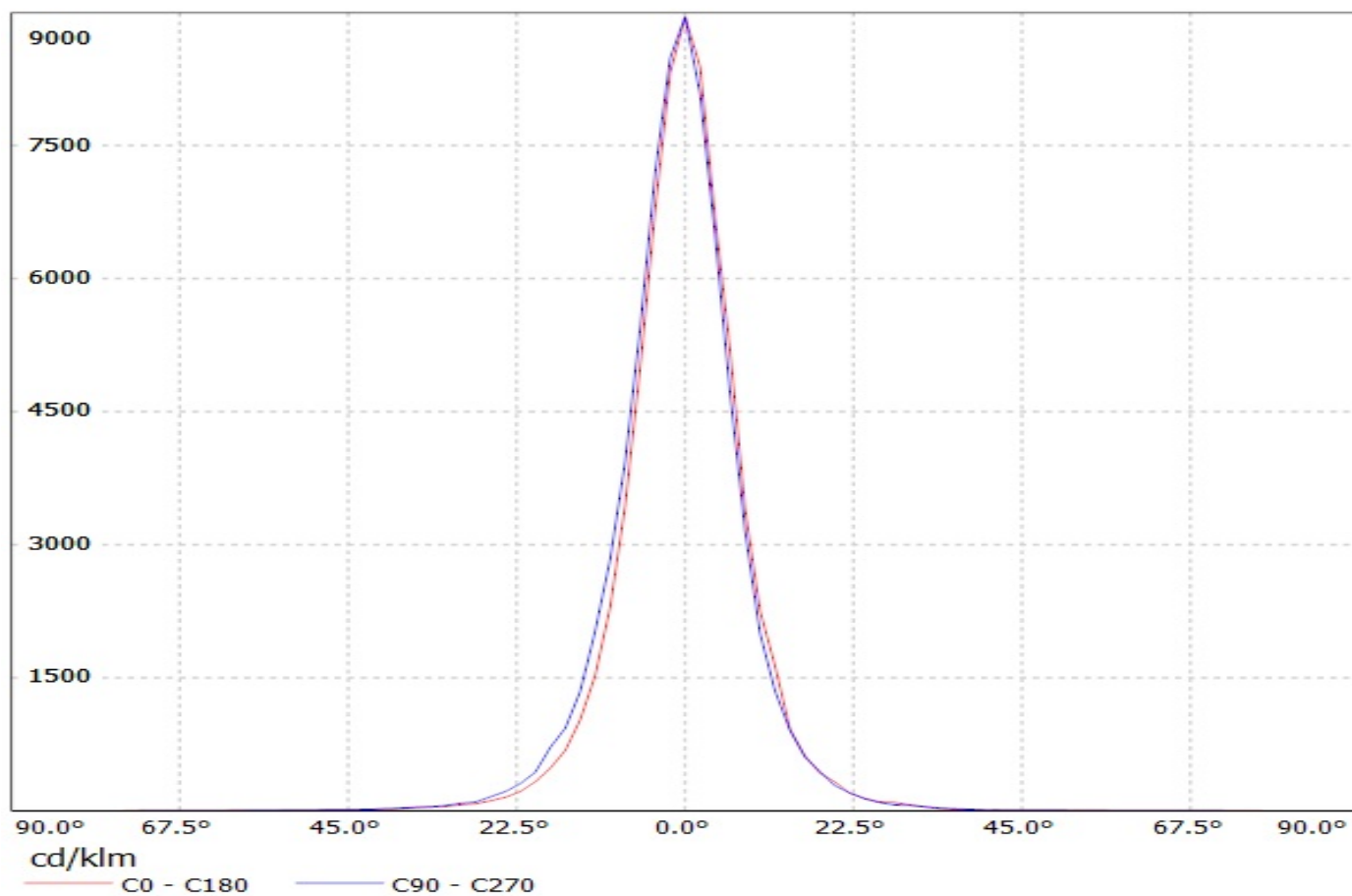
INDEX	PART NO	MATERIAL	COLOUR
1	Lens	PMMA 8N	
2	Holder	PC Makrolon 2407	white

Tolerances if not otherwise shown According to DIN ISO 2768-1 Linear measures: Up to 30mm class M, otherwise class C. According to DIN ISO 2768-2 Form and position: class L		LEDiL LediL Oy Salorankatu 10 FIN 24240 SALO Finland	
THIRD ANGLE PROJECTION:		DRAWING TITLE Datasheet_LXP3-Series	
This drawing is the property of LEDiL Oy. It may not be reproduced, copied or communicated without a written agreement with LEDiL Oy.		SIZE A3	PART NUMBER Datasheet
		SCALE 3:1	WEIGHT 7,49 g
		SHEET 1/1	

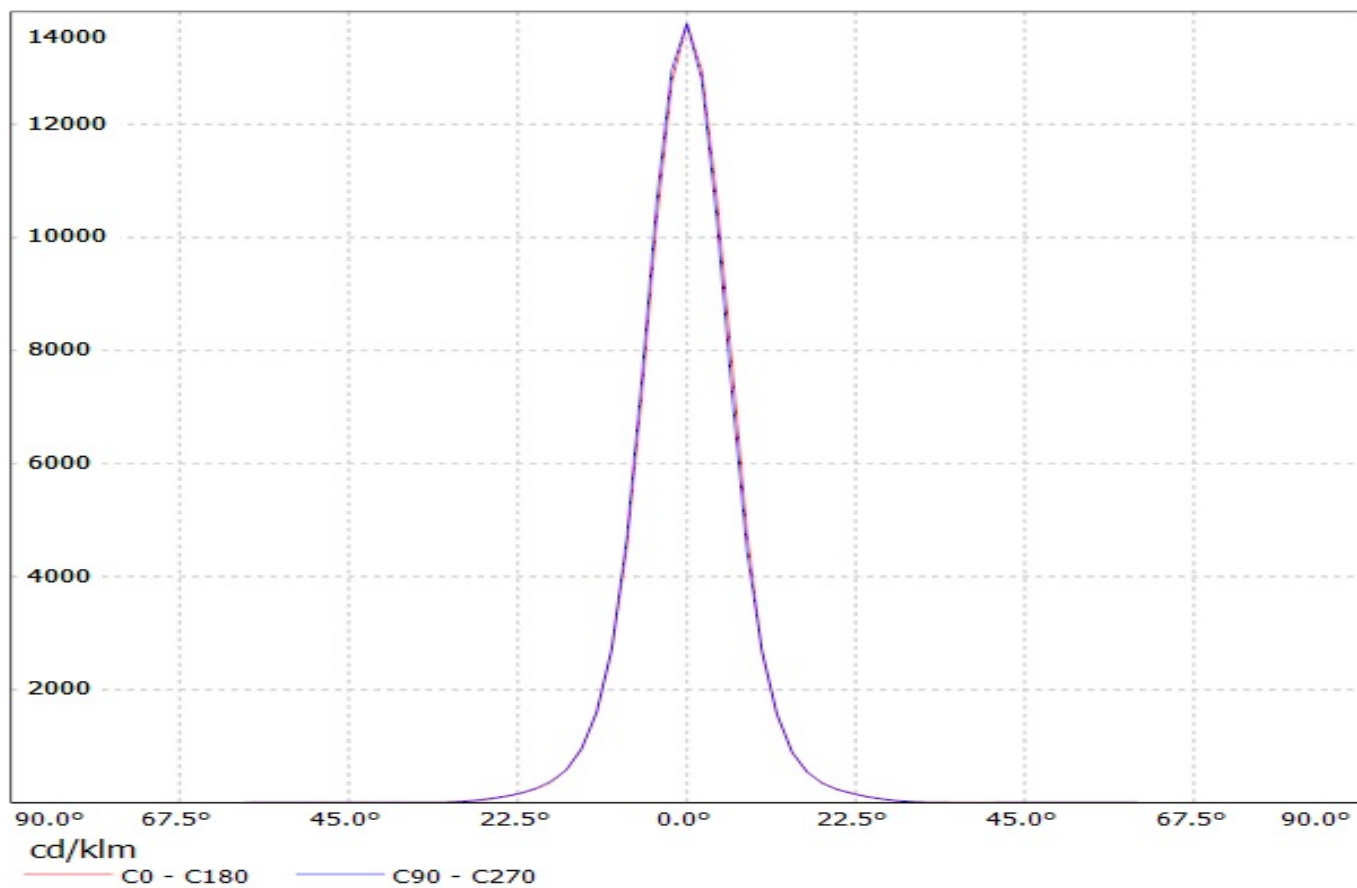
Luminaire: Ledil Oy CP11632_LXP3-D-XP-E CP11632_LXP3-D-XP-E
Lamps: 1 x Cree XP-E (White)



Luminaire: Ledil Oy CP11632_LXP3-D-WHT (Cree XT-E (AWT) 113lm @ 250mA)
Lamps: 1 x Cree XT-E 113lm @ 250mA



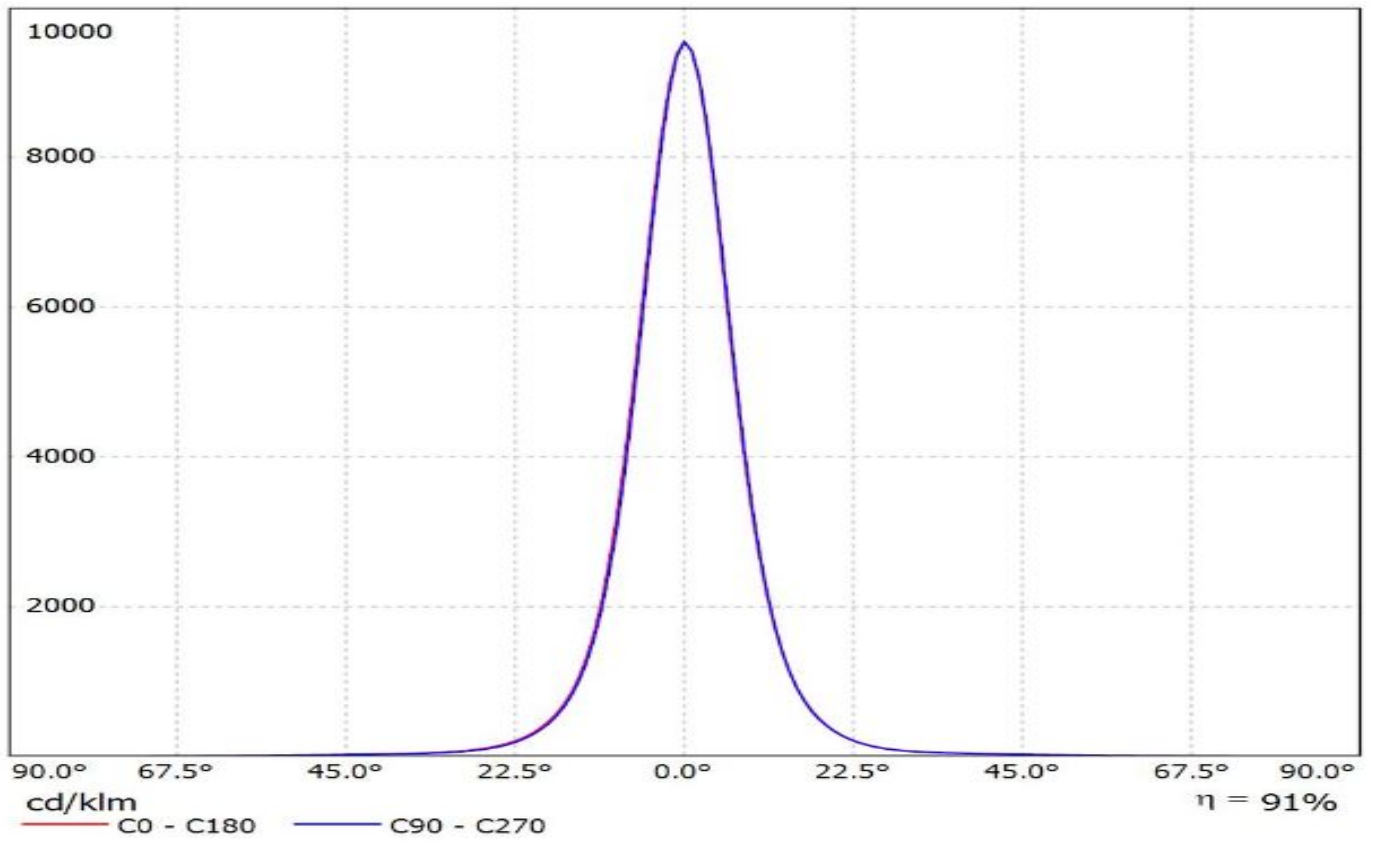
Luminaire: LEDil Oy CP11632_LXP3-D_(XP-G2) Efficiency=92%
Lamps: 1 x Cree XP-G2 (XPGBWT-L1-000-00G51) 350lm @ 250mA CCT=7200K P=2.9W I=250mA



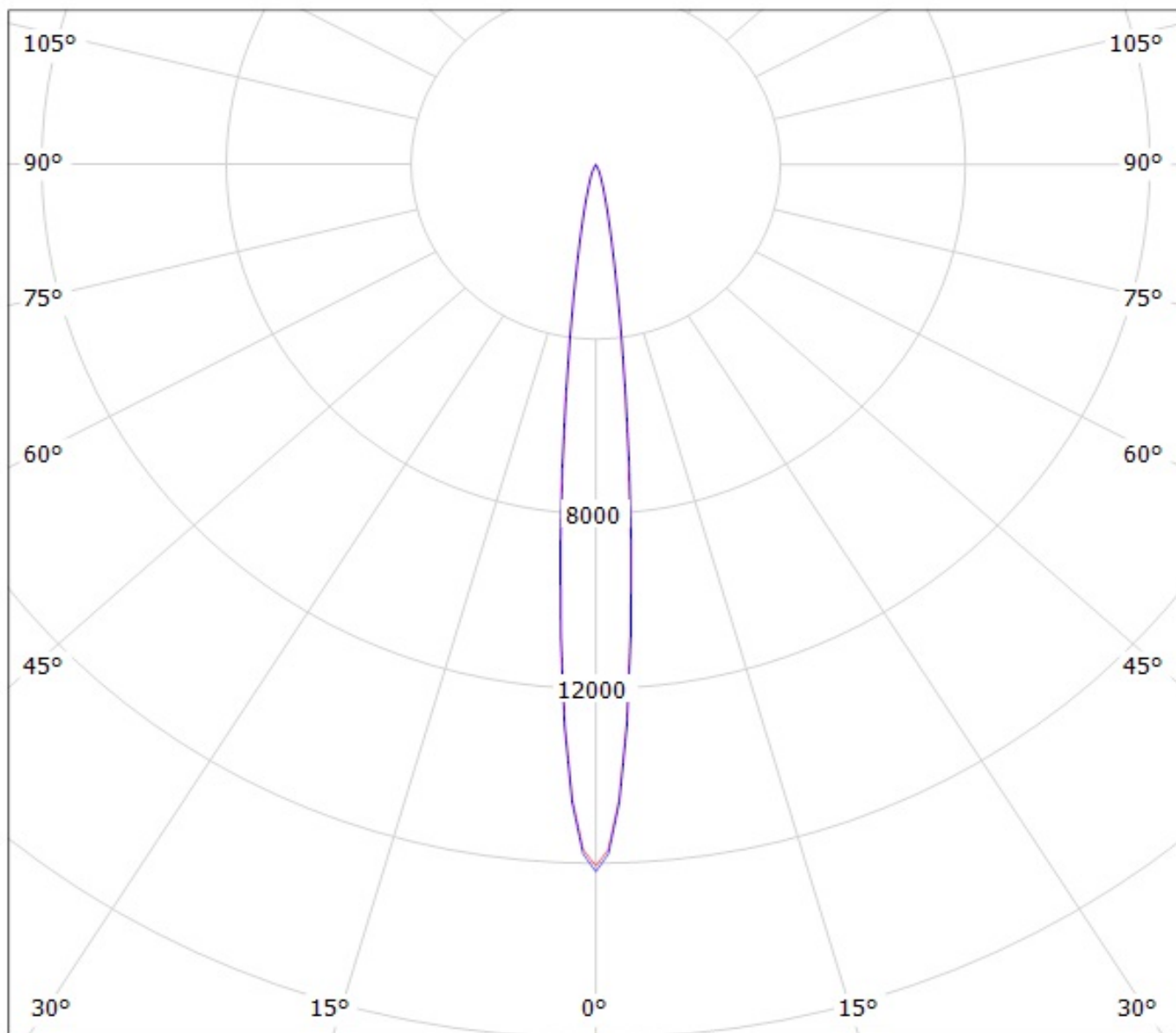
Ledil CP11632_LXP3-D_(XP-L_HI) / LDC (Linear)

Luminaire: Ledil CP11632_LXP3-D_(XP-L_HI)

Lamps: 1 x CREE_XP-L_HI_116.971lm@250mA_P=0.75W_I=0.25A



Luminaire: Ledil Oy CP11632_LXP3-D-XP-E CP11632_LXP3-D-XP-E
Lamps: 1 x Cree XP-E (White)

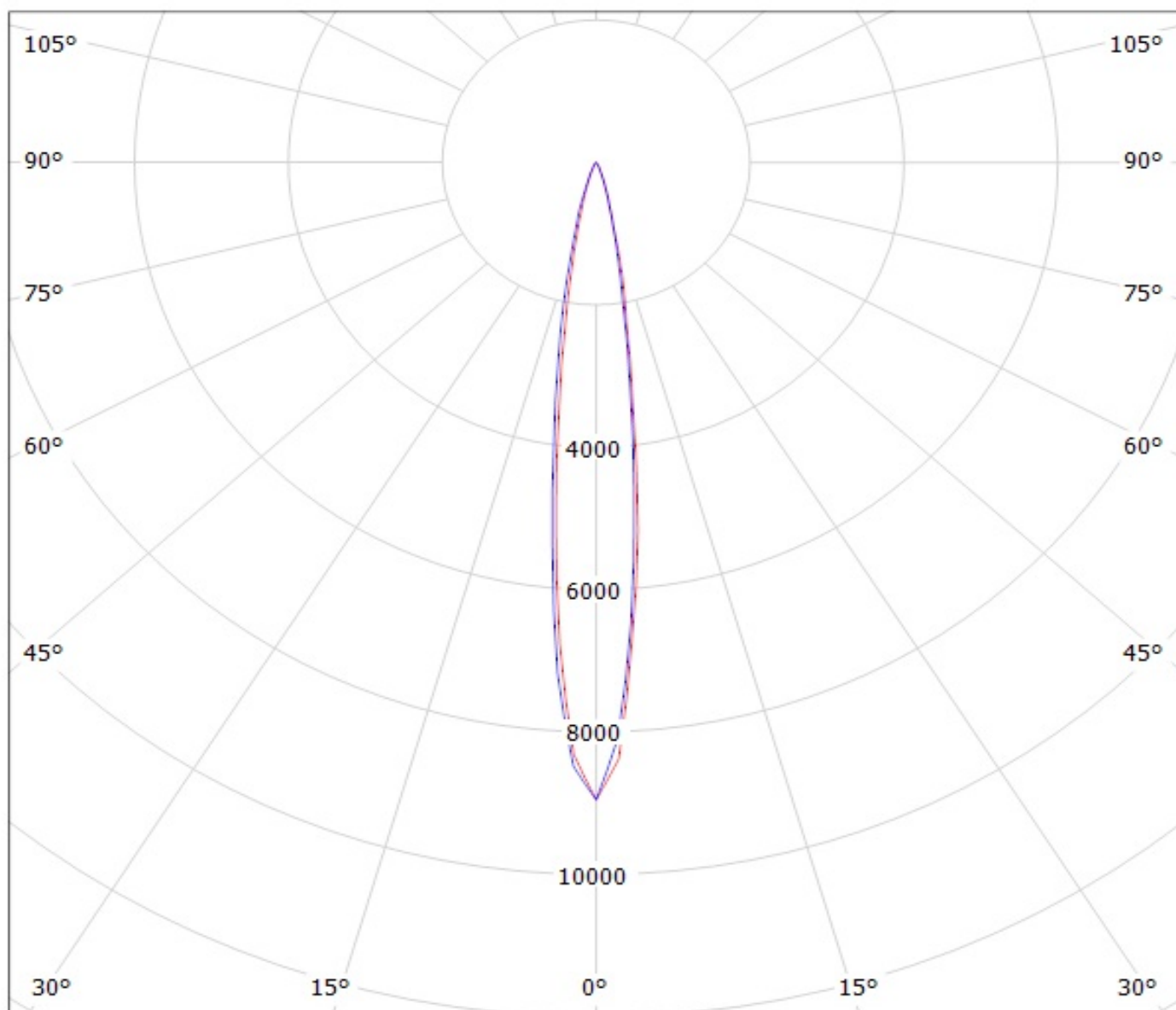


cd/klm

— C0 - C180

— C90 - C270

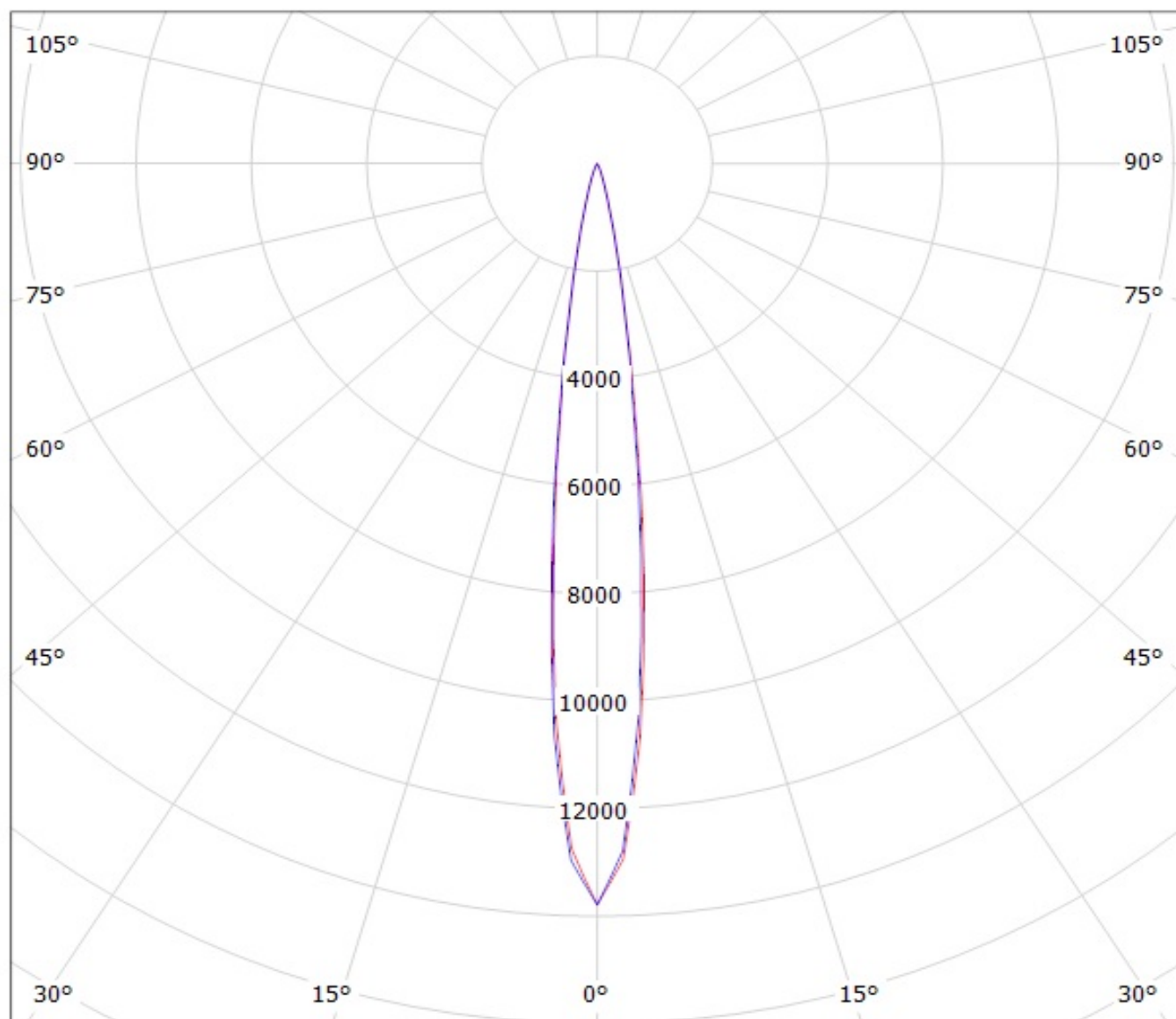
Luminaire: Ledil Oy CP11632_LXP3-D-WHT (Cree XT-E (AWT) 113lm @ 250mA)
Lamps: 1 x Cree XT-E 113lm @ 250mA



cd/klm

— C0 - C180 — C90 - C270

Luminaire: LEDil Oy CP11632_LXP3-D_(XP-G2) Efficiency=92%
Lamps: 1 x Cree XP-G2 (XPGBWT-L1-000-00G51) 350lm @ 250mA CCT=7200K P=2.9W I=250mA



cd/klm

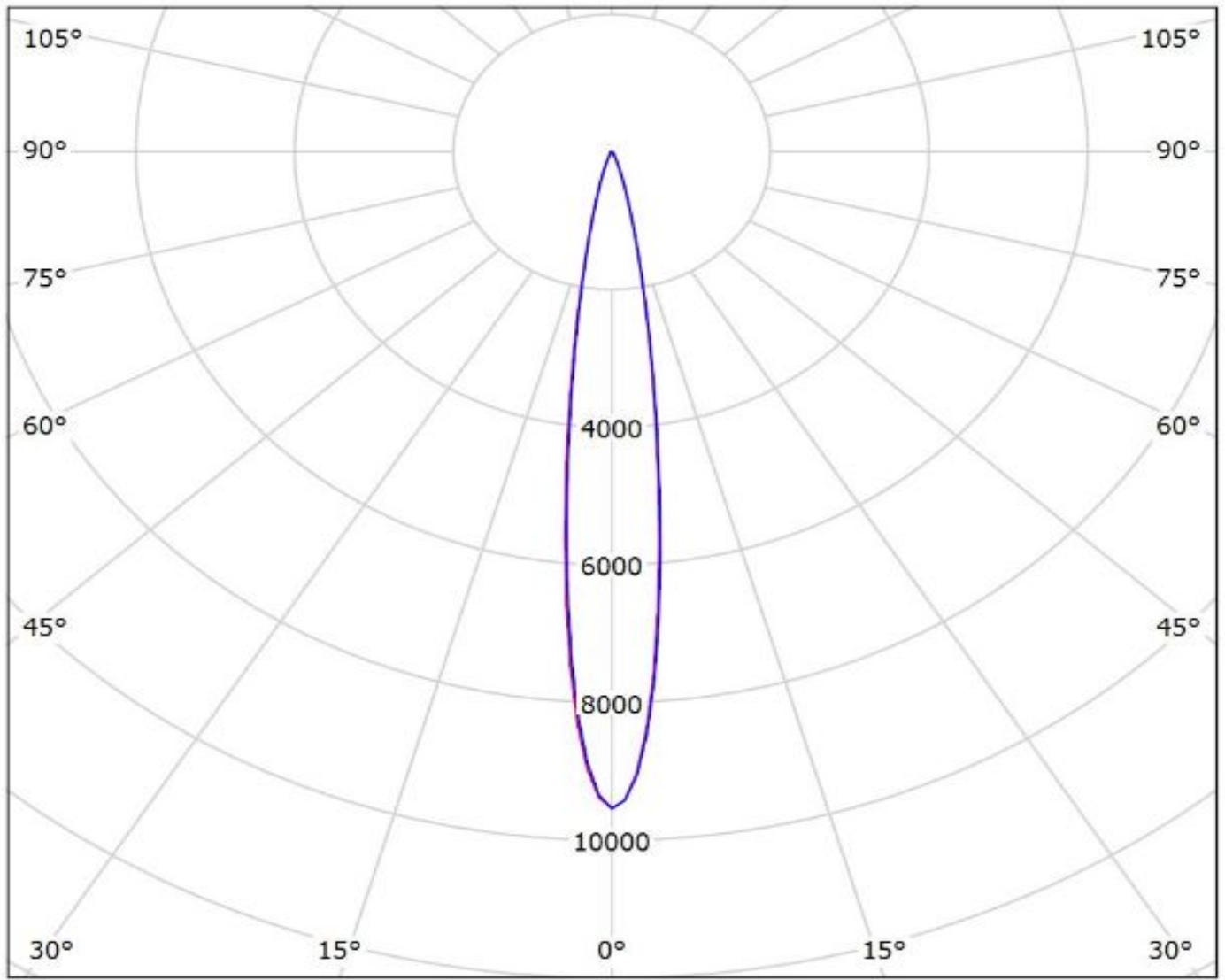
— C0 - C180

— C90 - C270

Ledil CP11632_LXP3-D_(XP-L_HI) / LDC (Polar)

Luminaire: Ledil CP11632_LXP3-D_(XP-L_HI)

Lamps: 1 x CREE_XP-L_HI_116.971lm@250mA_P=0.75W_I=0.25A



cd/klm

— C0 - C180

— C90 - C270

$\eta = 91\%$

NOTE: The typical divergence will be changed by different color, chip size and chip position tolerance. The typical total divergence is the full angle measured where the luminous intensity is half of the peak value.