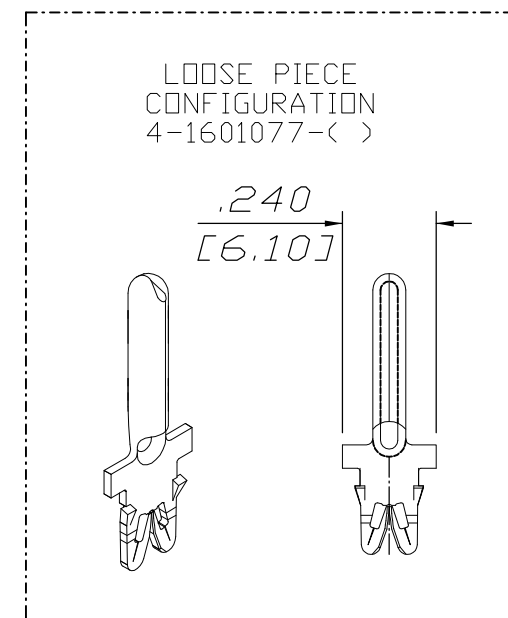
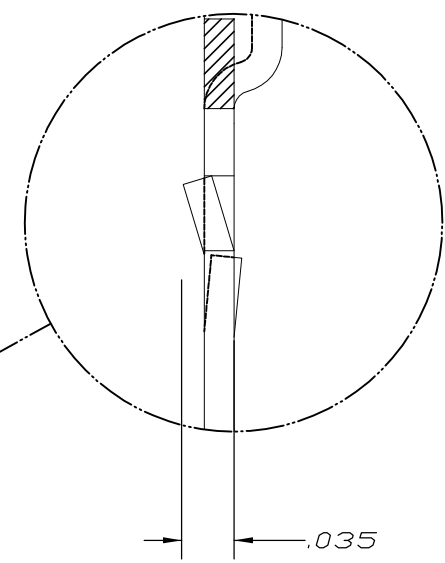
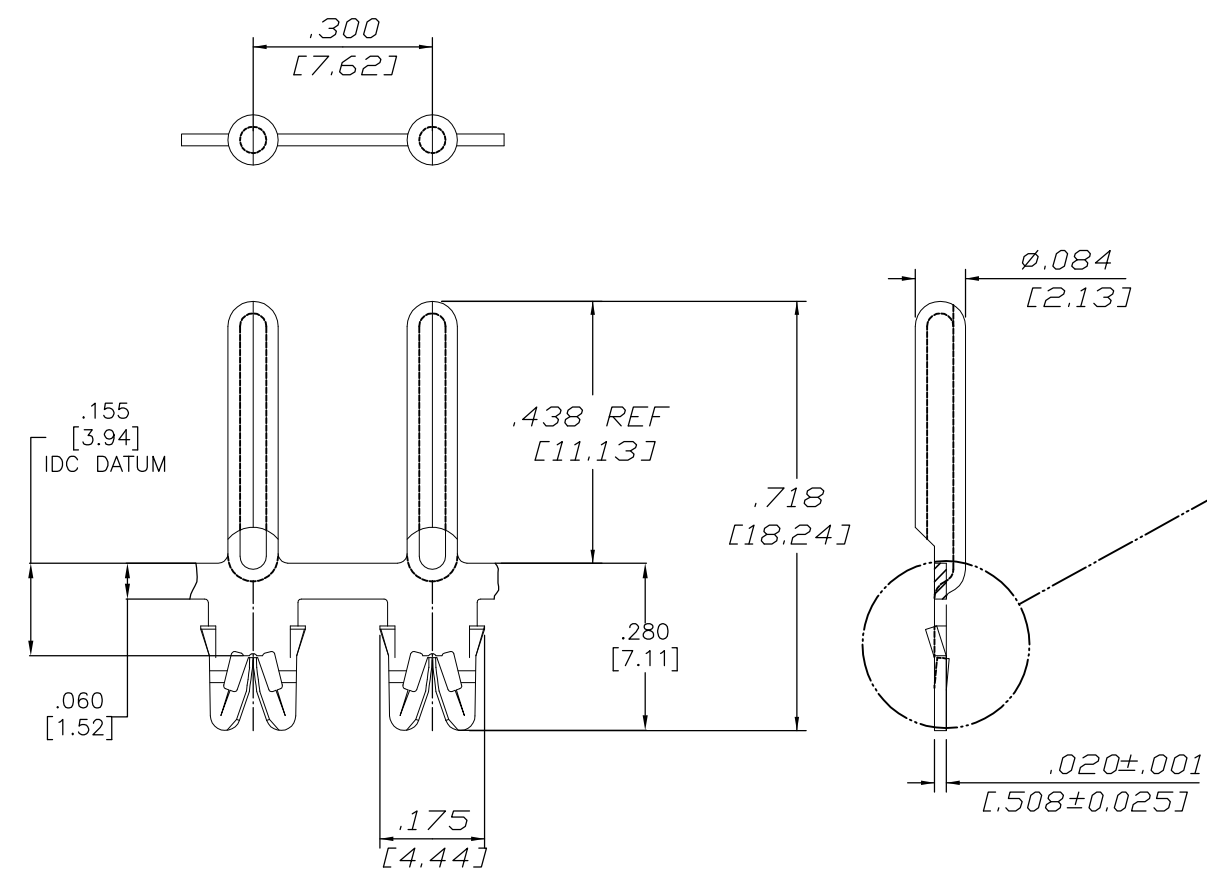
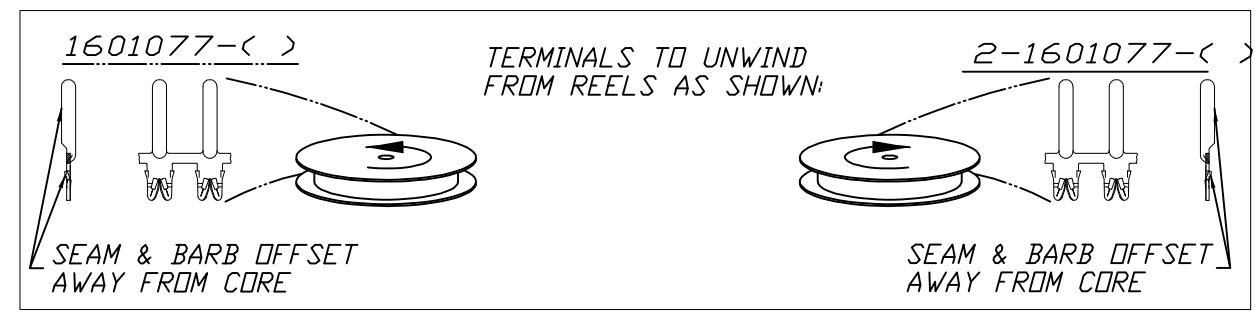


THIS DRAWING IS UNPUBLISHED. RELEASED FOR PUBLICATION
 © COPYRIGHT - By - ALL RIGHTS RESERVED.

LOC	DIST	REVISIONS			
P	LTR	DESCRIPTION	DATE	DWN	APVD
AF	50	B1	REVISE PER ECR-14-017292	19NOV2014	GRZ JL



- SPECIFICATIONS:
MAGNET WIRE #18-#34 AWG
.040" (1.02 mm) - .006" (0.16 mm) DIA
- POCKET RECOMMENDATION:
#1601424
- NOTES:
TERMINALS SUPPLIED ON REELS,
CAN BE SUPPLIED LOOSE PIECE,



	-	-	-
	-	-	-
	-	-	-
	-	-	-
	Unplated	131-148-000	2-1601077-1
OBSOLETED	Unplated	131-147-000	1601077-1
	FINISH	REFERENCE PART NUMBER	TE PART NUMBER

THIS DRAWING IS A CONTROLLED DOCUMENT.		DWN J.WELLER 11JAN2002	STE TE Connectivity	
		CHK M.FEHER 11JAN2002		
		APVD K.RANDOLPH 11JAN2002	NAME .084 PIN	
DIMENSIONS: mm		PRODUCT SPEC 108-2085	STANDARD SIAMEZE TERMINAL	
TOLERANCES UNLESS OTHERWISE SPECIFIED:		APPLICATION SPEC 408-8629		
MATERIAL BRASS, EXTRA HARD		WEIGHT -	SIZE A3	CAGE CODE 00779
FINISH SEE TABLE		DRAWING NO C-1601077		RESTRICTED TO -
		CUSTOMER DRAWING		SCALE 4:1
				SHEET 1 OF 1
				REV B1