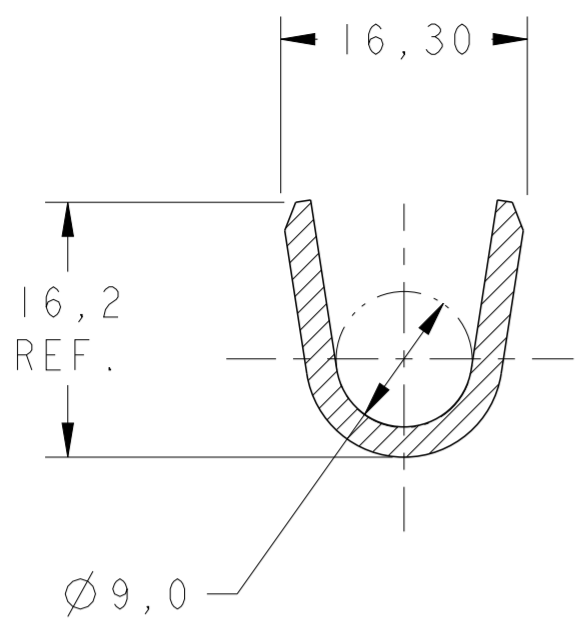
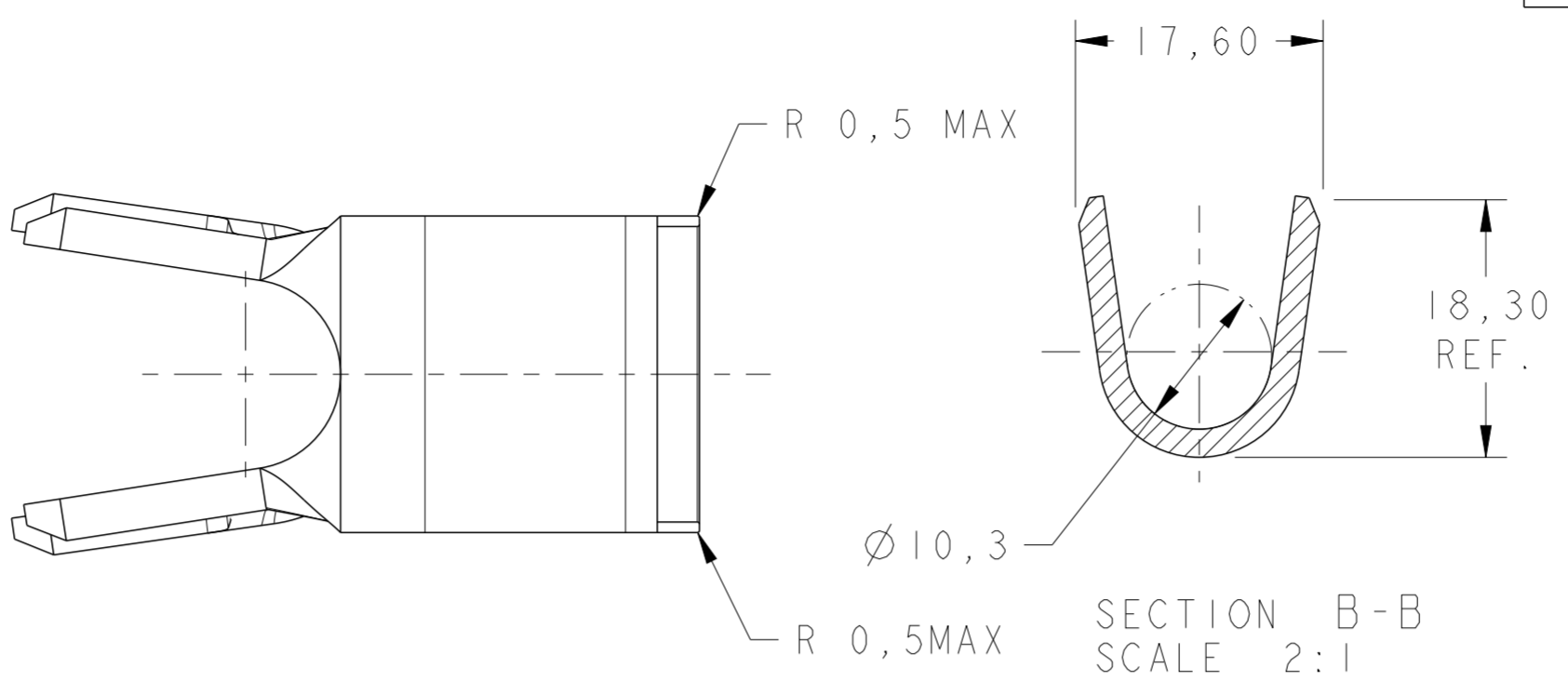


THIS DRAWING IS UNPUBLISHED. RELEASED FOR PUBLICATION 20  
 © COPYRIGHT 20 BY - ALL RIGHTS RESERVED.

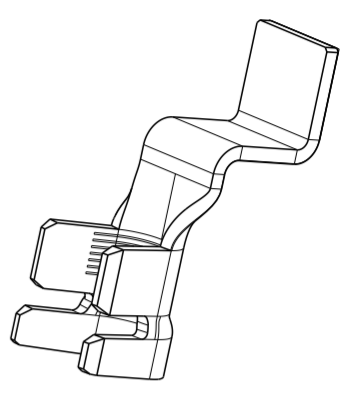
LOC		DIST		REVISIONS			
P	LTR	DESCRIPTION	DATE	DWN	APVD		
	E	REVISED DESIGN	ECO-13-008769	01AUG2013	NCL	MLO	



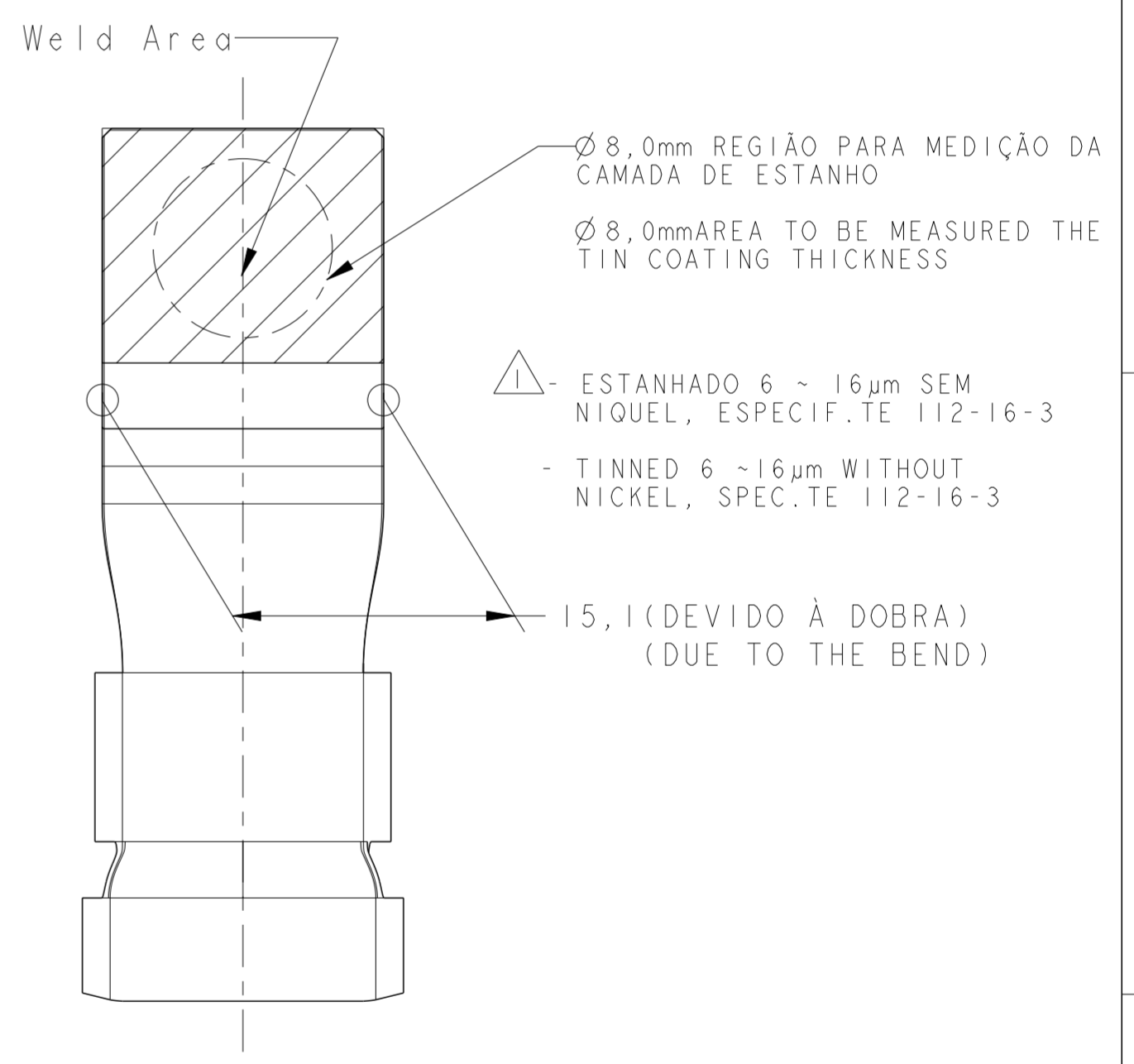
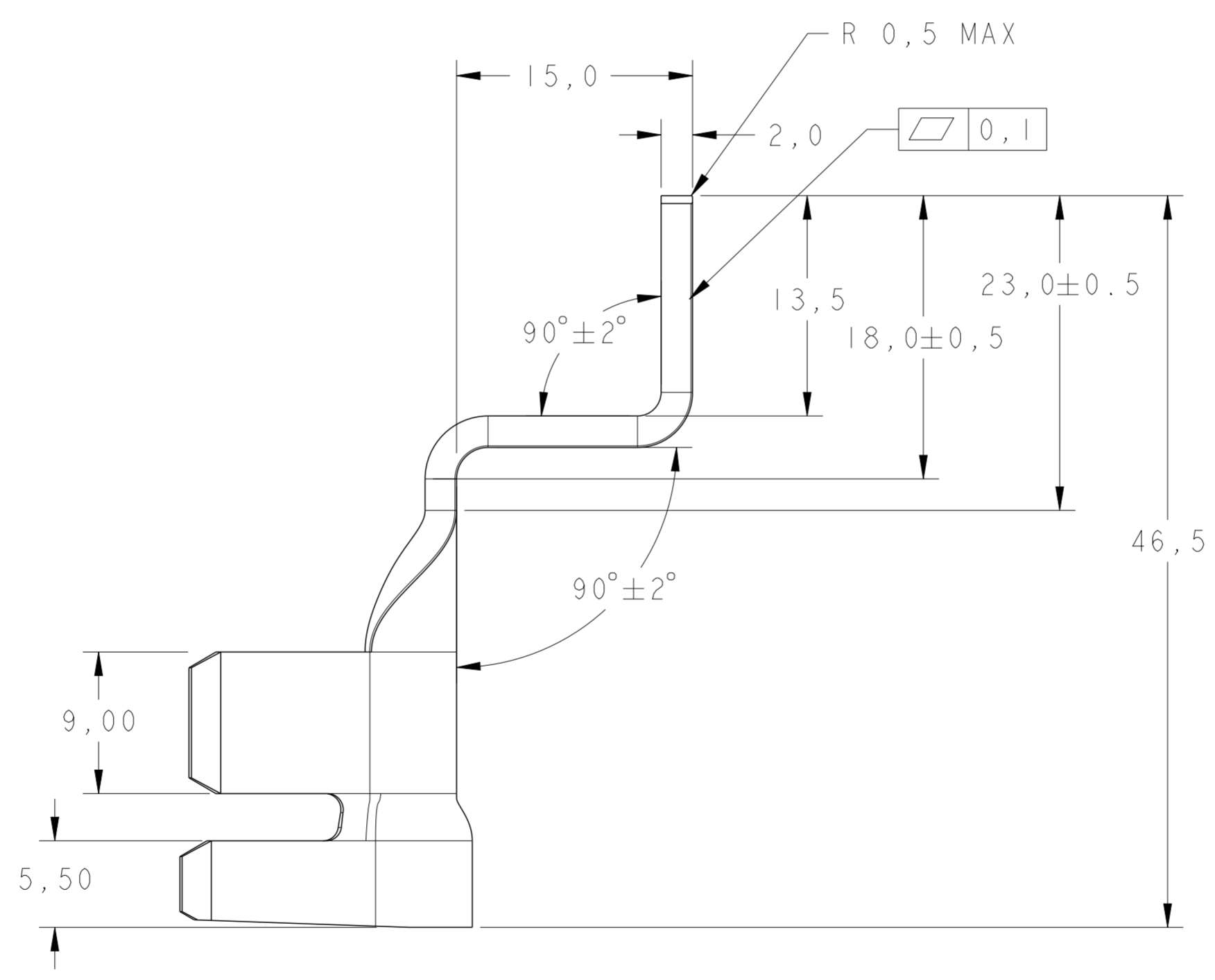
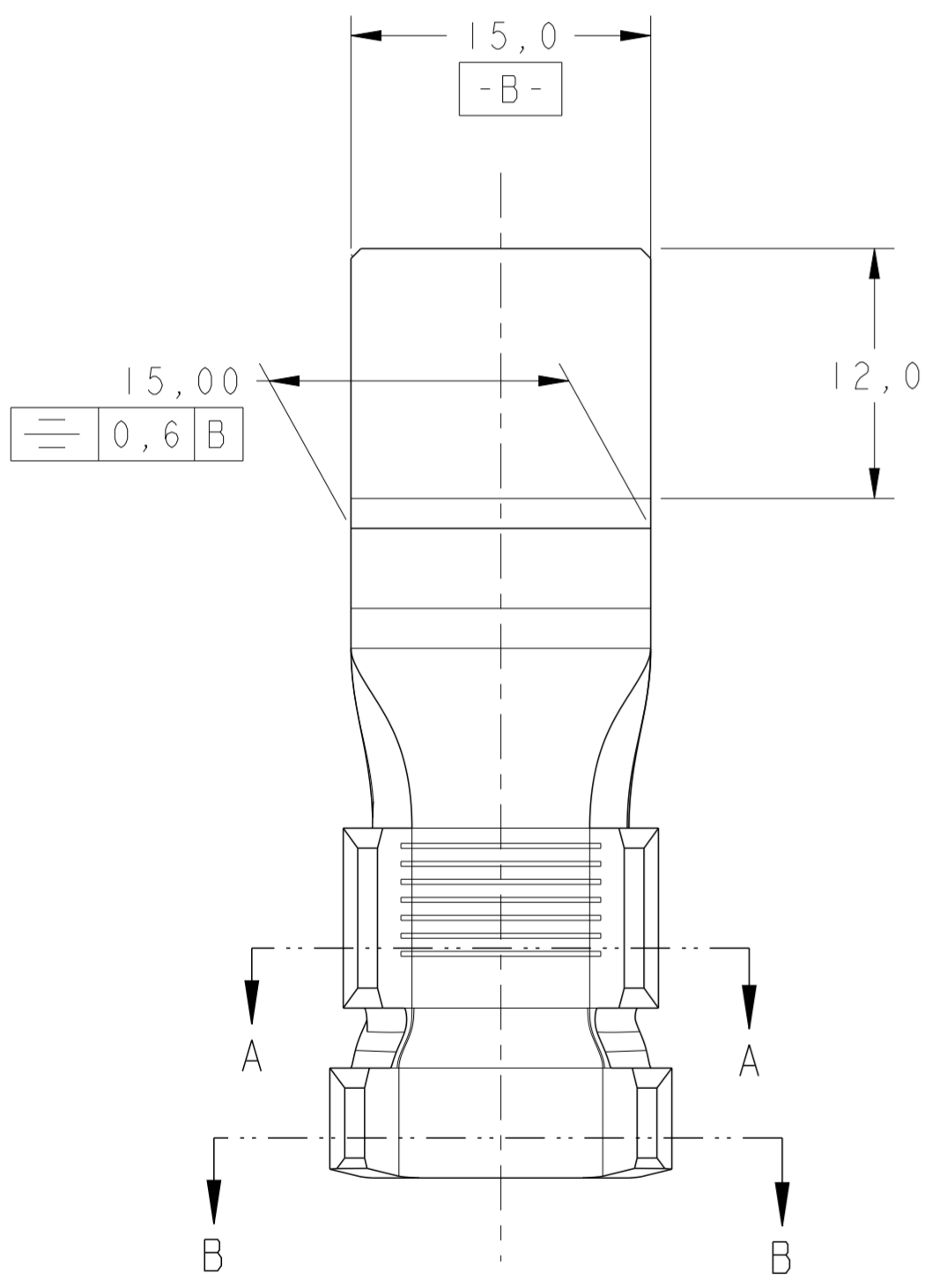
SECTION A-A  
SCALE 2:1



SECTION B-B  
SCALE 2:1



PERSPECTIVE VIEW  
SCALE 1:1



25 - 37 mm <sup>2</sup>	ESTANHADO/TINNED $\Delta$	LATÃO/BRASS	1599921-1
WIRE RANGE	FINISH	MATERIAL	PART NUMBER
THIS DRAWING IS A CONTROLLED DOCUMENT.		TE Connectivity	
DIMENSIONS: mm TOLERANCES UNLESS OTHERWISE SPECIFIED: 0 PLC ± 1 PLC ±0,3 2 PLC ± 3 PLC ± 4 PLC ± ANGLES ±° FINISH		NAME: - PRODUCT SPEC: - APPLICATION SPEC: - WEIGHT: - CUSTOMER DRAWING	
SEE TABLE		SEE TABLE	
MATERIAL		RESTRICTED TO	
DWN: E. J. G. SILVA 20 JUN 2006 CHK: P. L. FARIA 20 JUN 2006 APVD: D. OLIVEIRA 20 JUN 2006		SIZE: A2 CAGE CODE: - DRAWING NO: C-1599921 SCALE: 3:1 SHEET 1 OF 1 REV E	

