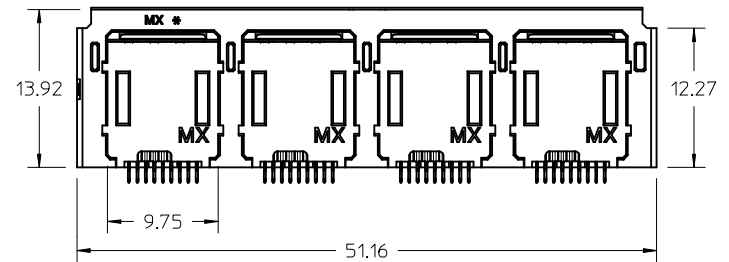
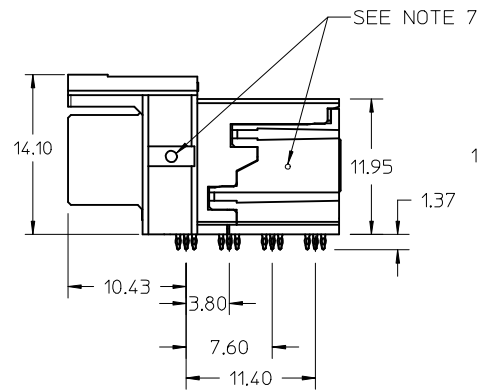
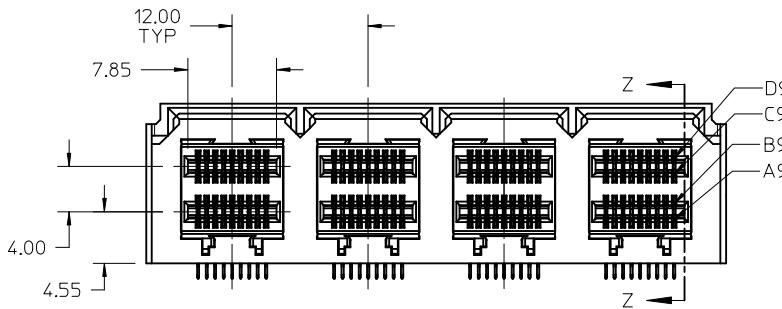
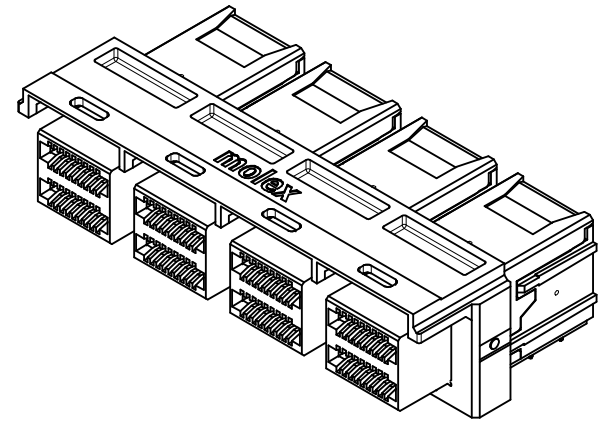


SECTION Z-Z

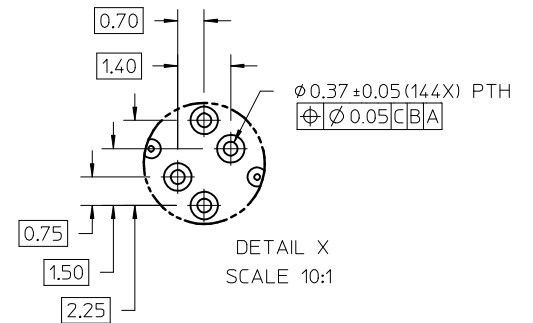
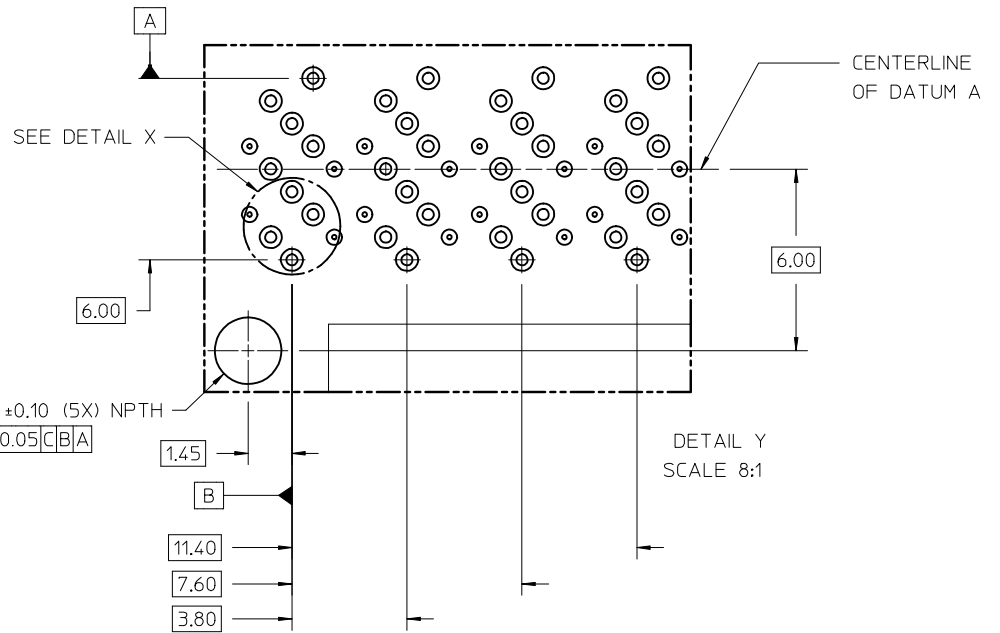
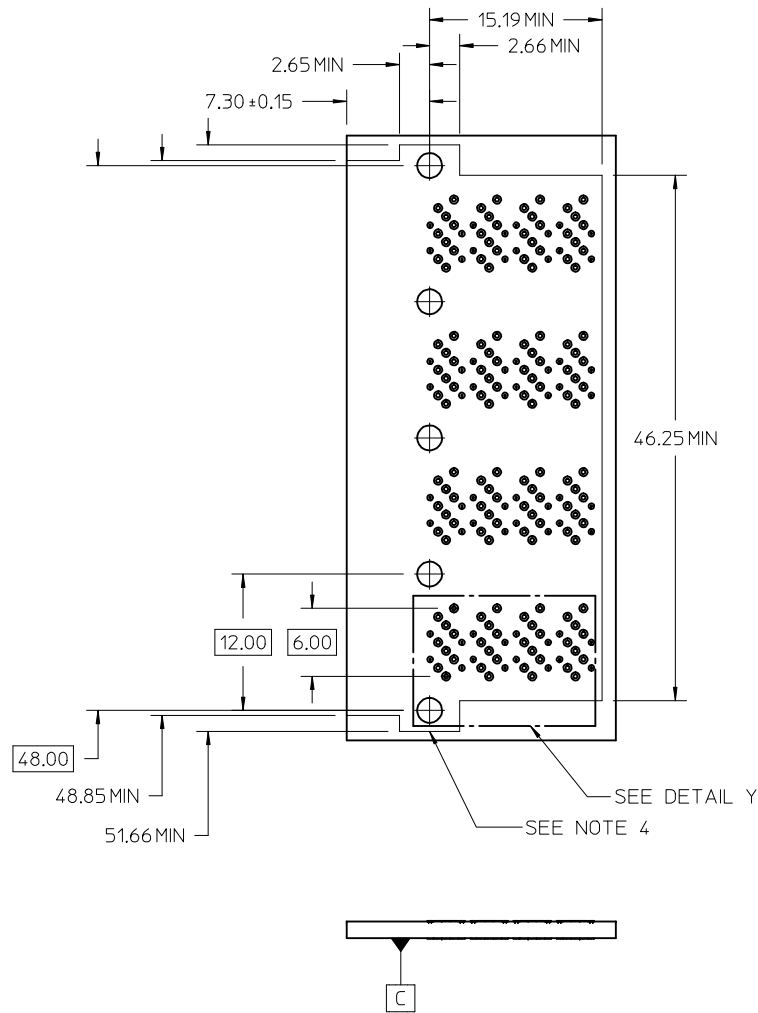


- NOTES:
- MATERIALS:
CONNECTOR HOUSING: HIGH TEMPERATURE THERMOPLASTIC GLASS FILLED, UL 94V-0
TERMINALS: COPPER ALLOY
 - FINISHES:
CONTACT AREA: 0.76µM MIN GOLD OVER 2.54µM MIN NICKEL
TAIL AREA:
OPTION 1: 0.76µM-1.52µM TIN/LEAD (90/10) OVER 2.54µM MIN NICKEL
OPTION 2: 0.76µM-1.52µM TIN (LEAD FREE) OVER 2.54µM MIN NICKEL
 - PRODUCT SPECIFICATION: PS-76867-001
 - PACKAGING SPECIFICATION: PK-76867-001
 - MATES WITH: MOLEX CABLE SERIES 100171, 100189, 100190 & 100191
 - MOUNTING HARDWARE NOT SUPPLIED, REFER TO APPLICATION SPECIFICATION AS-76867-001
 - APPROXIMATE MOLDING GATE LOCATION
 - PLUG MODULE PCB LAYOUT REFER TO SD-76866-9900

PLATING OPT.	MATERIAL NO.
OPTION 1	76867-0003
OPTION 2	76867-0013

REV'D GATE LOCATION EC NO: UCP2015-4516 DRWN: TMCLELL 2015/04/28 CHKD: TMCLELLAND 2015/04/28 APPR: TMCLELL 2015/04/28	QUALITY SYMBOLS 	GENERAL TOLERANCES (UNLESS SPECIFIED)		DIMENSION STYLE MM ONLY	SCALE 3:1	DESIGN UNITS METRIC	THIRD ANGLE PROJECTION		
		4 PLACES ± --- ± --- 3 PLACES ± --- ± .005 2 PLACES ± 0.13 ± .010 1 PLACE ± 0.25 ± --- 0 PLACE ± ±	DRAWN BY KLANG	DATE 2009/05/15	TITLE IPASS PLUS HD 1X4 ASSEMBLY INTERNAL 		MATERIAL NO. SEE CHART	DOCUMENT NO. SD-76867-003	SHEET NO. 1 OF 3
		ANGULAR ±1/2°		APPROVED BY MBANAKIS	DATE 2010/11/17	THIS DRAWING CONTAINS INFORMATION THAT IS PROPRIETARY TO MOLEX. INCORPORATED AND SHOULD NOT BE USED WITHOUT WRITTEN PERMISSION			
		DRAFT WHERE APPLICABLE MUST REMAIN WITHIN DIMENSIONS							

RECOMMENDED FOOTPRINT

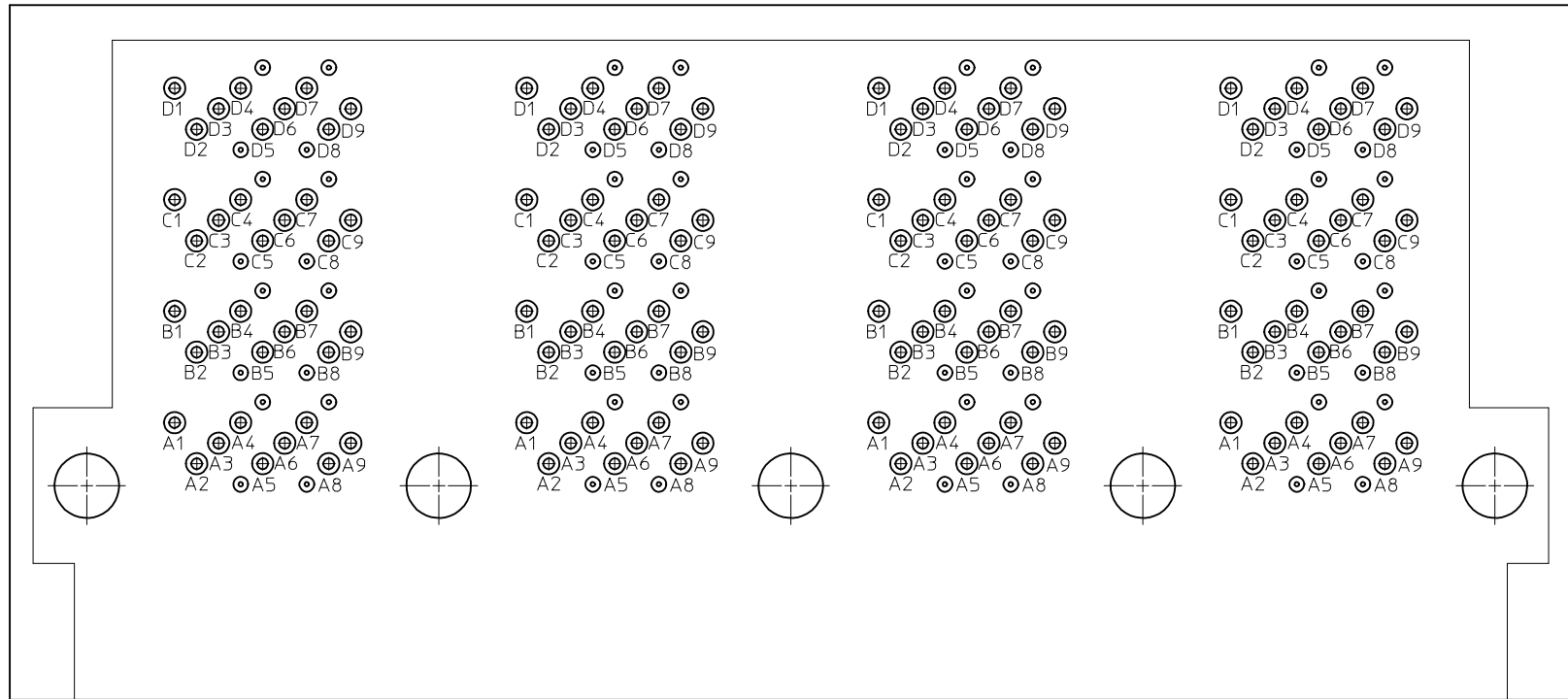


NOTES:

1. RECOMMENDED DRILL SIZE AND ANNULAR RING FOR A 0.37 ϕ FINISHED PTH - REFER TO APPLICATION SPECIFICATION AS-76867-001
2. MINIMUM RECOMMENDED SPACING: 14.00MM
3. MINIMUM PCB THICKNESS: 1.57MM
4. CONNECTOR KEEP OUT AREA

SEE SHEET 1 REV: B10	DESCRIPTION REV: B10	QUALITY SYMBOLS	GENERAL TOLERANCES (UNLESS SPECIFIED)	DIMENSION STYLE MM ONLY	SCALE 3:1	DESIGN UNITS METRIC	THIRD ANGLE PROJECTION	
		$\nabla = 0$	mm INCH	DRAWN BY KLANG	DATE 2009/05/15	TITLE IPASS PLUS HD 1X4 ASSEMBLY INTERNAL		
		$\nabla = 0$	4 PLACES ± --- ± ---	CHECKED BY	DATE			
		$\nabla = 0$	3 PLACES ± --- ± .005	APPROVED BY MBANAK I S			DATE 2010/11/17	DOCUMENT NO. SD-76867-003
DRAFT WHERE APPLICABLE MUST REMAIN WITHIN DIMENSIONS		ANGULAR ±1/2°	SIZE C	THIS DRAWING CONTAINS INFORMATION THAT IS PROPRIETARY TO MOLEX INCORPORATED AND SHOULD NOT BE USED WITHOUT WRITTEN PERMISSION				

FOOTPRINT CIRCUIT IDENTIFICATION



SEE SHEET 1 DEC NO: UCP2015-4516 DRWN:TMCCLELL 2015/04/28 CHKD:TMCCLELLAND 2015/04/28 APPR:TMCCLELL 2015/04/28	QUALITY SYMBOLS ▽=0 ▽=0 ▽=0	GENERAL TOLERANCES (UNLESS SPECIFIED) <table border="1"> <thead> <tr> <th></th> <th>mm</th> <th>INCH</th> </tr> </thead> <tbody> <tr> <td>4 PLACES</td> <td>±.005</td> <td>±.0005</td> </tr> <tr> <td>3 PLACES</td> <td>±.005</td> <td>±.0005</td> </tr> <tr> <td>2 PLACES</td> <td>±0.13</td> <td>±.010</td> </tr> <tr> <td>1 PLACE</td> <td>±0.25</td> <td>±.010</td> </tr> <tr> <td>0 PLACE</td> <td>±</td> <td>±</td> </tr> </tbody> </table>		mm	INCH	4 PLACES	±.005	±.0005	3 PLACES	±.005	±.0005	2 PLACES	±0.13	±.010	1 PLACE	±0.25	±.010	0 PLACE	±	±	DIMENSION STYLE MM ONLY DRAWN BY DATE KLANG 2009/05/15 CHECKED BY DATE	SCALE 8:1 DESIGN UNITS METRIC	THIRD ANGLE PROJECTION
		mm	INCH																				
	4 PLACES	±.005	±.0005																				
	3 PLACES	±.005	±.0005																				
2 PLACES	±0.13	±.010																					
1 PLACE	±0.25	±.010																					
0 PLACE	±	±																					
DESCRIPTION REV B10	ANGULAR ±1/2° DRAFT WHERE APPLICABLE MUST REMAIN WITHIN DIMENSIONS	APPROVED BY DATE MBANAKIS 2010/11/17 MATERIAL NO. SEE CHART	TITLE IPASS PLUS HD 1X4 ASSEMBLY INTERNAL molex	DOCUMENT NO. SD-76867-003	SHEET NO. 3 OF 3																		
THIS DRAWING CONTAINS INFORMATION THAT IS PROPRIETARY TO MOLEX INCORPORATED AND SHOULD NOT BE USED WITHOUT WRITTEN PERMISSION																							