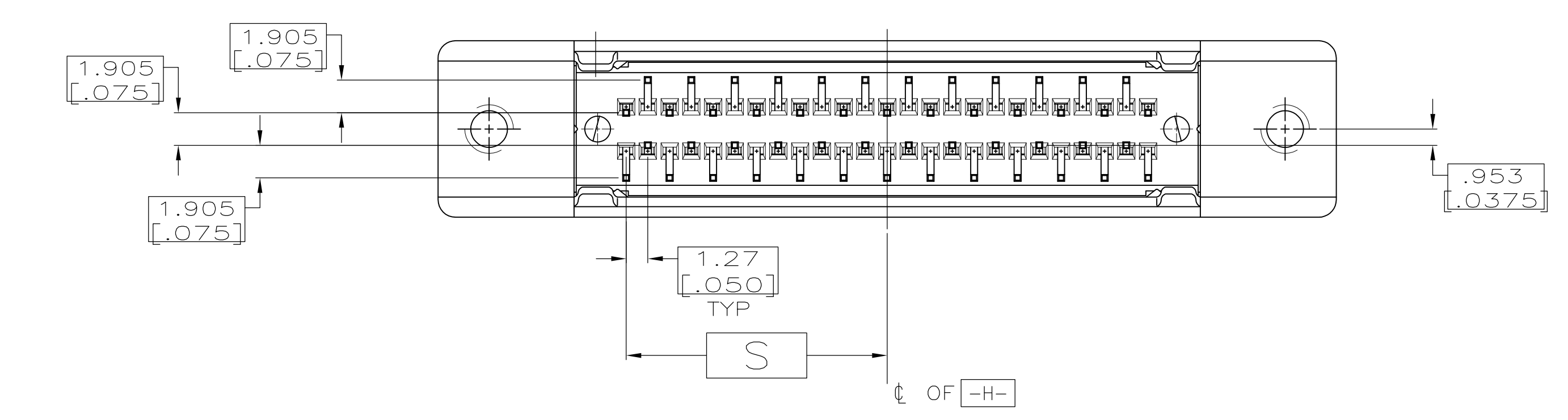
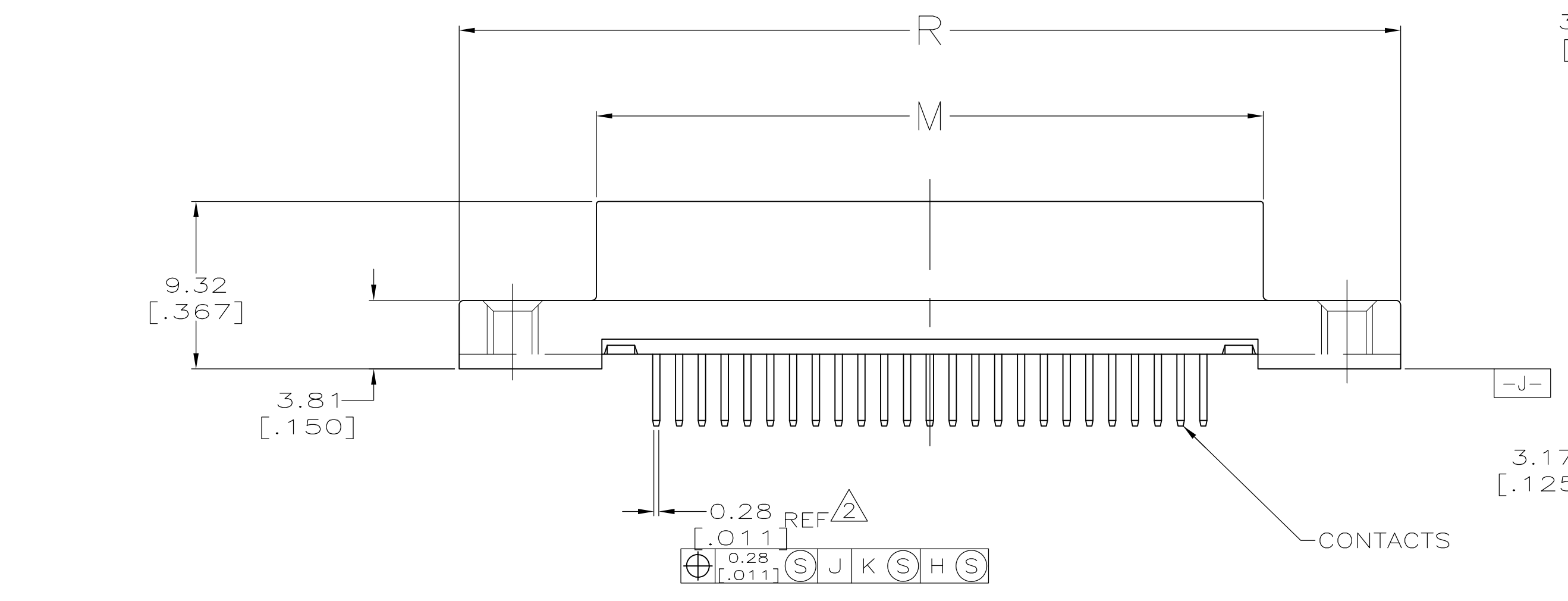


P.C. BOARD MOUNTING DIMENSIONS
 (CONNECTOR SIDE)



- Δ FINISH
 CONTACTS: EITHER GOLD PLATED 0.76μm [.000030] MIN ON MATING END OR GOLD FLASH OVER PALLADIUM NICKEL, 0.76μm [.000030] MIN TOTAL ON MATING END. TIN-LEAD PLATED 3.05μm [.000120] MIN ON SOLDER LEAD, ALL OVER 1.27μm [.000050] MIN NICKEL UNDERPLATE.
 BACKET: NICKEL PLATED.
- Δ POSITION TOLERANCE APPLIES AT TIP ONLY.
- Δ MATERIAL
 CONTACTS: PHOSPHOR BRONZE.
 HOUSING: UL V-0 RATED POLYESTER LCP COLOR BLACK.
 BRACKET: ZINC.
- Δ ACTUAL HOLE SIZE USED WILL DEPEND ON TRACE ROUTING REQUIREMENTS BETWEEN HOLES AND CONNECTOR PLACEMENT TECHNIQUE.

50 POSITION AS SHOWN

X	31.11 [1.225]	84.20 [3.315]	62.23 [2.450]	66.60 [2.622]	68.94 [2.714]	78.23 [3.080]	100	749085-9
Y	15.24 [.600]	52.45 [2.065]	30.48 [1.200]	34.85 [1.372]	37.19 [1.464]	46.48 [1.830]	50	749085-5
PWB BOARD	S	R	P	N	M	L	NO. OF POSN	PART NUMBER

THIS DRAWING IS A CONTROLLED DOCUMENT.		DWN: JACK ROOT 5-2-89	Tyco Electronics Corporation Harrisburg, PA 17105-3608
DIMENSIONS: mm [INCHES]		CHK: M. VISELLI 5-2-89	
TOLERANCES UNLESS OTHERWISE SPECIFIED:		AP'D: R. WHITEMAN 5-3-89	NAME: Tyco Electronics Corporation
0 PLC ± -	1 PLC ± -	2 PLC ± -	PRODUCT SPEC: PLUG ASSEMBLY, SHIELDED, VERTICAL, AMPLIMITE .050 Series
3 PLC ± 0.38 [015]	4 PLC ± -	ANGLES ± -	APPLICATION SPEC: -
MATERIAL: Δ	FINISH: Δ	WEIGHT: -	RESTRICTED TO: -
CUSTOMER DRAWING		SIZE: A1	SCALE: 4:1
CAGE CODE: 00779		DRAWING NO: 749085	SHEET: 1 OF 1
REV: J		REV: J	