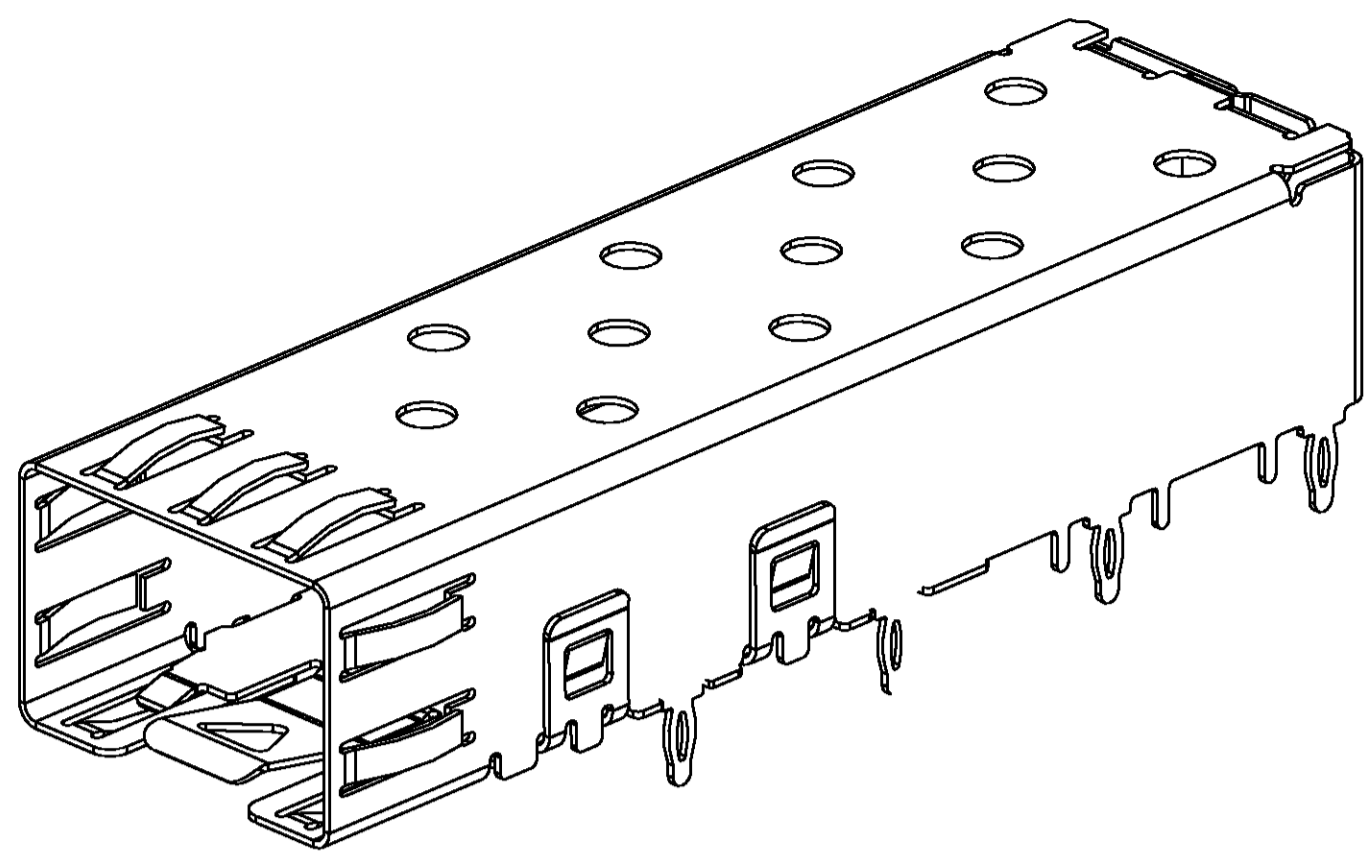
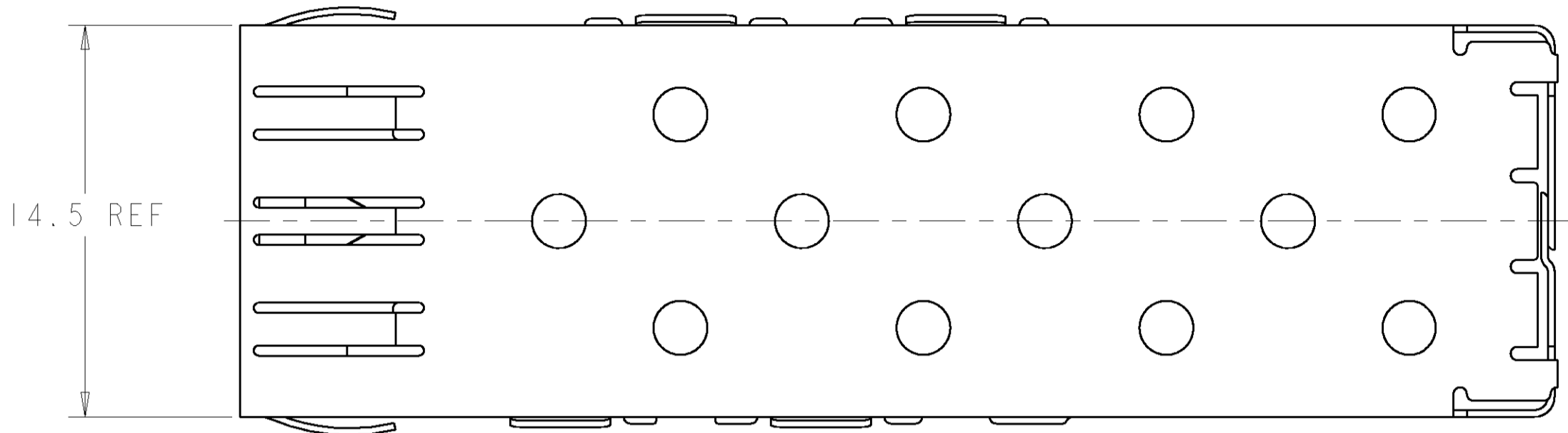


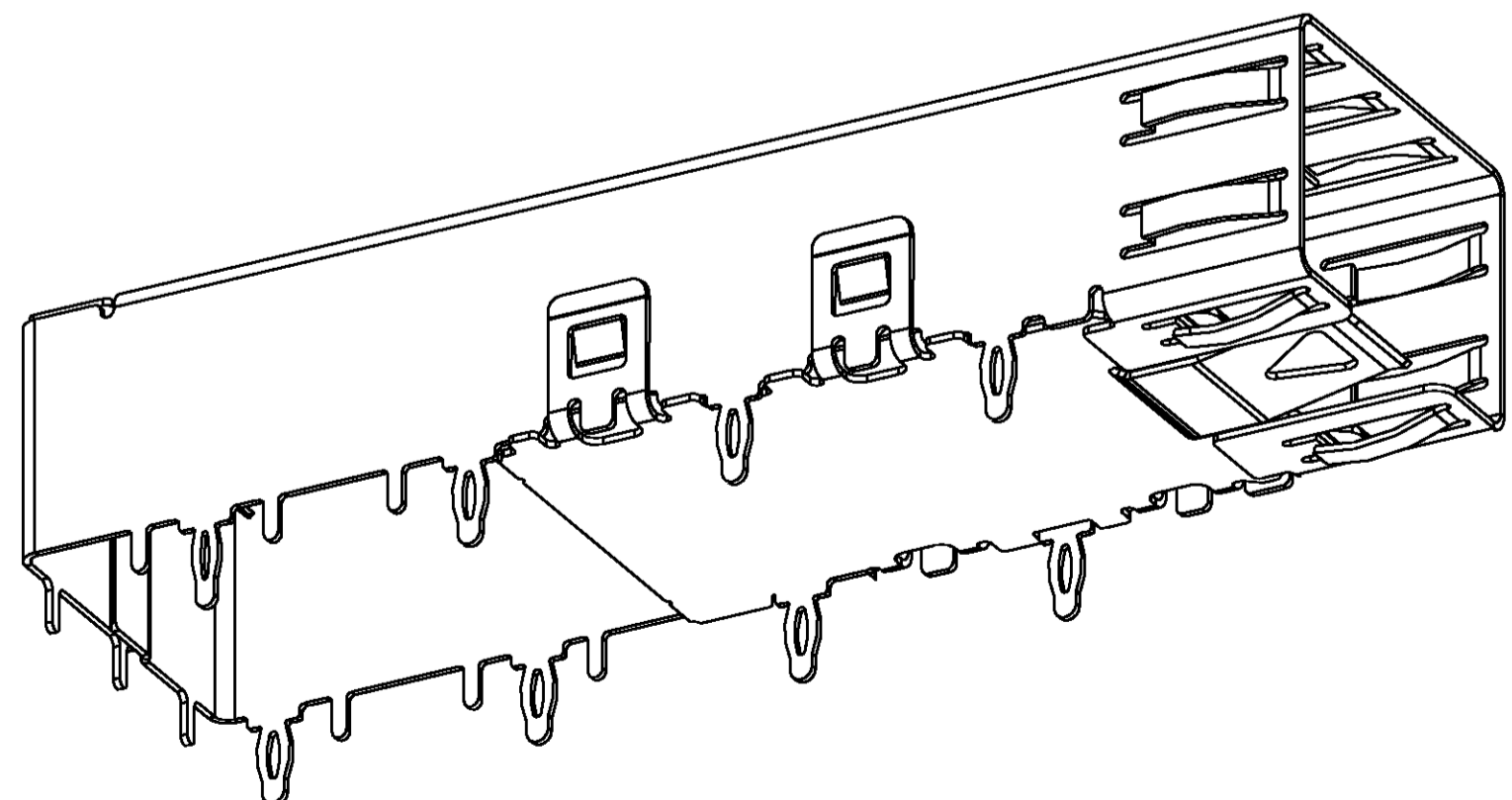
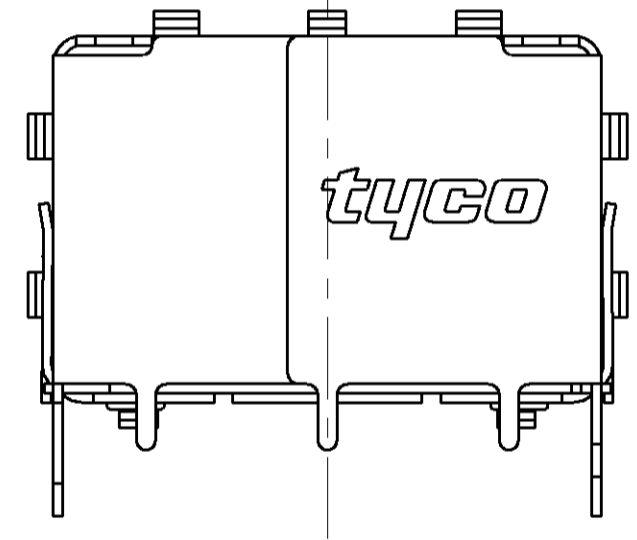
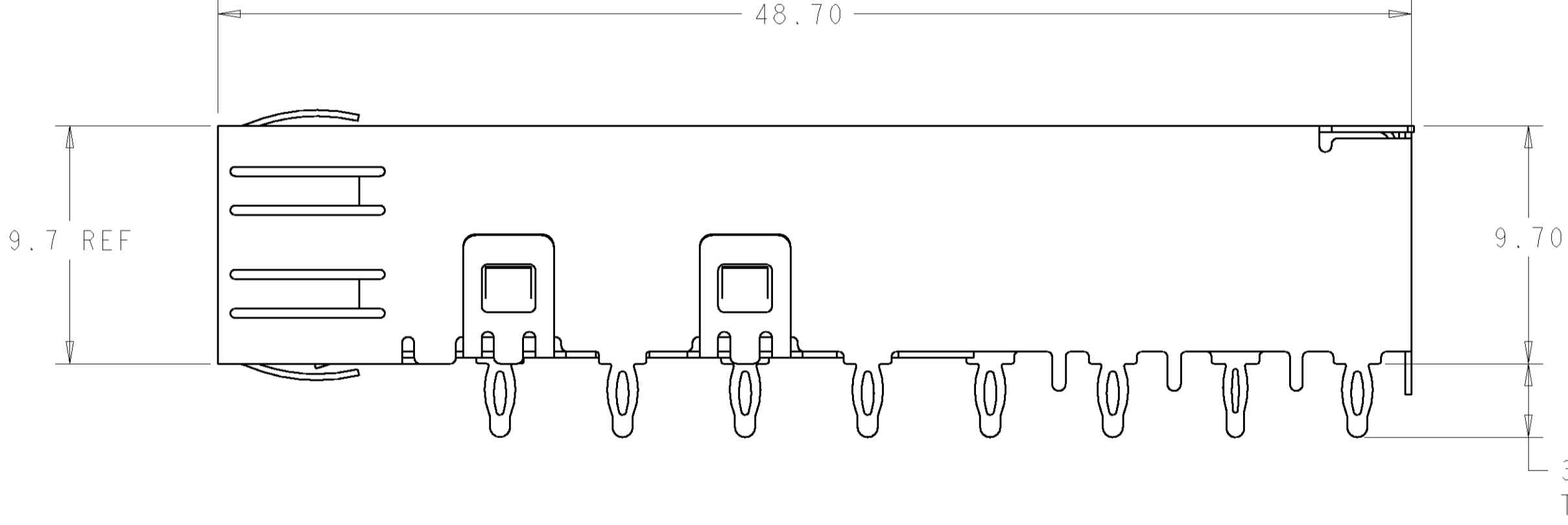
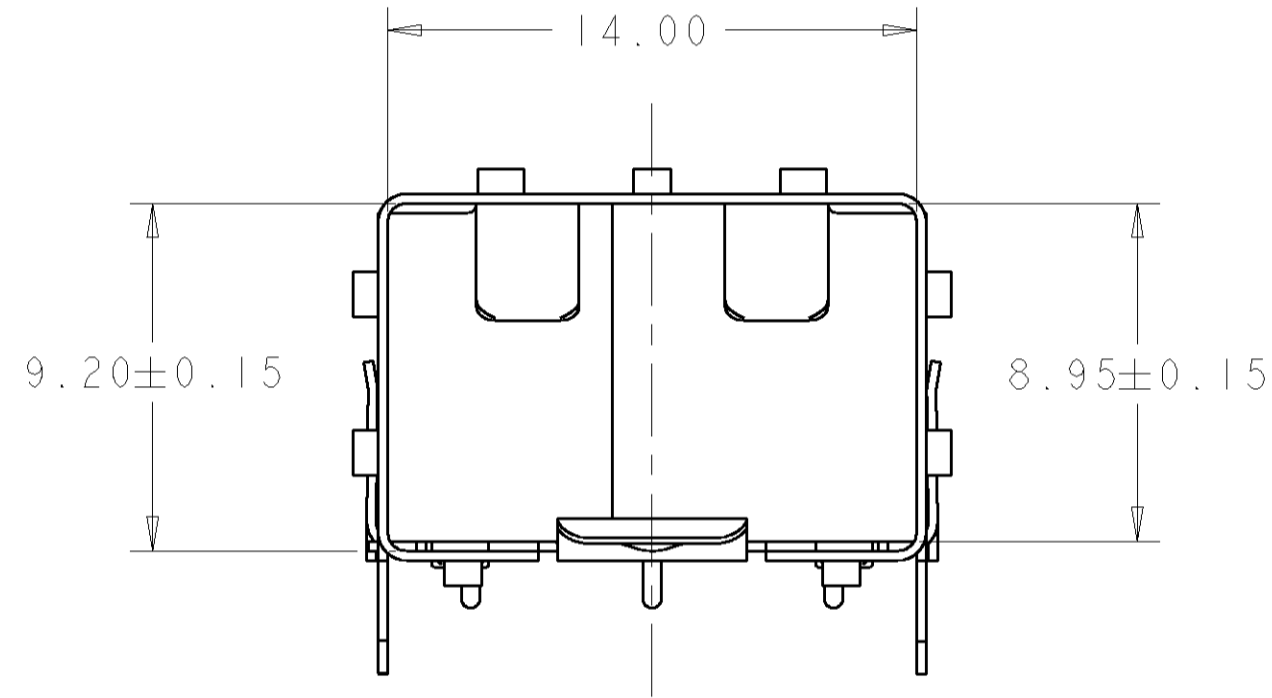
LOC		DIST		REVISIONS			
GP	00	P	LTR	DESCRIPTION	DATE	DWN	APVD
		B		REVISED PER EC 0513-0662-04	07FEB05	JG	PD
		B1		REVISED PER ECO-05-016691	24FEB06	BM	SS



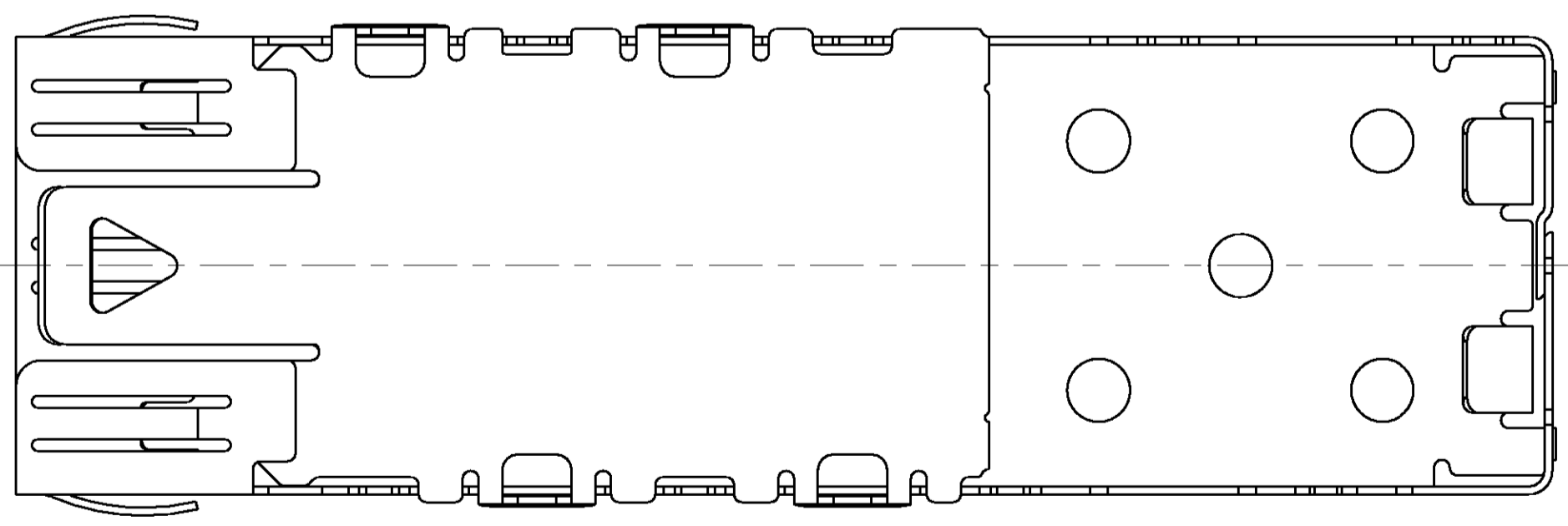
SCALE 4:1



- △ 0.25 THICK COPPER ALLOY.
- △ TIN. NONPLATED EDGES PERMISSIBLE.
- 3. SFP MSA COMPATIBLE.
- △ PADS AND VIAS CHASSIS GROUND.
- △ DATUM AND BASIC DIMENSION ESTABLISHED BY CUSTOMER.
- 6. MINIMUM PC BOARD THICKNESS:
 SINGLE SIDED= 1.45
 DOUBLE SIDED= 3.00



SCALE 4:1

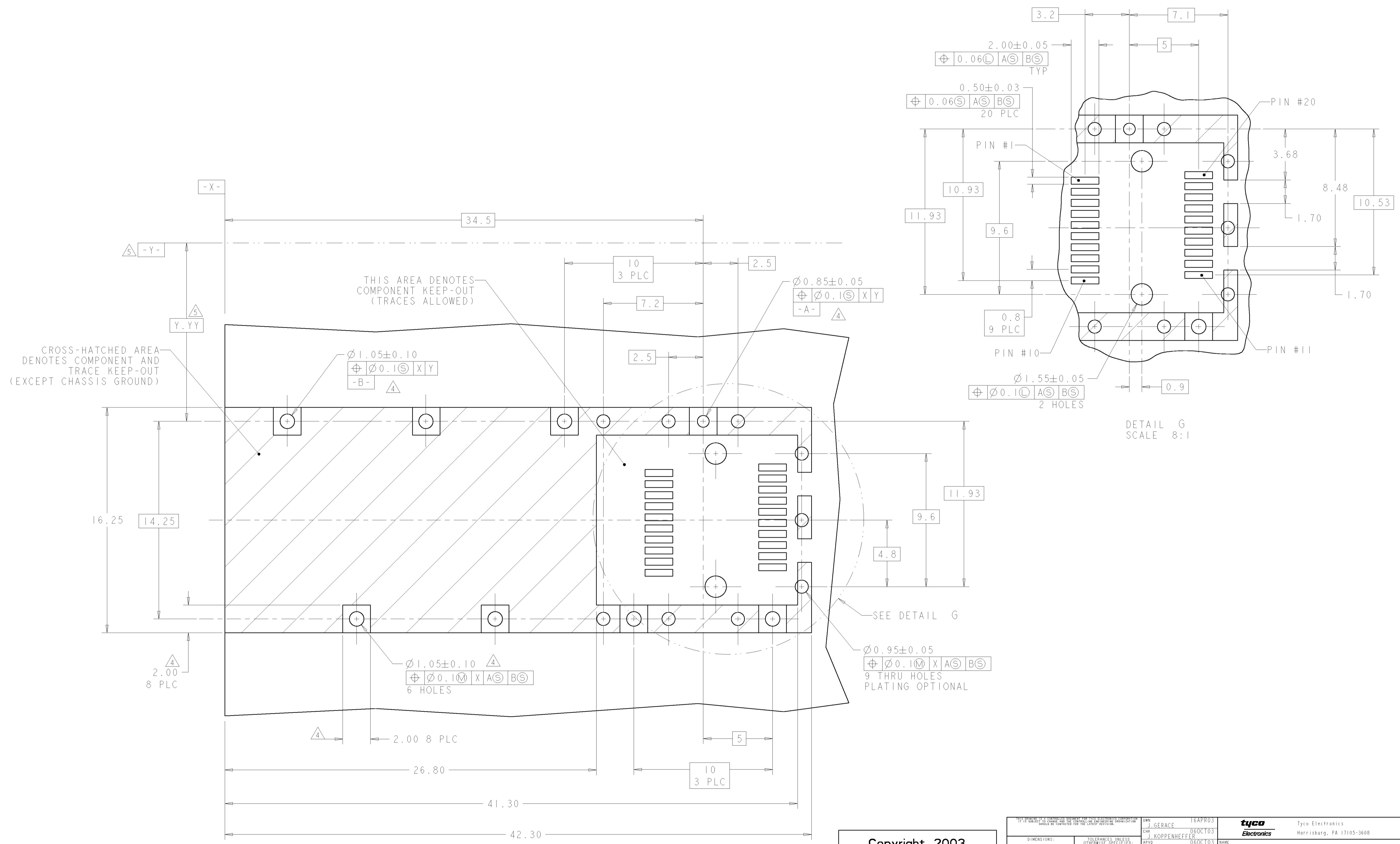


1658524-1
 PART NUMBER

Copyright 2003
 Tyco Electronics Corp
 All Rights Reserved

DIMENSIONS: mm 		TOLERANCES UNLESS OTHERWISE SPECIFIED: 0 PLC ± 1 PLC ±0.10 2 PLC ± 3 PLC ± 4 PLC ± ANGLES ± FINISH		DWN J. GERACE 16APR03 CDR J. KOPPENHEFFER 06OCT03 APVD M. WALMSLEY 06OCT03 PRODUCT SPEC 108-1950 APPLICATION SPEC 114-13120 WEIGHT - CUSTOMER DRAWING		Tyco Electronics Harrisburg, PA 17105-3608 NAME CAGE ASSEMBLY, 8 PRESS FIT, SFP SIZE CAGE CODE DRAWING NO. RESTRICTED TO A100779C=1658524 SCALE 5:1 SHEET 1 OF 2 REV B1	
-----------------------	--	---	--	---	--	--	--

LOC	DIST	P	LTR	DESCRIPTION	DATE	DRN	APVD
GP	00	-	-	SEE SHEET 1	-	-	-



CROSS-HATCHED AREA DENOTES COMPONENT AND TRACE KEEP-OUT (EXCEPT CHASSIS GROUND)

THIS AREA DENOTES COMPONENT KEEP-OUT (TRACES ALLOWED)

DETAIL G SCALE 8:1

RECOMMENDED PCB LAYOUT SCALE 8:1

Copyright 2003 Tyco Electronics Corp All Rights Reserved

<small>THE INFORMATION CONTAINED HEREIN IS UNCLASSIFIED EXCEPT WHERE SHOWN OTHERWISE. IT IS THE POLICY OF TYCO ELECTRONICS CORPORATION TO RELEASE THIS INFORMATION UNLESS OTHERWISE SPECIFIED BY THE CUSTOMER OR BY THE COMPANY'S POLICY.</small>		DWN J. GERACE 16APR03 ENR J. KOPPENHEFFER 06OCT03 APVD M. WALMSLEY 06OCT03	tyco Tyco Electronics Harrisburg, PA 17105-3608
DIMENSIONS: mm TOLERANCES UNLESS OTHERWISE SPECIFIED: 0 PLC ± 1 PLC ±0.10 2 PLC ± 3 PLC ± 4 PLC ± ANGLES ±	PRODUCT SPEC 108-1950 APPLICATION SPEC 114-13120 WEIGHT - FINISH -	NAME CAGE ASSEMBLY, 8 PRESS FIT, SFP SIZE CAGE CODE DRAWING NO. RESTRICTED TO A100779C=1658524	SCALE 5:1 SHEET 2 OF 2 REV B1
CUSTOMER DRAWING			