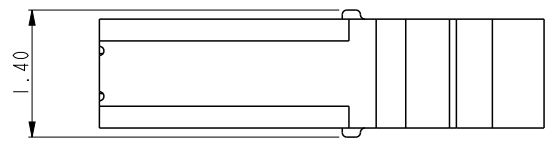
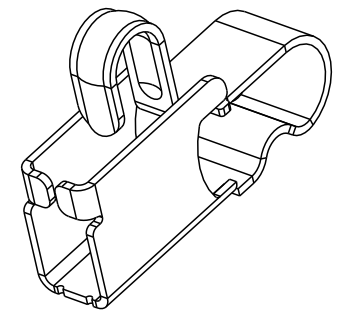
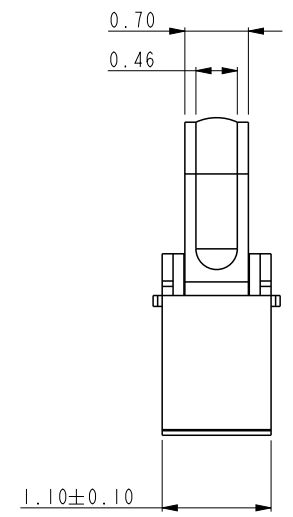
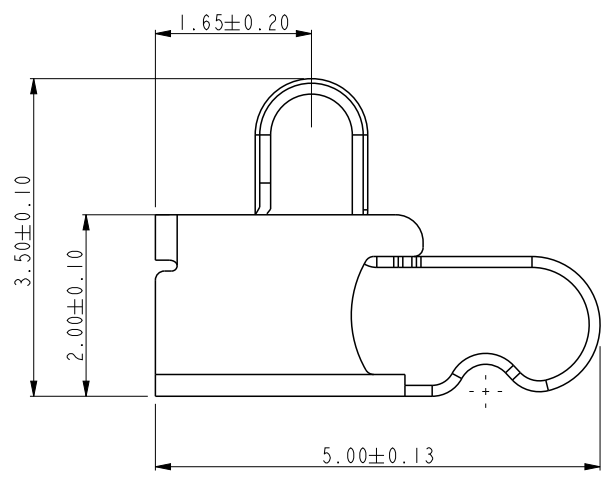




Copyright FCI.

	PRODUCT NO.
FCI	10118532-001RLF 10118532-003RLF 10118532-009RLF



NOTES:
 1.MATERIAL: COPPER ALLOY.
 2.CONTACT PLATING:
 CONTACT AREA: PLATING Au OR GXT OVER Ni UNDERPLATE.
 (GXT = GOLD FLASH + PdNi)
 SOLDER AREA: PLATING GOLD FLASH OVER Ni UNDERPLATE.
 3.PACKAGING: TAPE & REEL
 4.PART NUMBER DESCRIPTION:
 10118532-0 0 X X X
 L: LEAD FREE
 R : TAPE & REEL
 CONTACT PLATING:
 1 : 1um Au over Ni
 3 : Gold flash over Ni
 9 : 1um GXT over Ni

rev	ecn no	dr	date
A	INITIAL RELEASE	AL	2012-08-24

spec ref	*	dr	Andy Lu	2012/08/24	projection	mm	size	A4	scale	12.000
tolerance std	ASME Y14.5	eng	Andy Lu	2012/08/24			ecn no		-	
TOLERANCES UNLESS OTHERWISE SPECIFIED		chr	-	-			rel level		Released	
surface	linear	appr	Pei-Ming Zheng	2012/08/24	product family	-	dwg no	10118532	rev	A
ASME Y14.5	angular	www.fci.com		cat. no.	10104321	Product - Customer Drw	sheet 1 of 1			
	0.X	±0.3								
	0.XX	±0.15								
	0.XXX	±0.050								
	0°	±2°								

Pro/E File - REV C - 2009-06-09