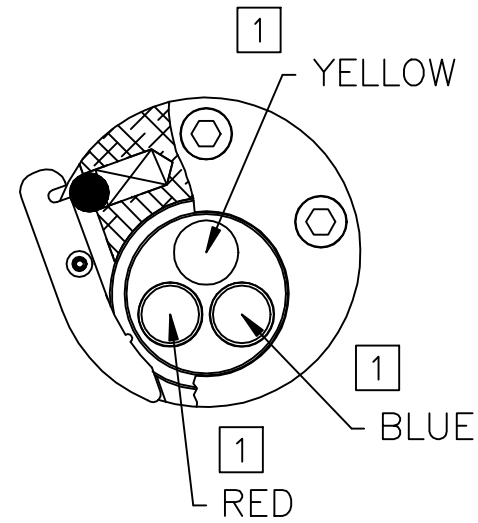
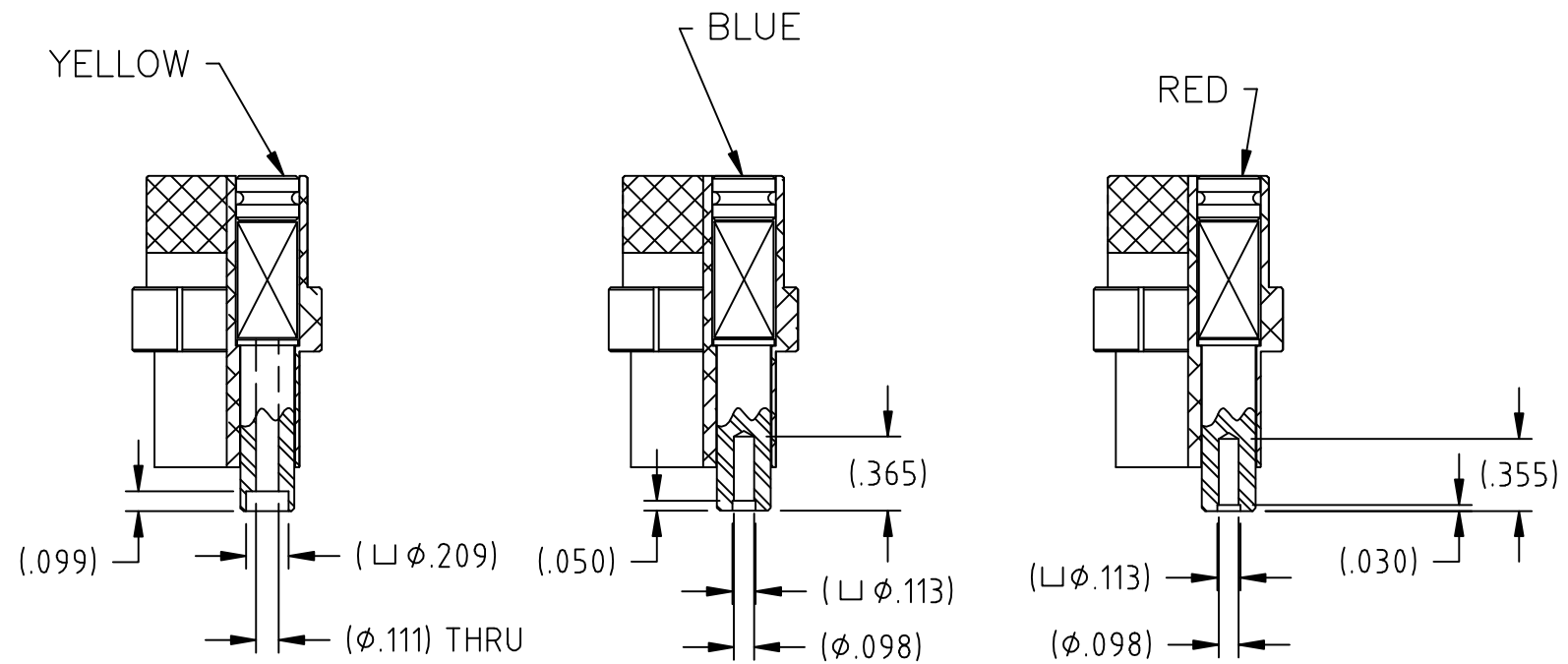
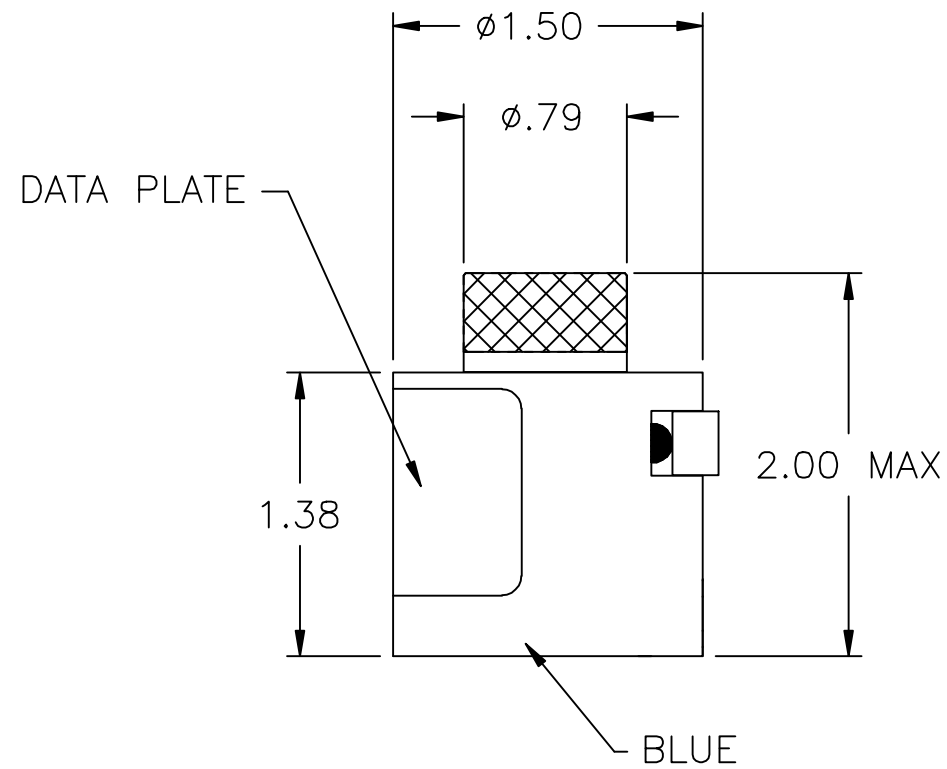


**UNCONTROLLED DOCUMENT  
WILL NOT BE UPDATED**



1 RANDOM ORDER OF ROTATION IS ACCEPTABLE



TYPICAL CONSTRUCTION

CONTACTS	COLOR CODE	12	14	16	18	20	22	24	26	WIRE SIZE	SELECTOR NUMBER
BURNDY YHMM20-2DB8	RED					7	6	5			
YHMM22-2DB8						7	6	5			
YHMM16-5DB8	BLUE			7	7	6	6				
YHMM12-2DB8	YELLOW	8	8								

DATA PLATE

THESE DRAWINGS, SPECIFICATIONS OR OTHER DATA ARE AND REMAIN, THE PROPERTY OF ASTRO TOOL CORP. AND MUST BE RETURNED UPON REQUEST. THEY CONTAIN INFORMATION OWNED AND/OR DEVELOPED BY ASTRO AT ITS OWN PRIVATE EXPENSE AND MAY NOT BE USED, DUPLICATED OR DISCLOSED TO OTHERS, IN WHOLE OR IN PART FOR DESIGN, MANUFACTURE OR PROCUREMENT WITHOUT THE WRITTEN PERMISSION OF ASTRO TOOL CORP. EACH AND EVERY TIME.

SCALE: N.T.S.  
DWN BY: DYO  
DATE: 08-14-13  
APPROVED:

UNLESS OTHERWISE SPECIFIED:  
DECIMALS:  
.XXX ± .005  
.XX ± .010  
.X ± .030  
ANGLES: ± 1°

**ASTRO TOOL CORP.**  
21615 S.W. TUALATIN VALLEY HWY., BEAVERTON OR 97006  
CAGE 58164

DESCRIPTION: ENVELOPE DRAWING: 650069  
TURRET ASSEMBLY

PART NO. B 650069-ENV

REV.	DESCRIPTION	BY	DATE	APR.
	A NEW RELEASE.	DYO	08-14-13	MMK

NOTES: 1. THIS IS AN AUTOCAD DRAWING DO NOT CHANGE MANUALLY.