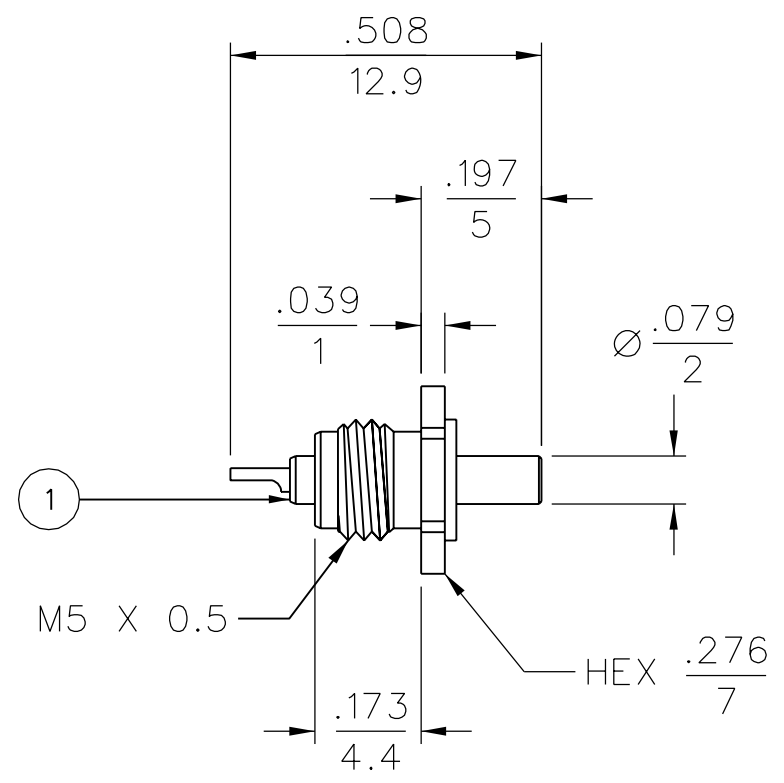


PART NUMBER	ITEM ① INSPECTION TOOL FOR CABLE ASSY
134-1019-381	BODY - STAINLESS STEEL - GOLD PLATED CONTACT - BRASS - GOLD PLATED INSULATOR - FLUORINE PLASTICS

DRAWING NO. B- 134-1019-381/390	
0	REVISIONS
ENGINEERING RELEASE	
1	12-1-06 P A T S B D R J B P D W 12-27-06 ECN 50796



NOTES:

1. SPECIFICATIONS:

IMPEDANCE: 50 OHMS
 FREQUENCY RANGE: 0-6 GHz
 VSWR: 1.30 MAX AT 0-6 GHz

MECHANICAL (UMC):

COMPATIBILITY: MATES WITH U.FL SERIES
 DISENGAGEMENT FORCE (MIN): 0.15 N (FEMALE CONTACT)
 DURABILITY: N/A

ENVIRONMENTAL:

TEMPERATURE RANGE: -40°C TO +90°C

2. APPLICATION:

PLEASE USE THIS CONNECTOR FOR
 SHORT CIRCUIT INSPECTION AND DIELECTRIC
 WITHSTANDING VOLTAGE INSPECTION

CUSTOMER DRAWING

THIS DRAWING TO BE INTERPRETED
 PER ASME Y 14.5M - 1994

"μSTATION"

COMPANY CONFIDENTIAL

TOLERANCE UNLESS OTHERWISE SPECIFIED		DRAWN BY	DATE
DECIMALS	mm	SBD	11/29/06
.XX	_____	CHECKED BY	DATE
.XXX	REF _____	RJB	12-13-06
MATL _____		APPROVED BY	DATE
FINISH _____		PDW	12-21-06
		RELEASE DATE	12-27-06
		U/M INCH/mm	SCALE 3:1

		Connectivity Solutions P.O. Box 1732 Waseca, MN 56093 1-800-247-8256	
		TITLE UMC INSPECTION TOOL FOR CABLE ASSY	
SHEET 2 OF 2	DRAWING NO. B- 134-1019-381/390		