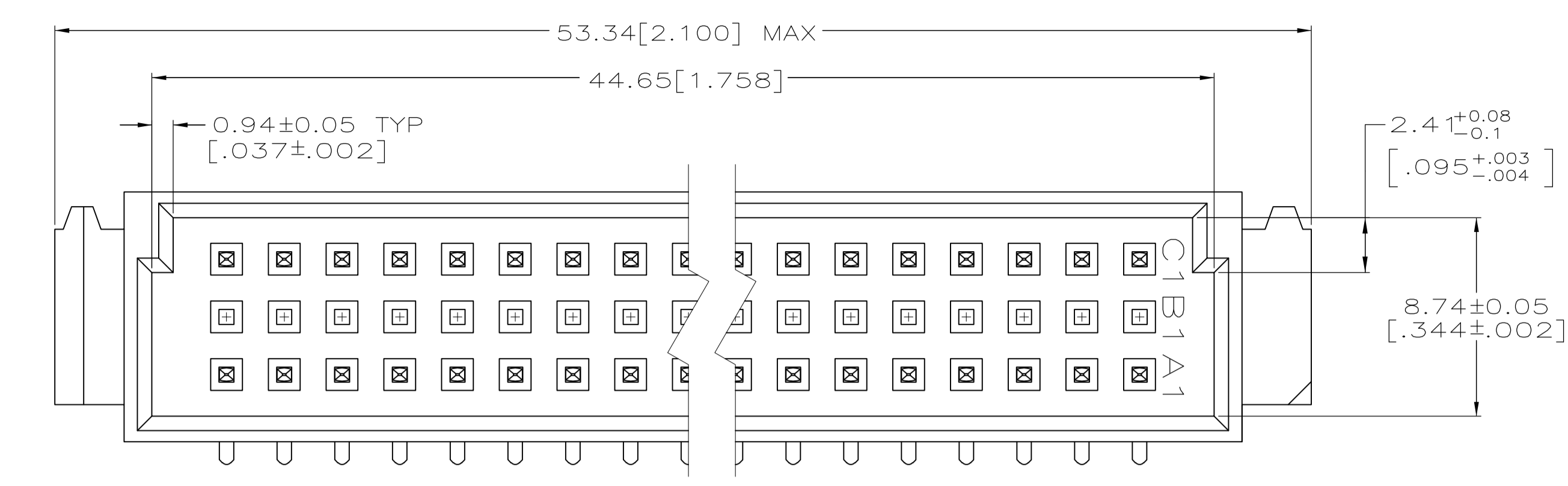
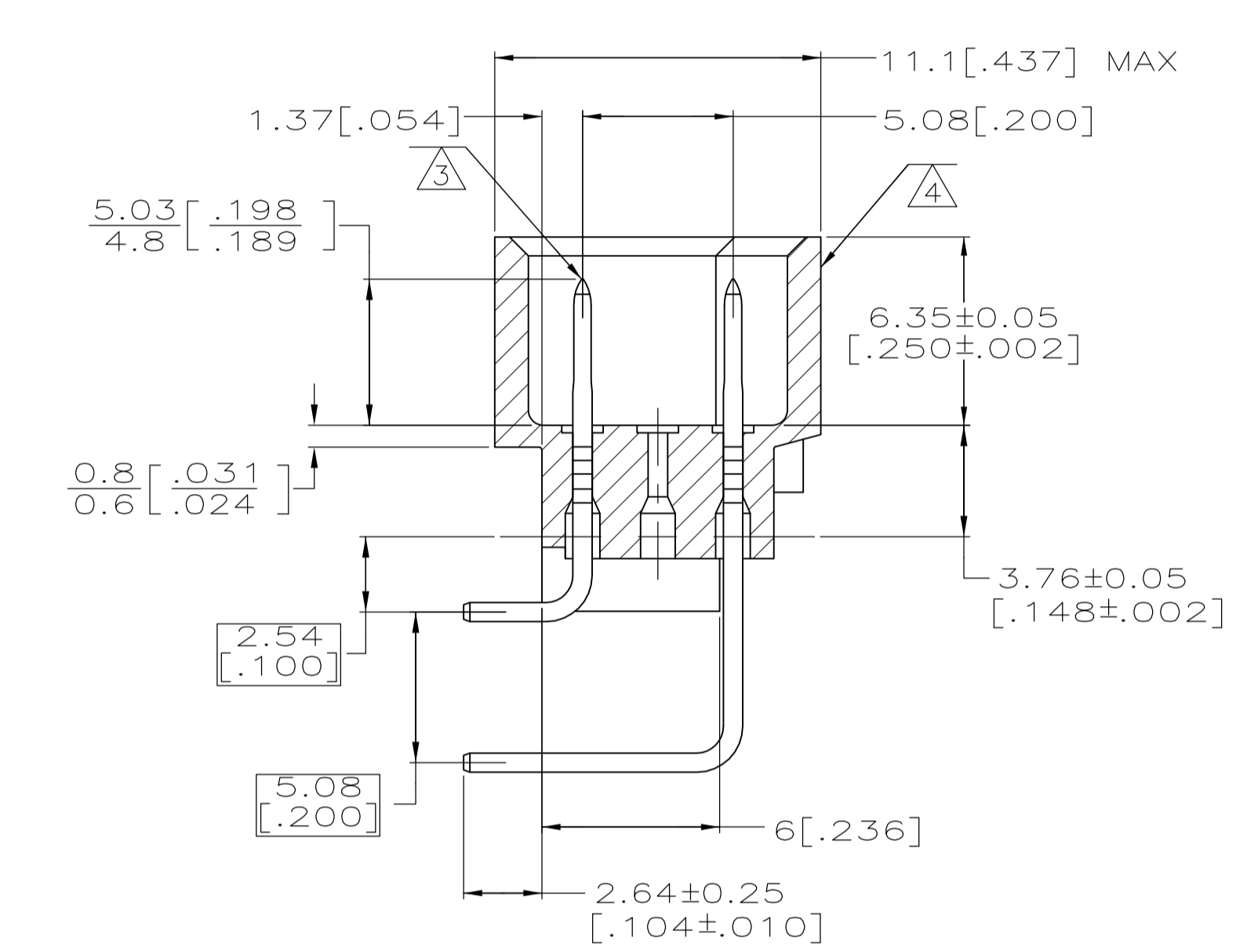
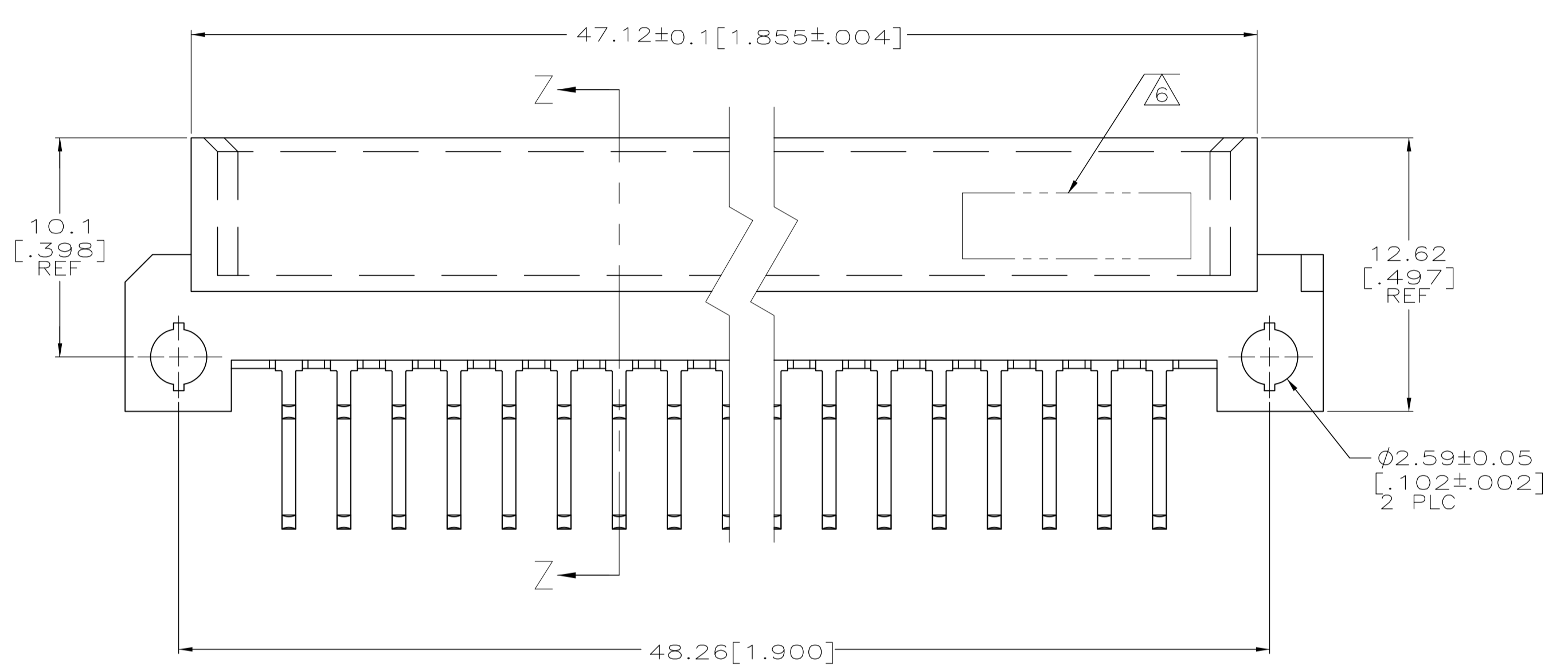


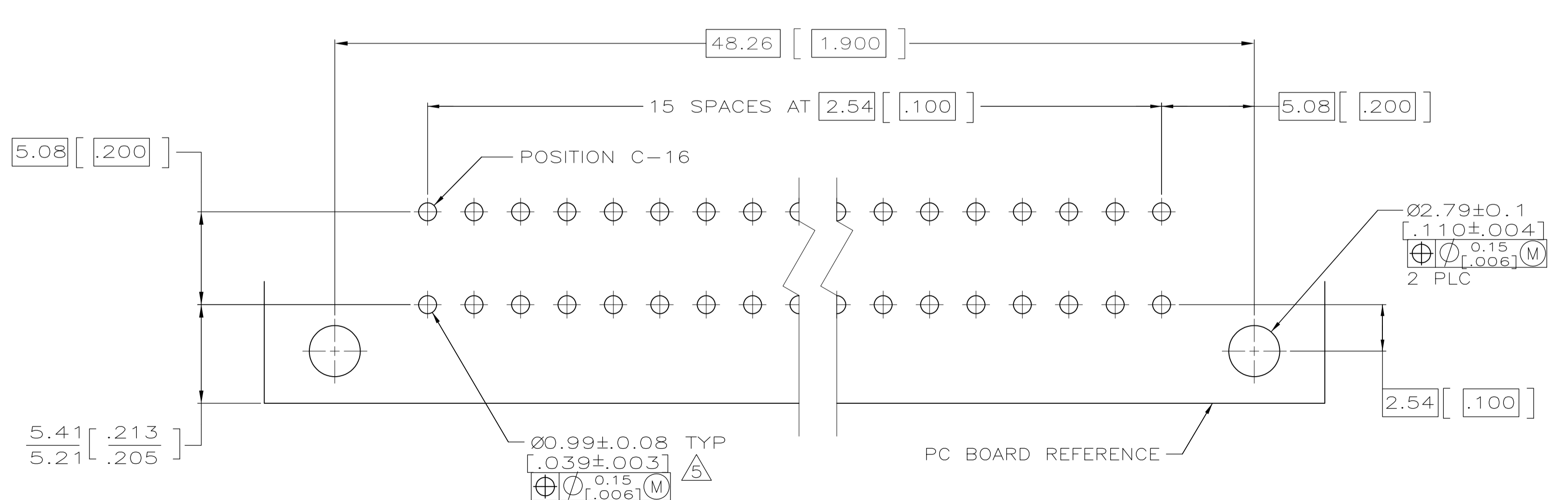
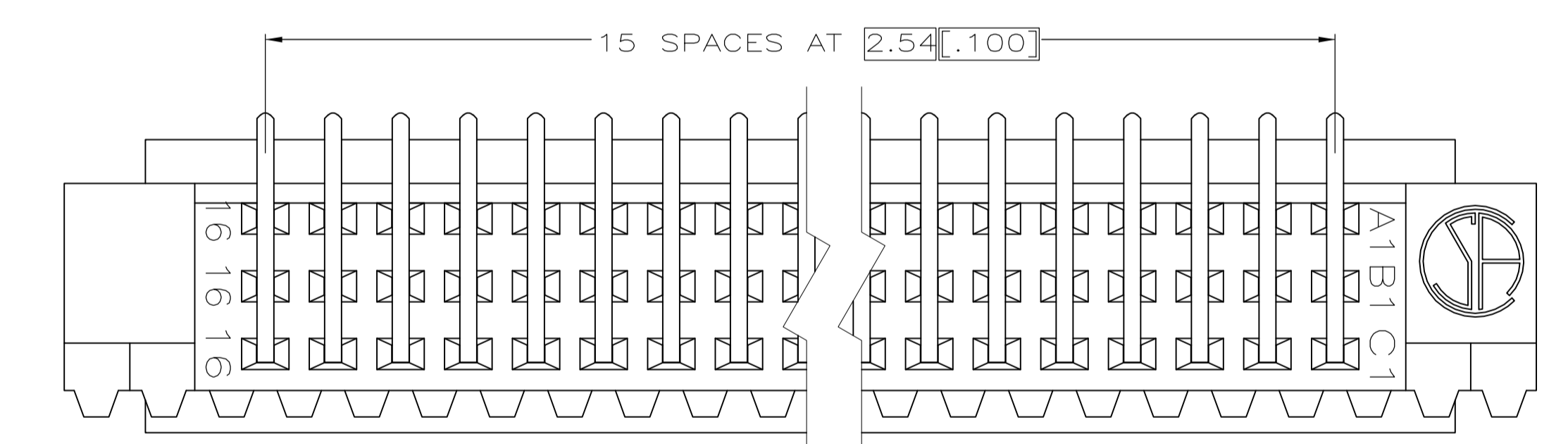
LOC		DIST		REVISIONS			
AD	25	F	LTR	DESCRIPTION	DATE	DMN	APVD
		01		REVISED PER ECO-07-018157	21AUG07	DH	DB



- 1 HOUSING MATERIAL: GLASS-FILLED POLYMER.
- 2 POST MATERIAL: COPPER ALLOY.
- 3 POST FINISH: DIN 41612 CLASS 2 IN CONTACT AREA. TIN PLATE ON POSTS.
- 4 MARKING ON THIS SIDE.
- 5 RECOMMENDED HOLE SIZE FOR MANUAL APPLICATION OF CONNECTOR ONTO PC BOARD.
- 6 PART NUMBER, DATE CODE MARKED THIS APPROXIMATE AREA.



SECTION Z-Z



PC BOARD LAYOUT

1-16	X	-	X	32	5650946-5
POSITIONS LOADED	C	B	A	NO. OF LOADED POSITION	ASSY PART NUMBER

THIS DRAWING IS A CONTROLLED DOCUMENT.

DIMENSIONS: mm [INCHES]	TOLERANCES UNLESS OTHERWISE SPECIFIED:	DIN J. POLIGNONE	OSMAYOS	Tyco Electronics Corporation	
0 PLC ± -	1 PLC ± -	OSMAYOS	OSMAYOS	Harrisburg, PA 17105-3608	
2 PLC ± 0.13[.005]	3 PLC ± -	APVD A. SHARPE	OSMAYOS	NAME ASSEMBLY, PIN, EUROCARD, TYPE 1/2C, A and C, 32/48 POSITION, 2.64[.104] SOLDER POST, SELECT LOAD	
4 PLC ± -	ANGLES ± -	PRODUCT SPEC		APPLICATION SPEC	
MATERIAL	FINISH	SIZE	CAGE CODE	DRAWING NO	RESTRICTED TO
1/2	3	A1	00779	5650946	
CUSTOMER DRAWING		SCALE	SHEET	REV	
		5:1	1 of 1	01	