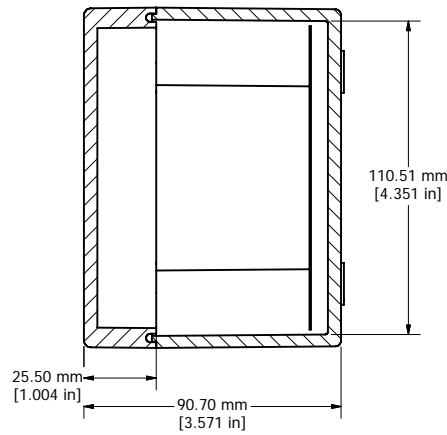
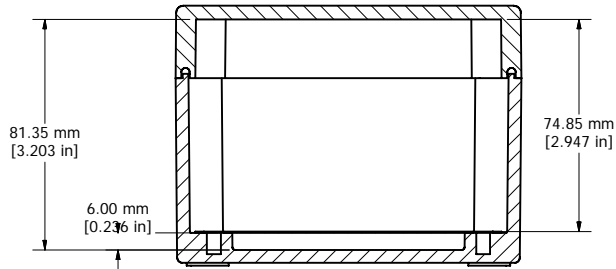
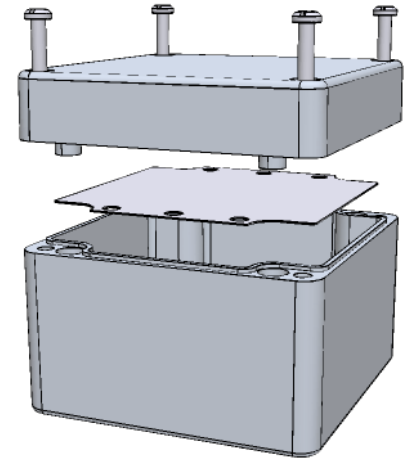


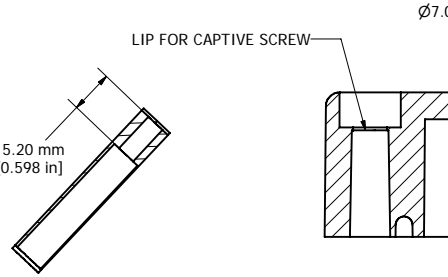
ASSEMBLY



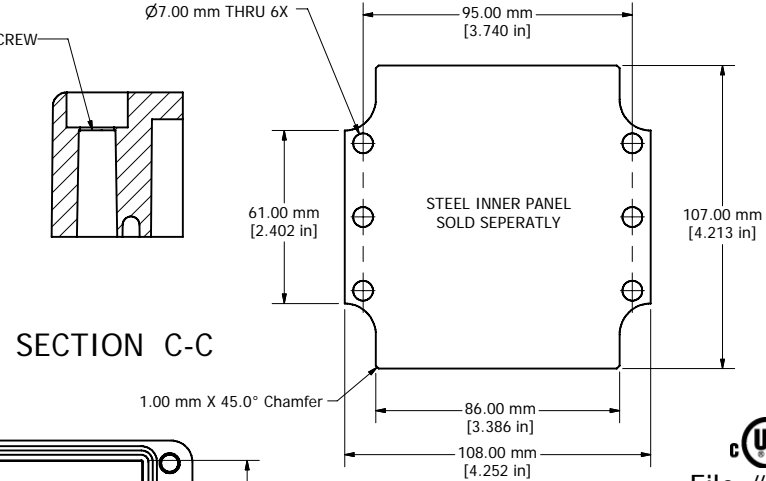
SECTION A-A



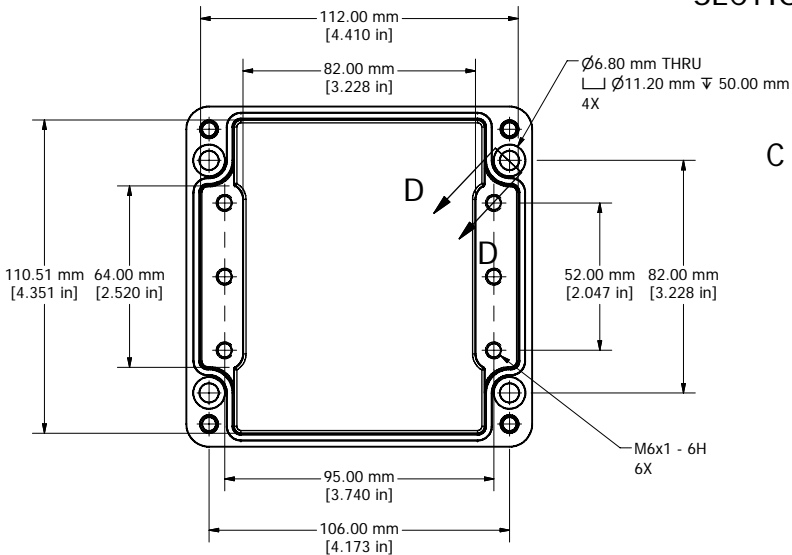
SECTION B-B



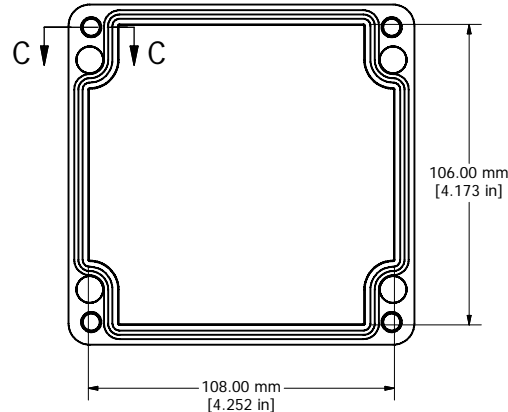
SECTION D-D



SECTION C-C



BOX - INSIDE



LID - INSIDE

INNER PANEL



File #E65324
NEMA 4, 4X

FIBERGLASS ENCLOSURE	
INCLUDES	
1	ENCLOSURE
4	M5 x 30mm PAN HEAD SCREWS
ACCESSORIES	
STEEL INNER PANEL	1590ZGRP121PL



HAMMOND
MANUFACTURING™

1590ZGRP121

www.hammondmfg.com