

AFBR-703SNZ

10Gb Ethernet, 850 nm, 10GBASE-SR,
mini-SFP+ (mSFP) Transceiver



Product Brief



Description

The Avago AFBR-703SNZ transceiver is with a mini-SFP+ (mSFP) form factor that is smaller than the standard SFP+ form factor defined by the SFF 8432 mechanical specs. This product is part of a family of SFP+ products, but can be used for even higher density 10Gb Ethernet application than what the SFP+ form factor can serve today. Both the mSFP and the SFP+ form factors share the same management interface specs and optical specs. Both the mSFP SR transceiver and the SFP+ SR transceiver utilize Avago's 850nm VCSEL and PIN detector technology to provide an IEEE 10GbE design compliant with the 10GBASE-SR standard.

Related Products

- The AFBR-703SDZ (AFBR-703ASDZ) is a SFP+ 10 Gigabit Ethernet 10GBASE-SR transceiver with case temperature operated at 0-70 (0-85) °C for use on multimode fiber cables. It is best suited for OM3 high bandwidth MMF link applications with link lengths up to 300 meters.
- The AFBR-707SDZ (AFBR-707ASDZ) is a SFP+ 10 Gigabit Ethernet 10GBASE-LRM transceiver for 220 meter operation in all MMF link applications including OM1 and OM2 legacy fiber cables and new high bandwidth OM3 fiber cables.
- The AFCT-701SDZ (AFCT-701ASDZ) is a SFP+ 10 Gigabit Ethernet 10GBASE-LR transceiver with case temperature 0-70 (0-85) °C for operation in SMF link applications to 10 km

Features

- Avago 850nm VCSEL source and Transmitter Optical Subassembly technology
- Avago PIN detector and Receiver Optical Subassembly technology
- Typical power dissipation 600mW
- Full digital diagnostic management interface
- Avago mSFP package design enables equipment EMI performance in high port density applications with margin to Class B limits

Specifications

- Optical interface specifications per IEEE 802.3ae 10GBASE-SR
- Electrical interface specifications per SFF Committee SFF 8431 Specifications for Enhanced 8.5 and 10 Gigabit Small Form Factor Pluggable Module "SFP+"
- Management interface specifications per SFF Committee SFF 8431 and SFF 8472 Diagnostic Monitoring Interface for Optical Transceivers
- LC Duplex optical connector interface conforming to ANSI TIA/EA 604-10 (FOCIS 10A)
- Compliant to Restriction on Hazardous Substances (RoHS) per EU and China requirements
- Class 1 Eye safe per requirements of IEC 60825-1 / CDRH

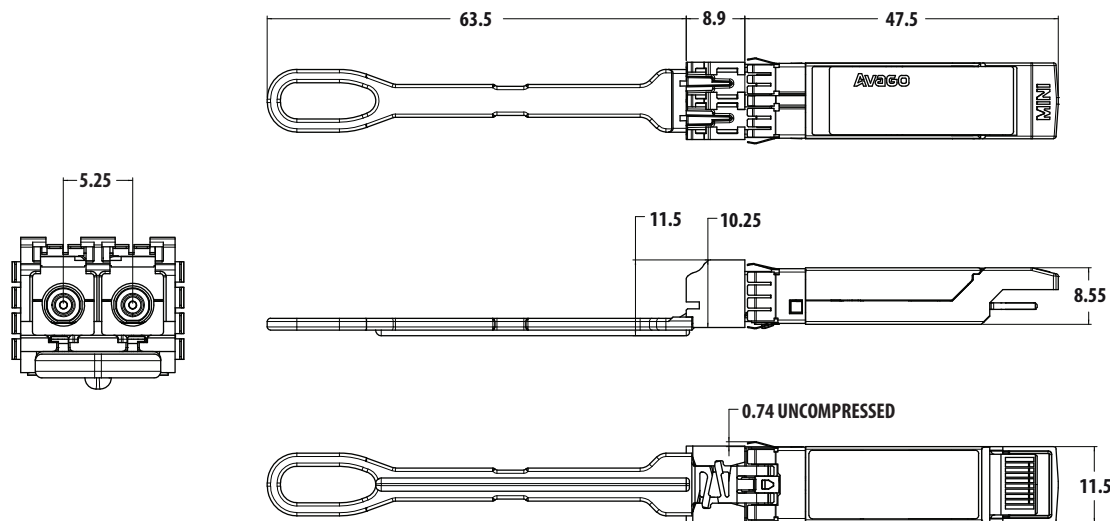


Figure 7. Module drawing

Patch Cables for mSFP Connection

The mSFP patch cables listed below.

Type	Description	Length	Corning Part Number	Molex Part Number	Amphenol Part Number
mSFP to LC	mSFP LC – standard LC, duplex, multi-mode, OM3, 50/125	1m	S50502S5120001M	106273-0525	943-99865-10001
mSFP to LC	mSFP LC – standard LC, duplex, multi-mode, OM3, 50/125	2m	S50502S5120002M	106273-0526	943-99865-10002
mSFP to LC	mSFP LC – standard LC, duplex, multi-mode, OM3, 50/125	3m	S50502S5120003M	106273-0527	943-99865-10003
mSFP to LC	mSFP LC – standard LC, duplex, multi-mode, OM3, 50/125	5m	S50502S5120003M	106273-0528	943-99865-10005
mSFP to LC	mSFP LC – standard LC, duplex, multi-mode, OM3, 50/125	10m	S50502S5120010M	106273-0529	943-99865-10010
mSFP to mSFP	mSFP LC – mSFP LC, duplex, multi-mode, OM3, 50/125	1m	S55502S5120001M	106273-0560	943-99866-10001
mSFP to mSFP	mSFP LC – mSFP LC, duplex, multi-mode, OM3, 50/125	2m	S55502S5120002M	106273-0561	943-99866-10002
mSFP to mSFP	mSFP LC – mSFP LC, duplex, multi-mode, OM3, 50/125	3m	S55502S5120003M	106273-0562	943-99866-10003
mSFP to mSFP	mSFP LC – mSFP LC, duplex, multi-mode, OM3, 50/125	5m	S55502S5120005M	106273-0563	943-99866-10005
mSFP to mSFP	mSFP LC – mSFP LC, duplex, multi-mode, OM3, 50/125	10m	S55502S5120010M	106273-0564	943-99866-10010

For product information and a complete list of distributors, please go to our website: www.avagotech.com

Avago, Avago Technologies, and the A logo are trademarks of Avago Technologies in the United States and other countries.
 Data subject to change. Copyright © 2005-2011 Avago Technologies. All rights reserved.
 AV02-2827EN - February 21, 2011

