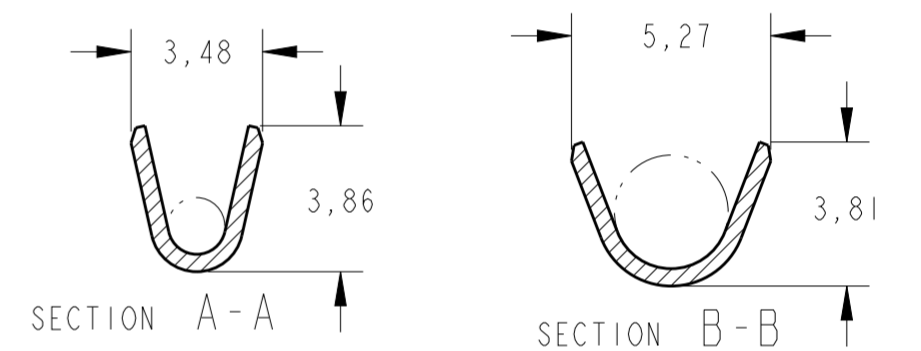
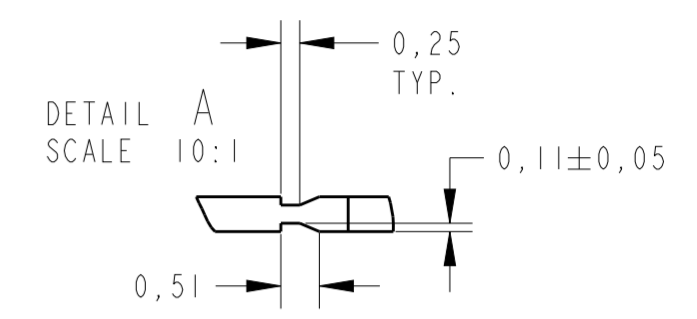
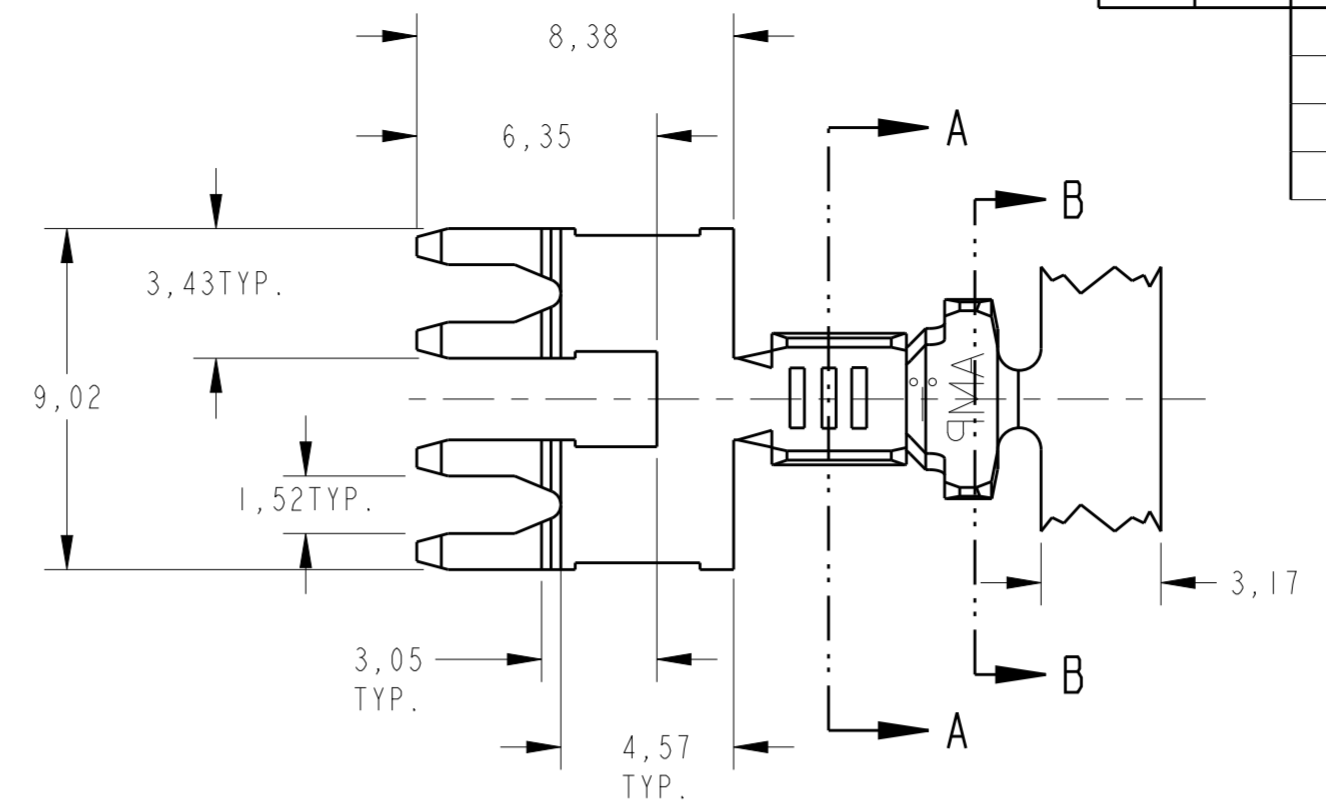
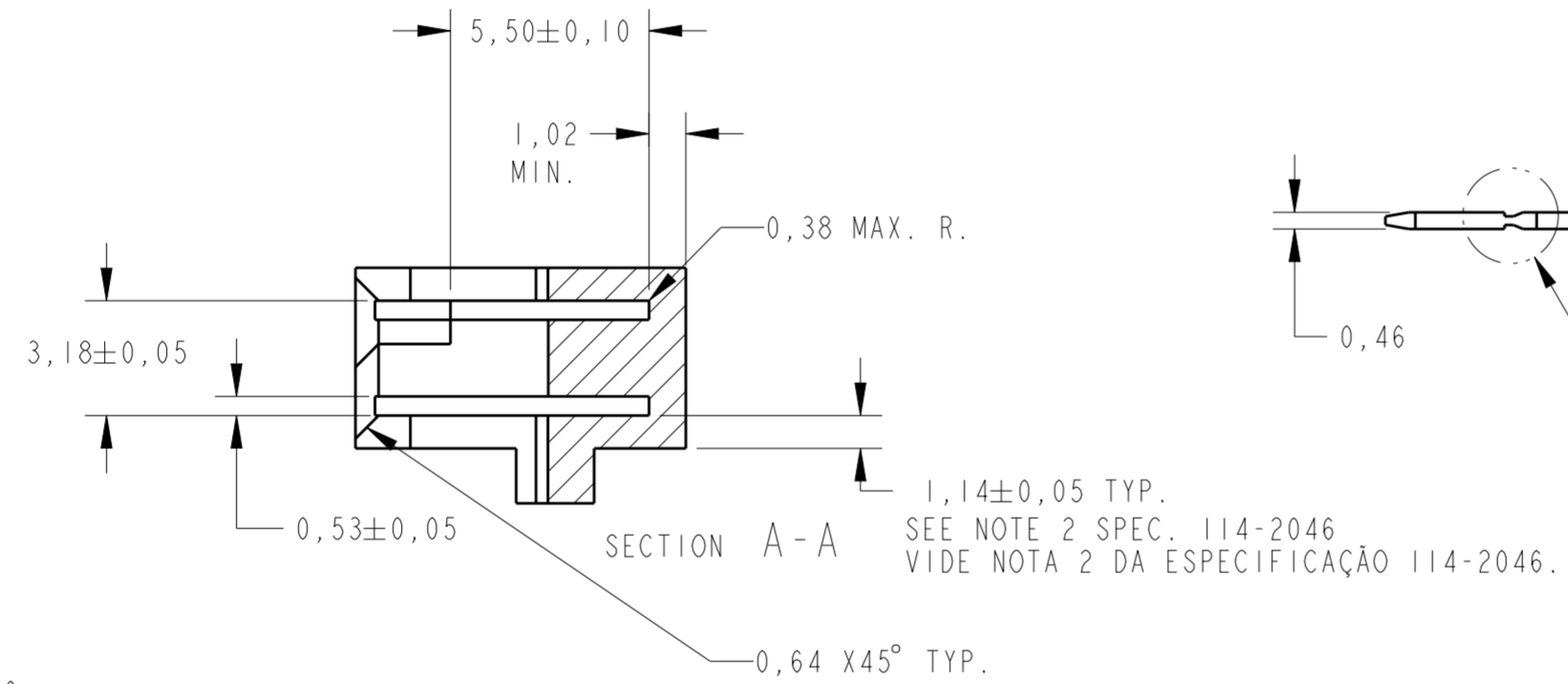
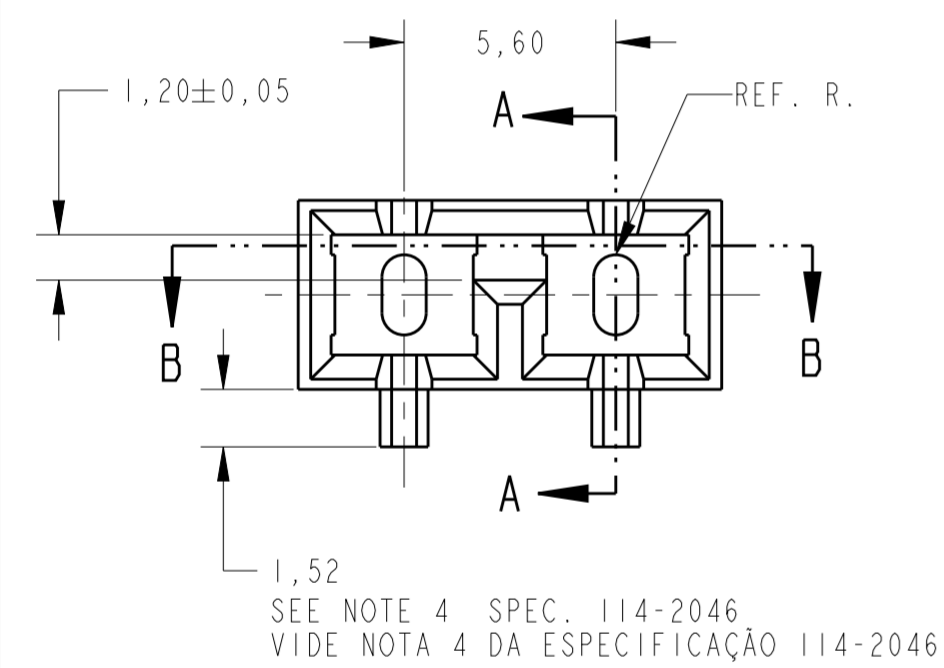
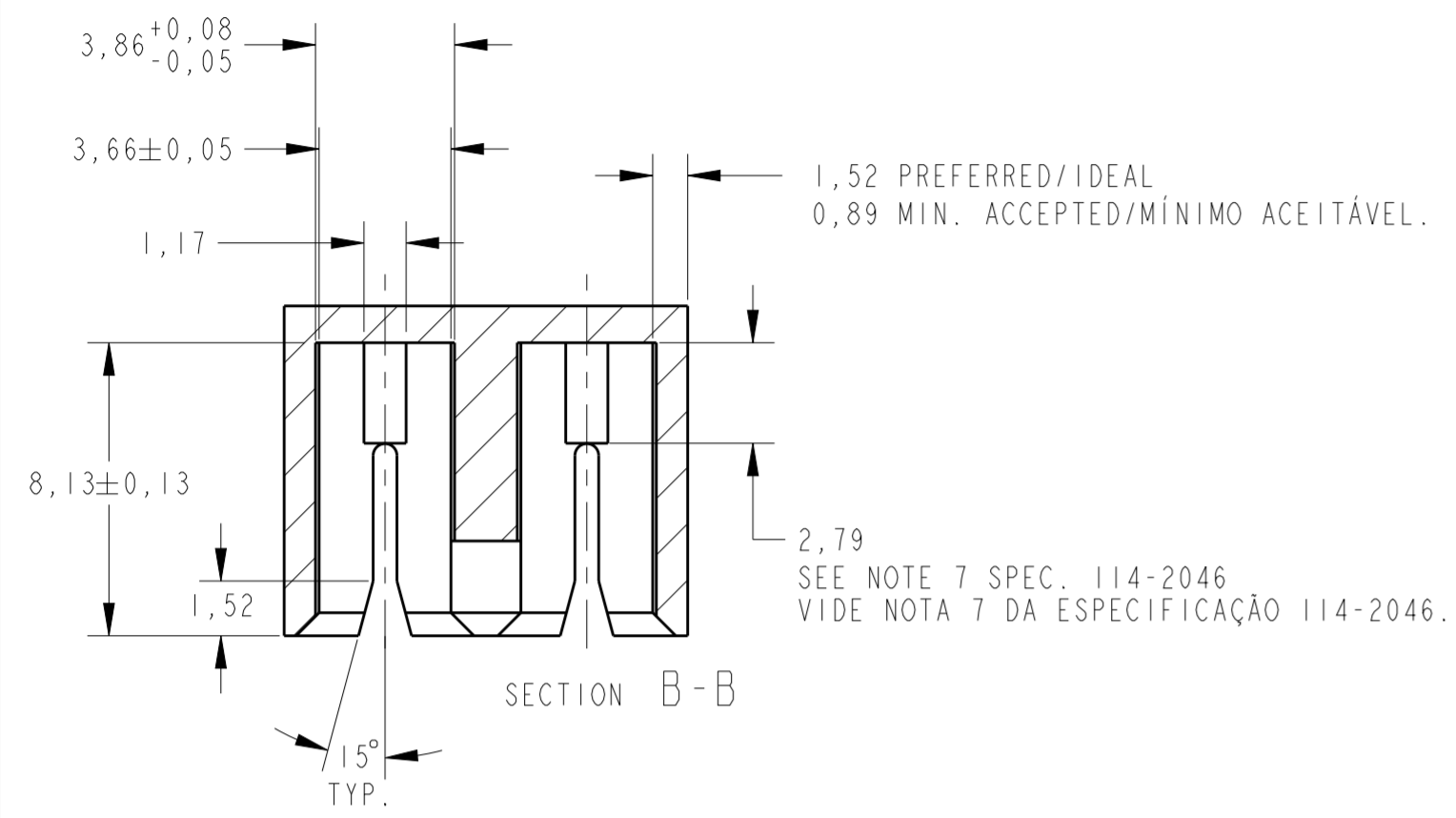


THIS DRAWING IS UNPUBLISHED. RELEASED FOR PUBLICATION 20
 © COPYRIGHT 20 BY - ALL RIGHTS RESERVED.

LOC		DIST		REVISIONS			
P	LTR	DESCRIPTION	DATE	DWN	APVD		
A		REVISED BY ECO-07-008483	12apr2007	H.C	WLS		
B		REV. BY ECO-13-013496	23AUG2013	HC	WLS		

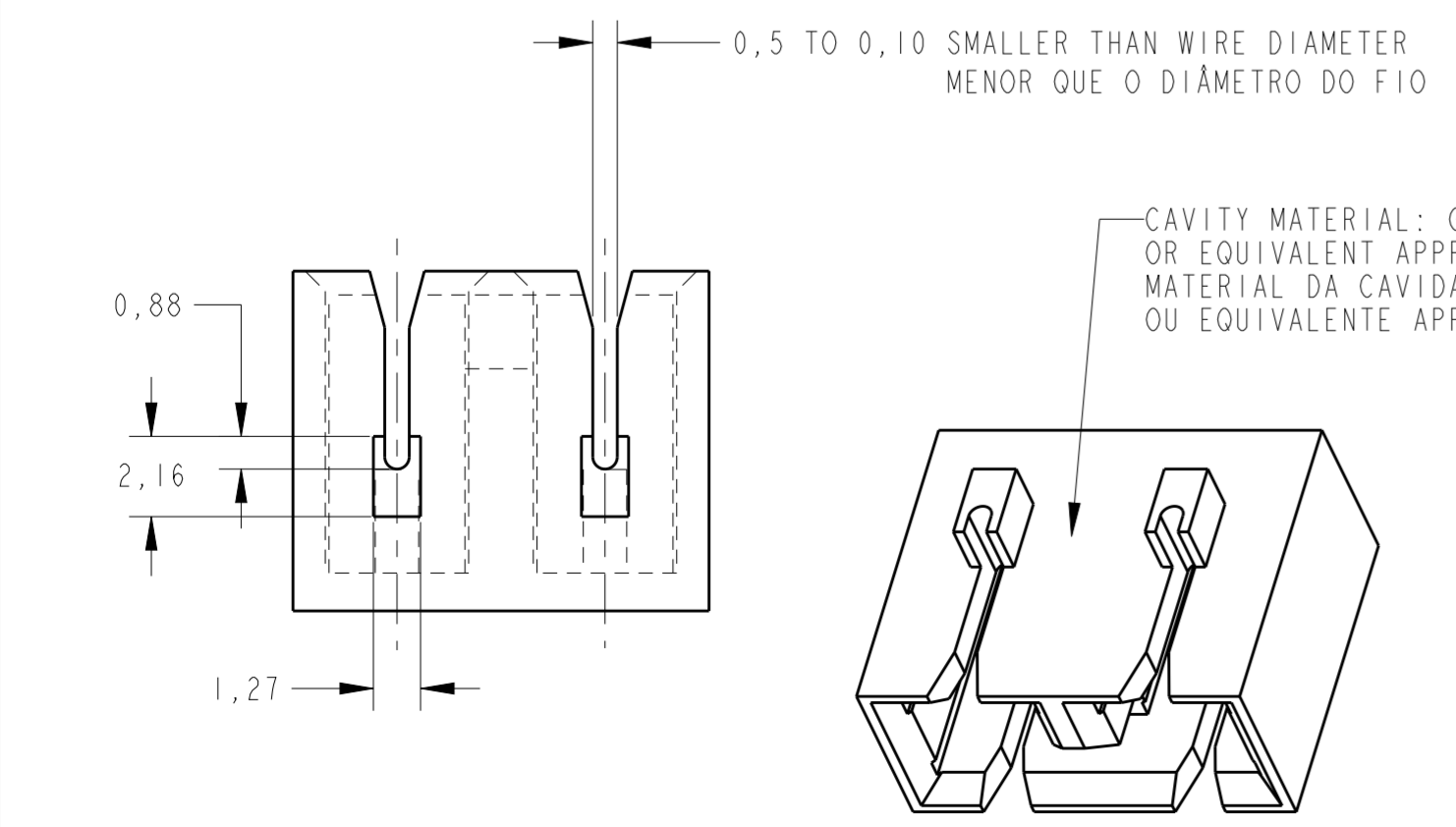
CAVITY CONFIGURATION FOR MAG-MATE POKE-IN DUAL TAB USE
 CONFIGURAÇÃO DA CAVIDADE PARA USO COM MAG-MATE POKE-IN DUAL TAB.



1- TERMINAL ACCEPTS 18-14 AWG (0,9/2,0mm²) MULTIFILAR CABLE WITH 2,3/3,6mm DIA. INSULATOR.
 TERMINAL ACEITA CABO MULTIFILAR 18/14AWG (0,9/2,0mm²) COM Ø DO ISOLANTE 2,3/3,6mm.

2-FOR MORE INFORMATIONS ABOUT MAG-MATE CAVITIES CONSULT TYCO SPECIFICATION 114-2046.
 PARA MAIORES INFORMAÇÕES SOBRE CAVIDADES MAG MATE CONSULTAR ESPECIFICAÇÃO TYCO 114-2046.

3-GENERAL TOLERANCES FOR MAG MATE CAVITIES ±0,1mm.
 TOLERÂNCIAS GERAIS PARA CAVIDADES MAG-MATE ±0,1mm.



PRE-TIN/PRÉ ESTANHADO	BRASS/LATÃO	1599986-1
FINISH	MATERIAL	PART NUMBER

THIS DRAWING IS A CONTROLLED DOCUMENT.		DWN H.C. CANTER 31 JULY 2006	TE Connectivity	
DIMENSIONS: mm		CHK W.L. STEFANI 31 JULY 2006	NAME MAG-MATE POKE-IN DUAL TAB	
TOLERANCES UNLESS OTHERWISE SPECIFIED:		APVD	PRODUCT SPEC 108-22045	
0 PLC ±		APVD	APPLICATION SPEC 114-2050	
1 PLC ±		WEIGHT	SIZE A2	
2 PLC ±0,3			CAGE CODE 00779	
3 PLC ±			DRAWING NO C-1599986	
4 PLC ±			RESTRICTED TO	
ANGLES ±1°			SCALE 5/1	
FINISH			SHEET 1 OF 1	
MATERIAL SEE TABLE	TOLERANCES UNLESS OTHERWISE SPECIFIED: SEE TABLE	CUSTOMER DRAWING	REV B	