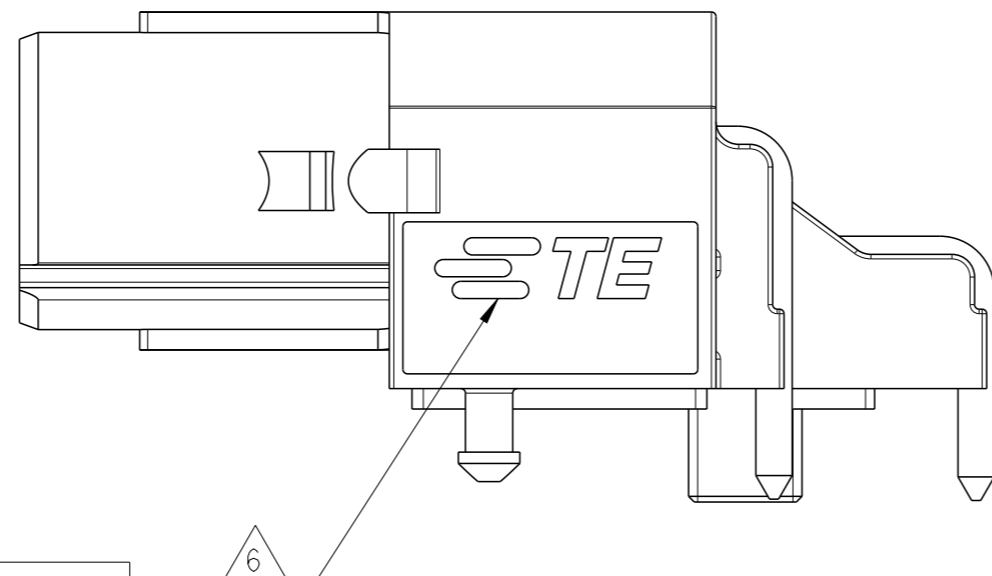
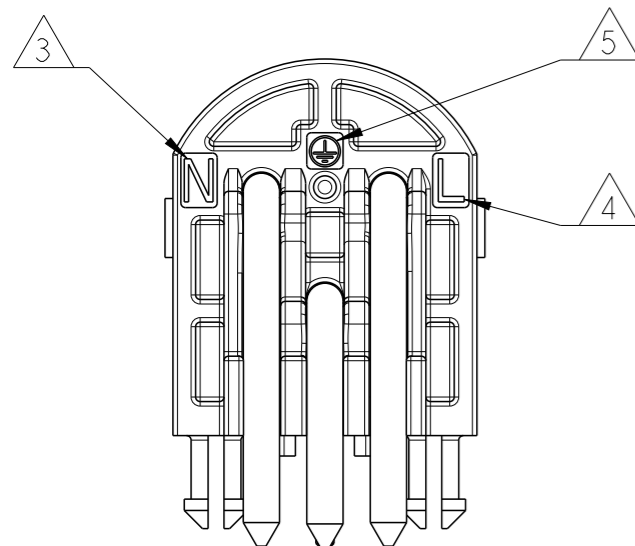
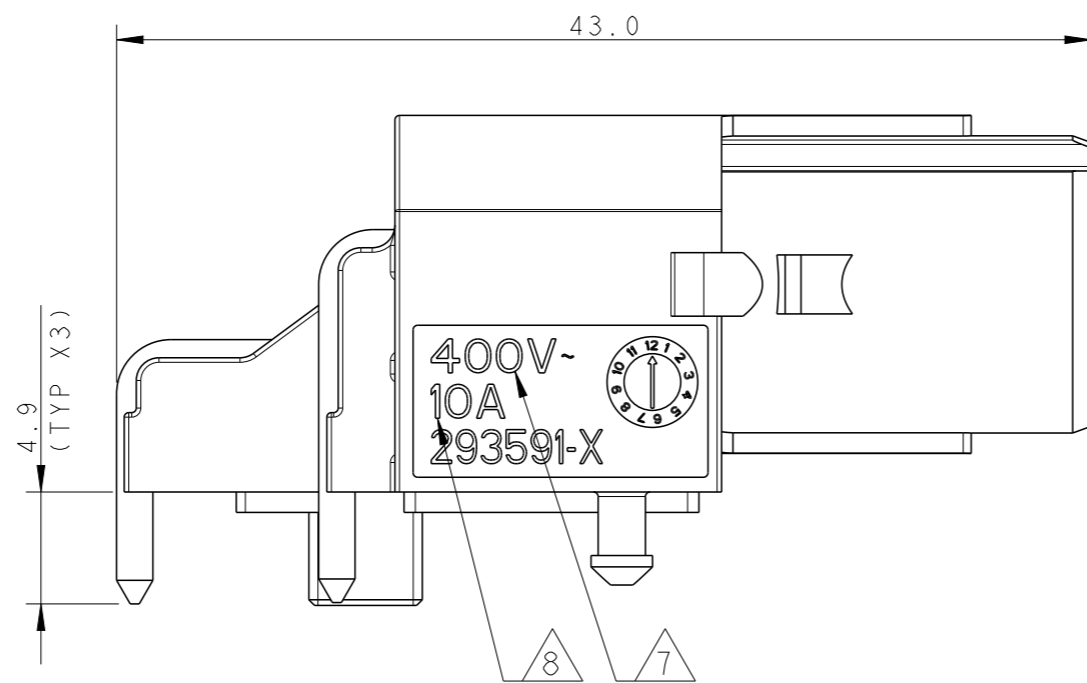
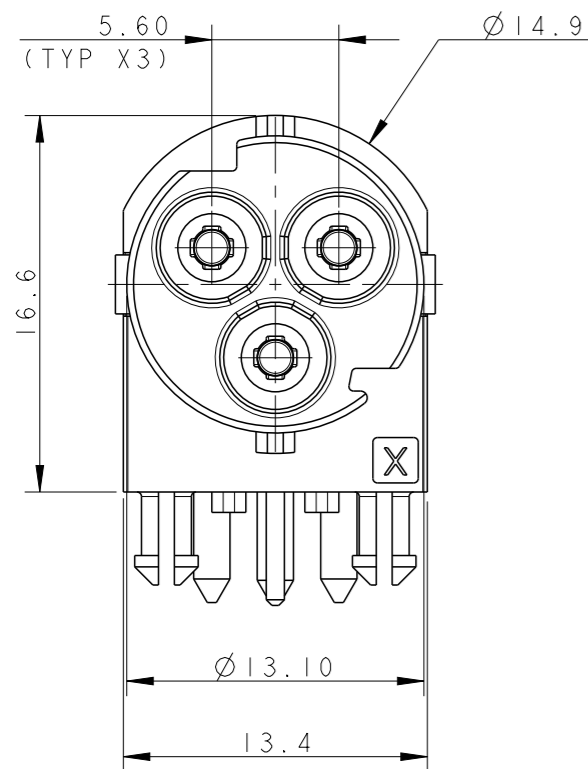


THIS DRAWING IS UNPUBLISHED. RELEASED FOR PUBLICATION 2011  
 © COPYRIGHT 2011 BY - ALL RIGHTS RESERVED.

LOC	DIST	REVISIONS					
		P	LTR	DESCRIPTION	DATE	DWN	APVD
1	-	E		UPDATED	12DEC2012	MZ	JC
		F		PARTS -1, -2, -3 RELEASED FOR PRODUCTION	27JUN2013	KR	JC

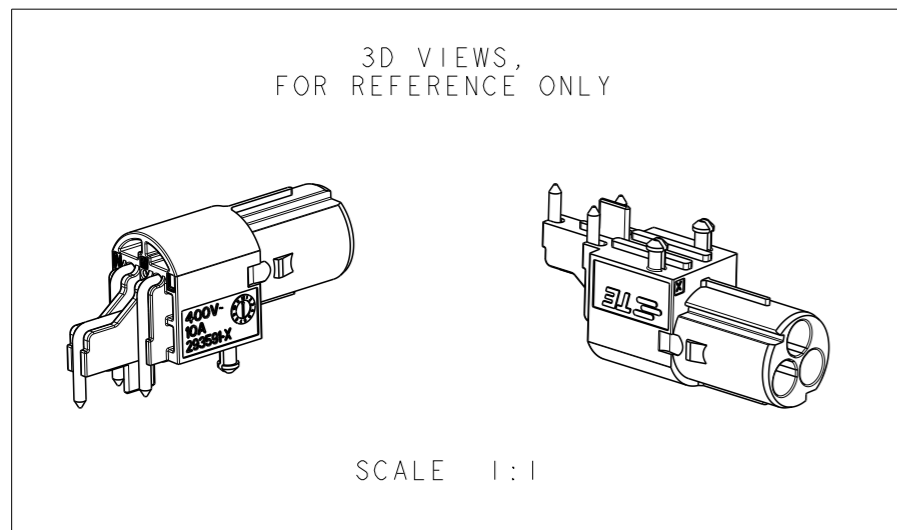


NOTES:

- 1) MATERIAL: POLYAMIDE GLASS FILLED COLOUR NATURAL
- 2) PACKAGING: SEE TE PACKAGING SPECIFICATION 107-20294

- 3 N CODE
- 4 L CODE
- 5 PE CODE
- 6 TE LOGO
- 7 RATED VOLTAGE
- 8 RATED CURRENT
- 9 PART NOT YET RELEASED FOR PRODUCTION

NOTE	COLOUR	POL. KEYING	DESCRIPTION	REV.	PART NUMBER
9	NATURAL	F	PIN CONNECTOR PCB 90 DEG NECTOR* M-LINE	E	293593-6
9	NATURAL	E	PIN CONNECTOR PCB 90 DEG NECTOR* M-LINE	E	293593-5
9	NATURAL	D	PIN CONNECTOR PCB 90 DEG NECTOR* M-LINE	E	293593-4
	NATURAL	C	PIN CONNECTOR PCB 90 DEG NECTOR* M-LINE	F	293593-3
	NATURAL	B	PIN CONNECTOR PCB 90 DEG NECTOR* M-LINE	F	293593-2
	NATURAL	A	PIN CONNECTOR PCB 90 DEG NECTOR* M-LINE	F	293593-1



THIS DRAWING IS A CONTROLLED DOCUMENT.

DIMENSIONS:	TOLERANCES UNLESS OTHERWISE SPECIFIED:
mm	
	0 PLC ±-
	1 PLC ±0.3
	2 PLC ±0.20
	3 PLC ±-
	4 PLC ±-
	ANGLES ±3°
MATERIAL -	FINISH -

DWN M. ZUCCA 30OCT2009	TE Connectivity
CHK M. ZUCCA 30OCT2009	
APVD G. TURCO 30OCT2009	
PRODUCT SPEC 108-20304	
APPLICATION SPEC 114-20152	NAME PIN CONNECTOR PCB STRAIGHT VERSION NECTOR* M-LINE
WEIGHT -	SIZE A300779 CAGE CODE C-293593
Customer Drawing	RESTRICTED TO -
SCALE 3:1	SHEET 1 OF 3
	REV F

THIS DRAWING IS UNPUBLISHED.

RELEASED FOR PUBLICATION

2011

© COPYRIGHT 2011 BY -

ALL RIGHTS RESERVED.

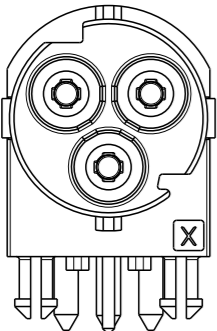
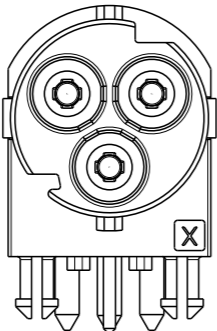
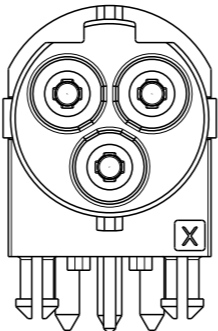
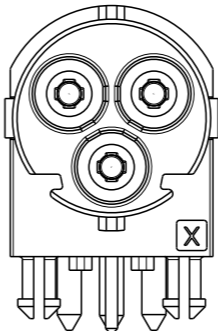
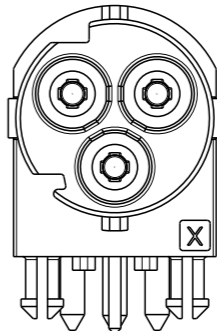
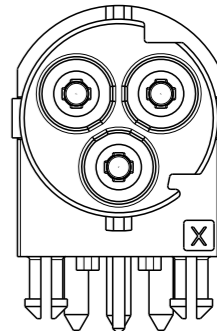
LOC

DIST

REVISIONS

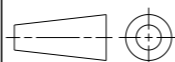
P	LTR	DESCRIPTION	DATE	DWN	APVD
-	-	SEE SHEET 1	-	-	-

POLARIZATION KEYS

TYPE "A"	TYPE "B"	TYPE "C"	TYPE "D"	TYPE "E"	TYPE "F"
P/N 293593-1 AS SHOWN	P/N 293593-2 AS SHOWN	P/N 293593-3 AS SHOWN	P/N 293593-4 AS SHOWN	P/N 293593-5 AS SHOWN	P/N 293593-6 AS SHOWN
					

THIS DRAWING IS A CONTROLLED DOCUMENT.

DIMENSIONS:  
mm



TOLERANCES UNLESS OTHERWISE SPECIFIED:

- 0 PLC ±-
- 1 PLC ±0.3
- 2 PLC ±0.20
- 3 PLC ±-
- 4 PLC ±-
- ANGLES ±3°

MATERIAL -

FINISH -

DWN M. ZUCCA 30OCT2009

CHK M. ZUCCA 30OCT2009

APVD G. TURCO 30OCT2009

PRODUCT SPEC 108-20304

APPLICATION SPEC 114-20152

WEIGHT -

Customer Drawing



TE Connectivity

NAME  
PIN CONNECTOR  
PCB STRAIGHT VERSION  
NECTOR\* M-LINE

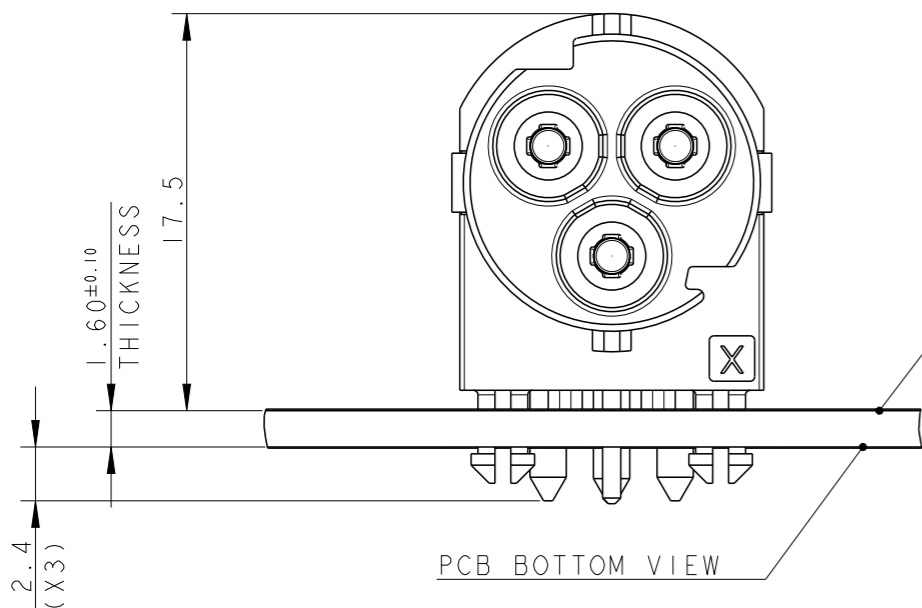
SIZE CAGE CODE DRAWING NO RESTRICTED TO

A300779 C-293593

SCALE 3:1 SHEET 2 OF 3 REV F

THIS DRAWING IS UNPUBLISHED. RELEASED FOR PUBLICATION 2011  
 © COPYRIGHT 2011 BY - ALL RIGHTS RESERVED.

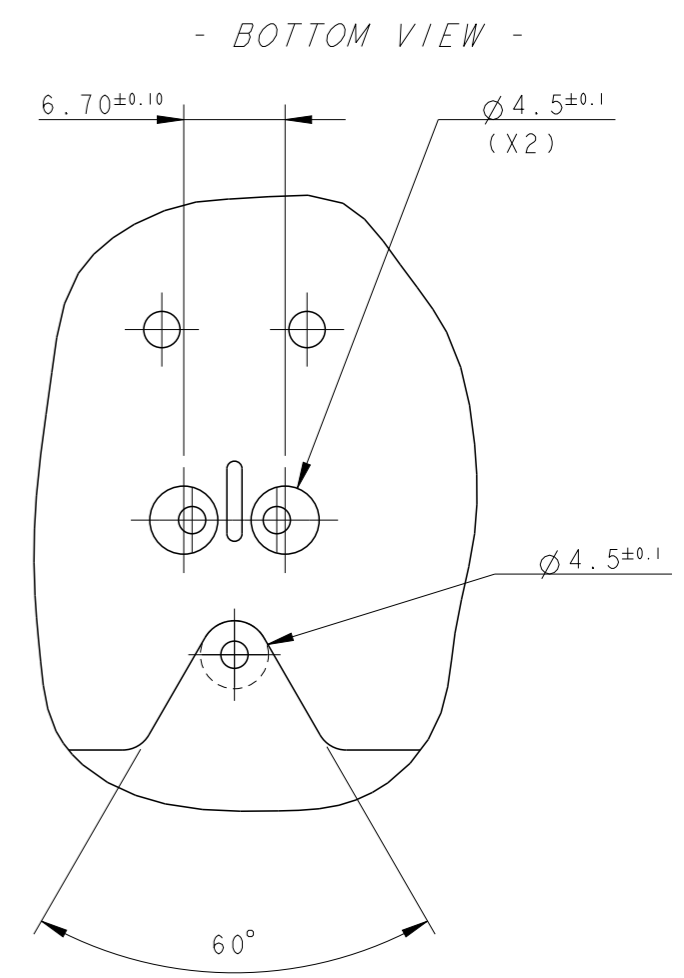
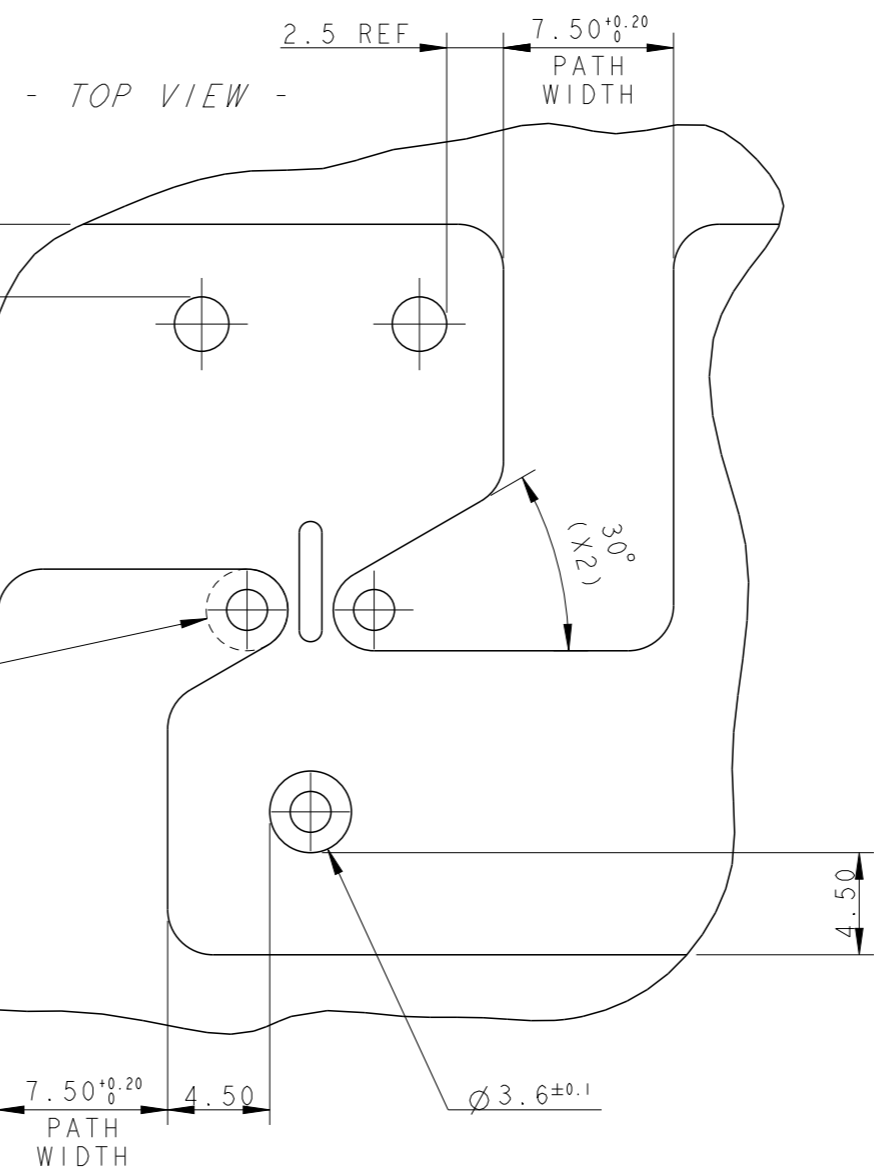
LOC	DIST	REVISIONS					
		P	LTR	DESCRIPTION	DATE	DWN	APVD
1	-	-	-	SEE SHEET 1	-	-	-



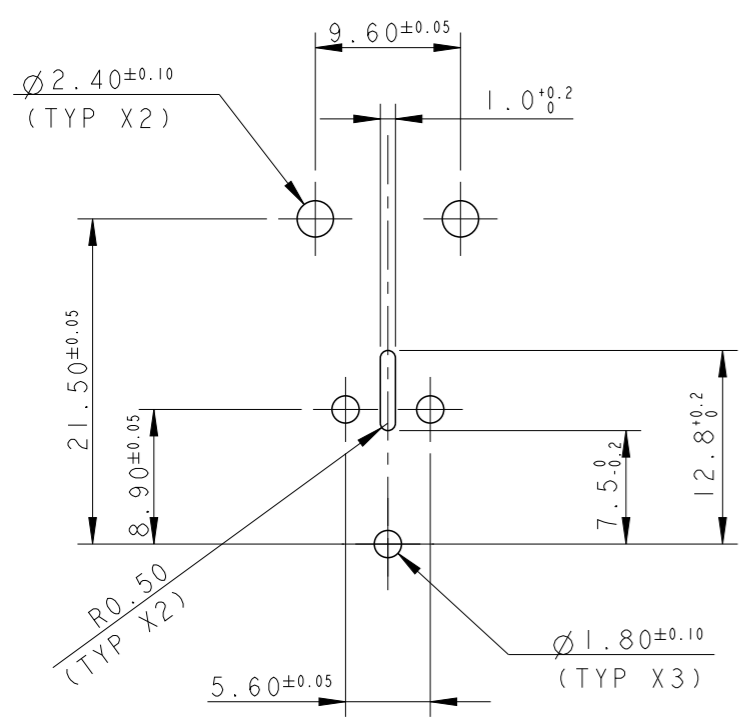
SUGGESTED L, N AND PE TRACKS LAYOUT ON PCB

PCB TOP VIEW

PCB BOTTOM VIEW



SUGGESTED PCB LAYOUT CUT-OUT



SCALE 2:1

THIS DRAWING IS A CONTROLLED DOCUMENT.		DWN M. ZUCCA 30OCT2009	<b>STE</b> TE Connectivity	
DIMENSIONS: mm		CHK M. ZUCCA 30OCT2009		
TOLERANCES UNLESS OTHERWISE SPECIFIED:		APVD G. TURCO 30OCT2009	NAME	
0 PLC ±-	1 PLC ±0.3	PRODUCT SPEC 108-20304	PIN CONNECTOR PCB STRAIGHT VERSION NECTOR* M-LINE	
2 PLC ±0.20	3 PLC ±-	APPLICATION SPEC 114-20152	SIZE A300779	CAGE CODE C-293593
4 PLC ±-	ANGLES ±3°	WEIGHT -	RESTRICTED TO -	
MATERIAL -	FINISH -	Customer Drawing	SCALE 3:1	SHEET 3 OF 3