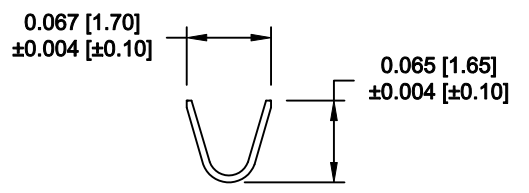
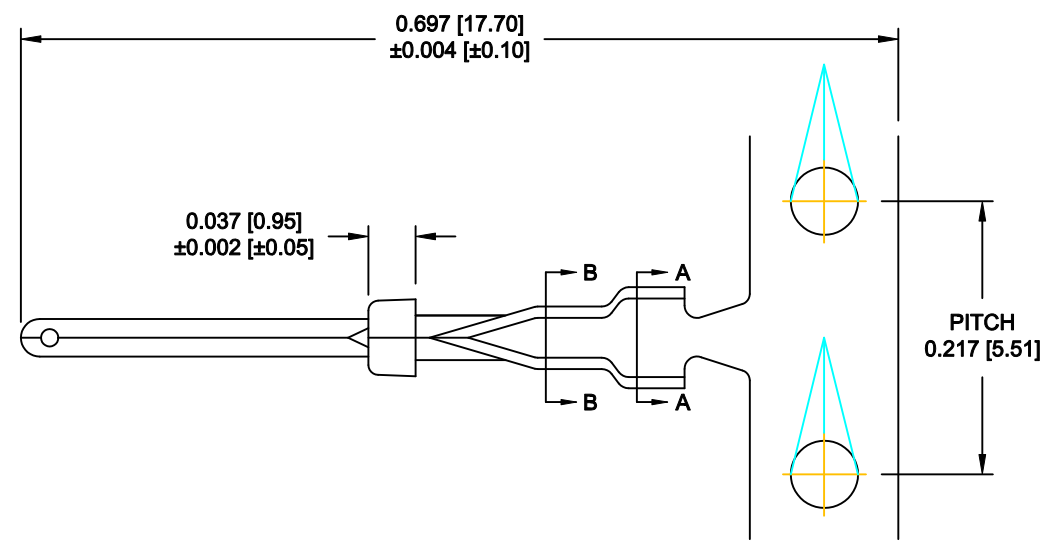
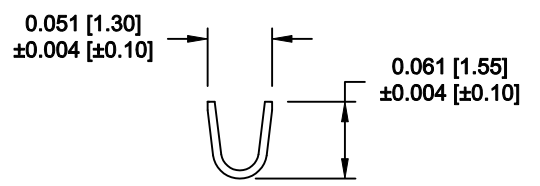
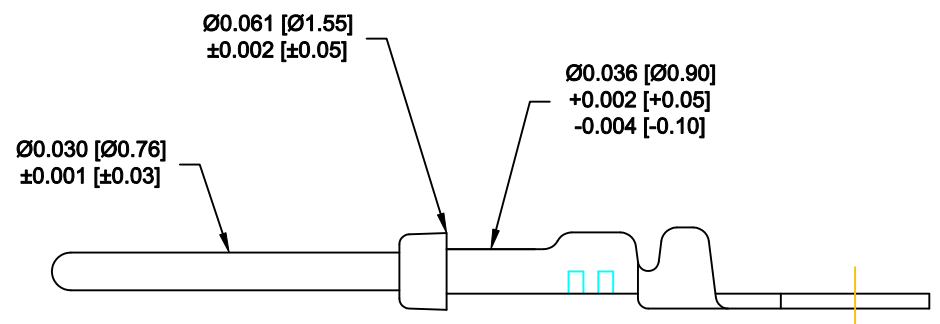


NOTES:

MATERIAL: BRASS
 PLATING: 10u" GOLD OVER 50u" NICKEL
 NICKEL ON WIRE CRIMP AREA
 WIRE SIZE: 24-26 AWG



SECTION A - A




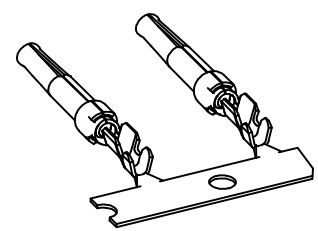
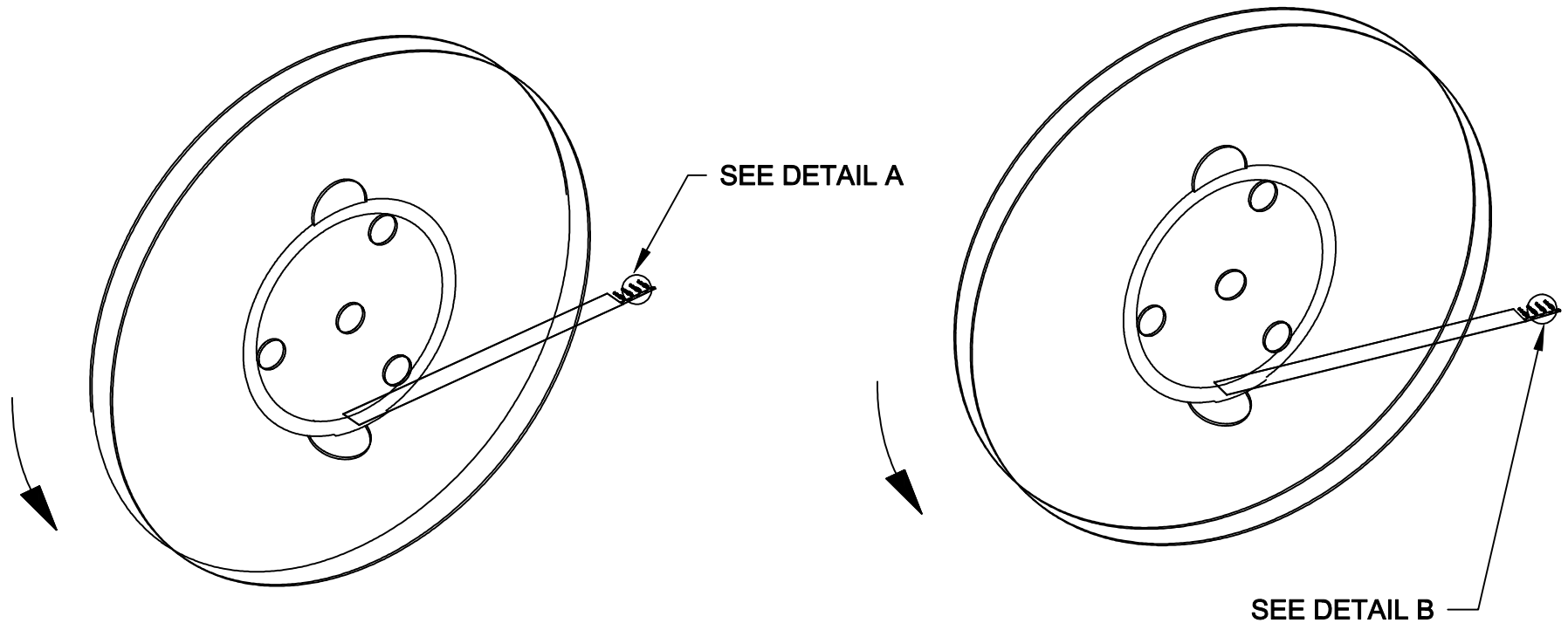
SECTION B - B

FOR CLARITY
 HIDDEN LINES
 NOT SHOWN

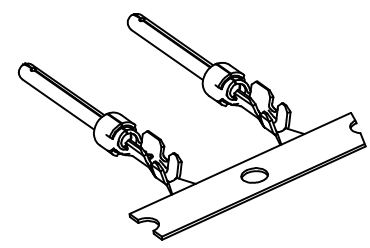
DO NOT SCALE FROM DRAWING

RoHS COMPLIANT


	THESE DRAWINGS AND SPECIFICATIONS ARE THE PROPERTY OF NorComp AND SHALL NOT BE REPRODUCED, COPIED OR USED AS THE BASIS FOR THE MANUFACTURE OF SALE OF APPARATUS WITHOUT WRITTEN PERMISSION.		DRAWN: PAM JENKINS	DATE: 02-13-09
			CHECKED:	DATE:
NorComp		SCALE: 6 : 1	SHEET 1 OF 2	REV 6
		DWG NO. 180-001-170L001		



DETAIL A



DETAIL B

	THESE DRAWINGS AND SPECIFICATIONS ARE THE PROPERTY OF NorComp AND SHALL NOT BE REPRODUCED, COPIED OR USED AS THE BASIS FOR THE MANUFACTURE OF SALE OF APPARATUS WITHOUT WRITTEN PERMISSION.		DRAWN: PAM JENKINS	DATE: 02-13-09
	NorComp		CHECKED:	DATE:
SCALE:			SHEET 2 OF 2	REV 6
			DWG NO.	180-001-170L001