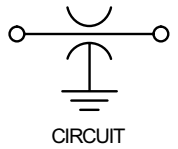
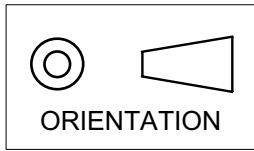


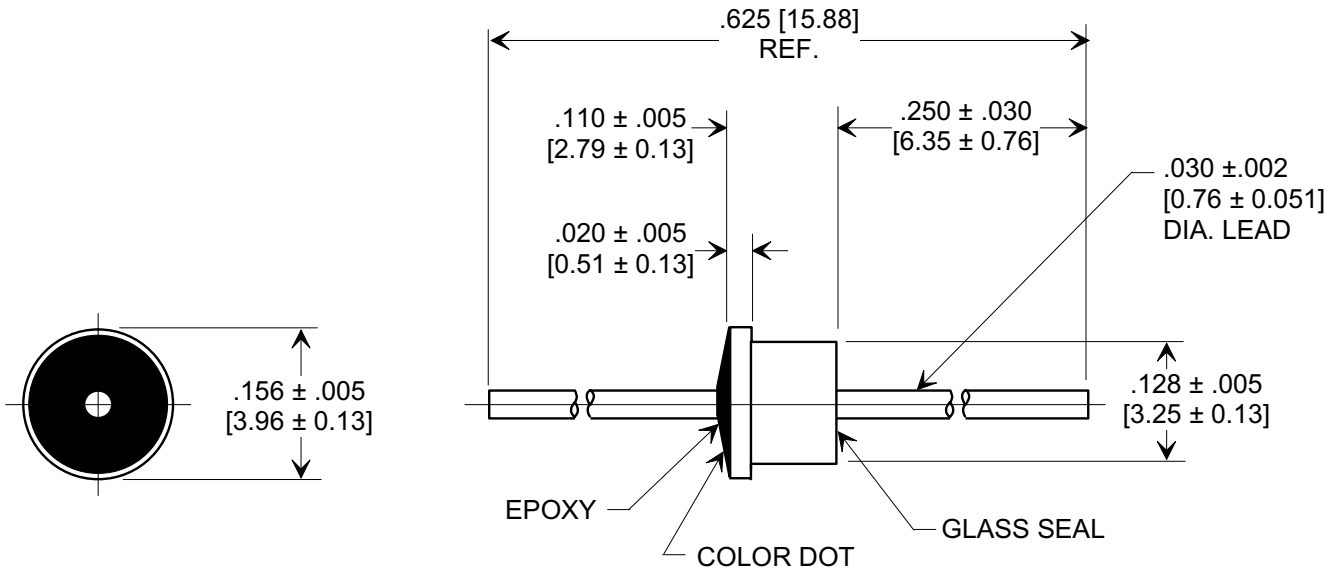
MARKETING SALES DRAWING

DIMENSIONS IN INCHES - DO NOT SCALE THIS DRAWING

DIMENSIONS IN METRIC - []



Electrical Testing
per Tusonix standard
test plans and Mil-Std-202
Test Methods.



NOTES:

1. Operating temperature range: -55°C to +125°C.
2. Gold plated case and lead.
3. Epoxy sealed on opposite end from glass seal.
4. Max. recommended soldering temperature: 260°C.
See installation recommendations.
5. Recommended mounting hole: .135 [3.43] dia.
6. Solder preform available for mounting.
7. Tusonix Standard part number: 4300-680.
Tusonix RoHS compliant part number: 4300-680 LF.
Customer must specify Standard or RoHS part number when ordering.
8. RoHS compliant part marked with additional dark green dot for identification.

| CAP. (pF) | TOL. | DC WORKING VOLTAGE | | DC CURRENT (AMPS) | MINIMUM NO LOAD INSERTION LOSS (dB) @ 25°C PER MIL-STD-220 | | | | | COLOR CODE |
|-----------|------|--------------------|-------|-------------------|--|--------|---------|-------|--------|------------|
| | | 85°C | 125°C | | 1 MHz | 10 MHz | 100 MHz | 1 GHz | 10 GHz | |
| 5 | MAX. | 300 | 200 | 5 | --- | --- | --- | --- | --- | BLK-BLK |

| | | | | | | |
|--|-----------------------------------|---|--|-----------------|---|--|
| X-2015 Rev-0 REVISION RECORD | 0 | Original Release C.O. 20020104-1-01 ADDED NOTES 7 & 8. S.M. 05-23-05 20050511-2-62 DIM. IN METRIC REVISED 15.88 WAS 15.87 & 3.96 WAS 4.01 L.E. 05-05-06 20060505-1-01 | --TOLERANCES-- Unless Otherwise Specified | | Title SOLDER MOUNT EMI FILTER | |
| | DECIMAL ± | | Drawn L.E. 01-04-02 | | Scale 4 X | |
| | ANGLES ± | | Approved T.C. 01-04-02 | | | |
| | TUSONIX TUCSON, ARIZONA | | A | 4300-680 | | |