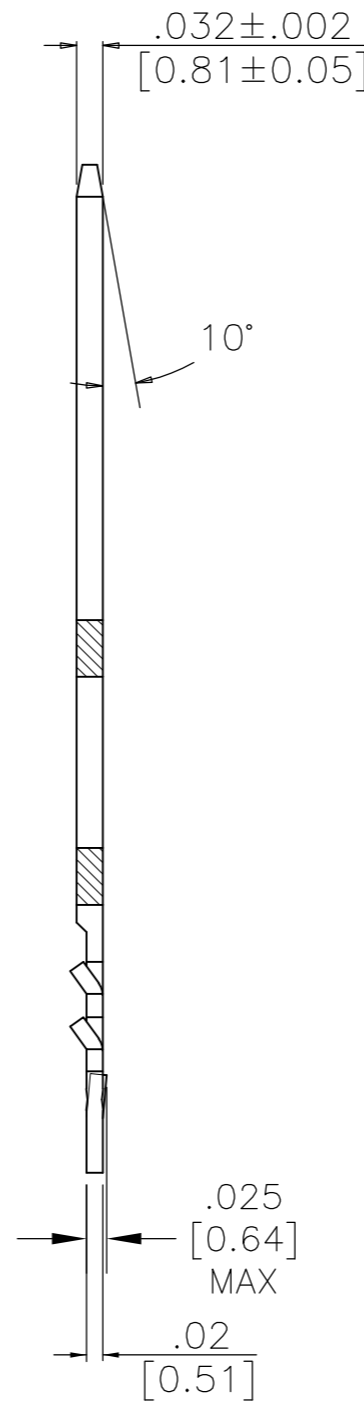
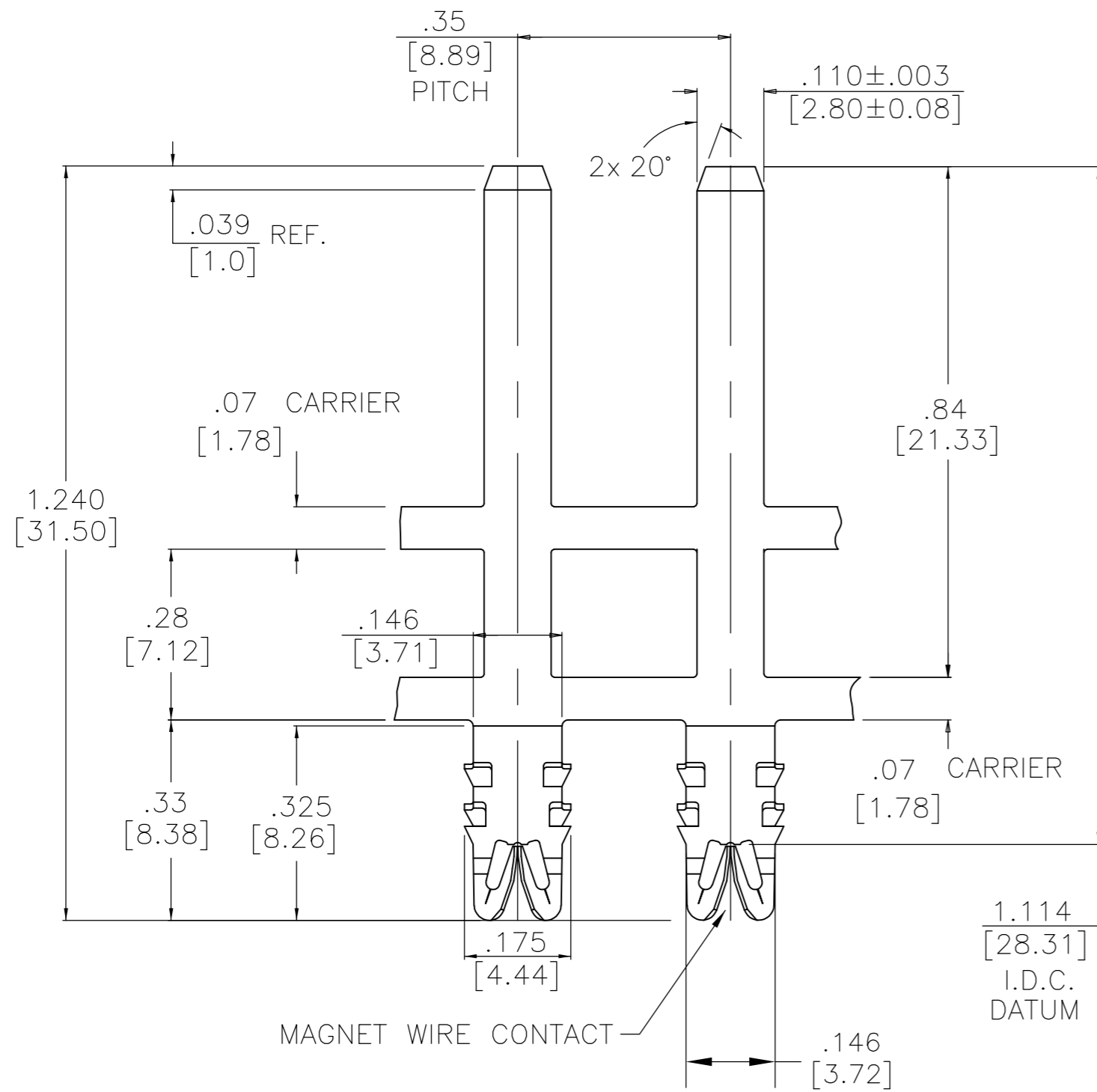
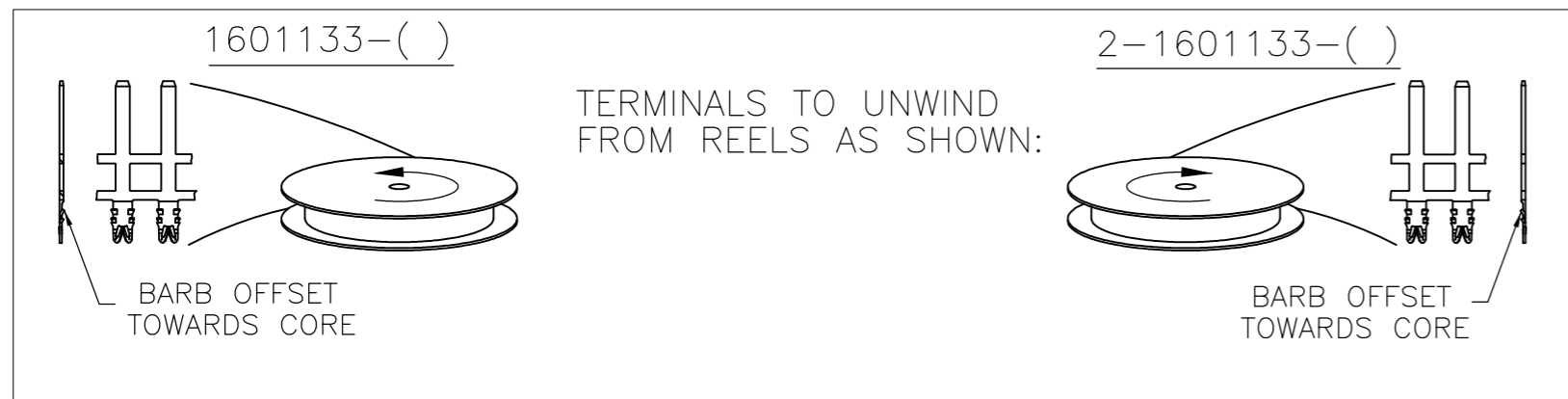
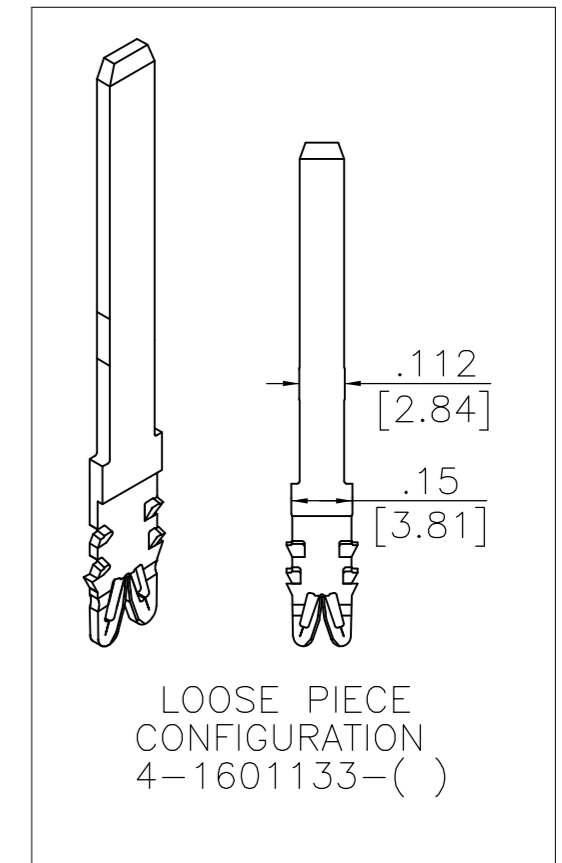


THIS DRAWING IS UNPUBLISHED. RELEASED FOR PUBLICATION
 © COPYRIGHT BY TYCO ELECTRONICS CORPORATION. ALL RIGHTS RESERVED.

LOC		DIST		REVISIONS			
P	LTR	DESCRIPTION	DATE	DWN	APVD		
AF	50						
		D	REVISED PER ECR-07-012448	31JUL07	HMR	GJ	



- 1 SPECIFICATIONS:
MAGNET WIRE #27 - #36 AWG,
.015" (0.38mm) - .005" (0.13mm) DIA COPPER.
OTHER SIZES MAY BE ACCOMMODATED,
CONSULT TYCO ELECTRONICS FOR APPROVAL.
- 2 POCKET RECOMMENDATION: #1601425
- 3 TERMINAL APPLICATION TO COMPLY WITH TYCO ELECTRONICS SPECIFICATION 114-13166 FIGURE 6.



-	-	-
-	-	-
-	-	-
-	-	-
-	-	-
PRE-TIN PLATE OVER COPPER UNDERPLATE	150-031-014	1601133-2
FINISH	REFERENCE PART NUMBER	TYCO PART NUMBER
THIS DRAWING IS A CONTROLLED DOCUMENT.	DWN J.WELLER 11JAN2002 CHK M.FEHER 11JAN2002 APVD K.RANDOLPH 11JAN2002	Tyco Electronics Corporation Harrisburg, PA 17105-3608
DIMENSIONS: INCHES	TOLERANCES UNLESS OTHERWISE SPECIFIED: 0 PLC ± - 1 PLC ± - 2 PLC ± .01[0.25] 3 PLC ± .005[0.13] 4 PLC ± - ANGLES ± 2°	NAME FINE RANGE WIRE TO .110 X .032 MULTI-BARB TAB SIAMEZE TERMINAL
MATERIAL BRASS, 1/2 HARD	FINISH SEE TABLE	SIZE A2 CAGE CODE 00779 DRAWING NO C=1601133 RESTRICTED TO -
	WEIGHT -	SCALE 1:6 SHEET 1 OF 1 REV D
	CUSTOMER DRAWING	