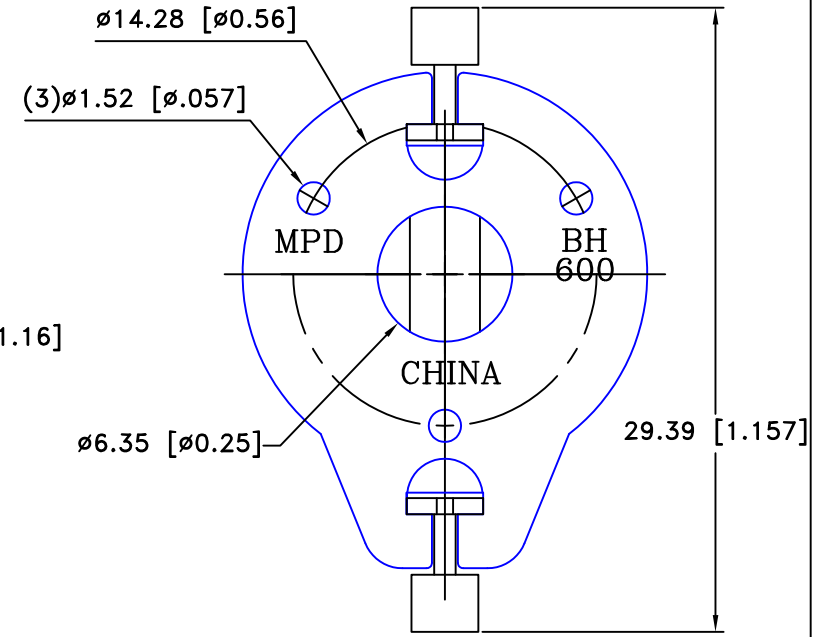
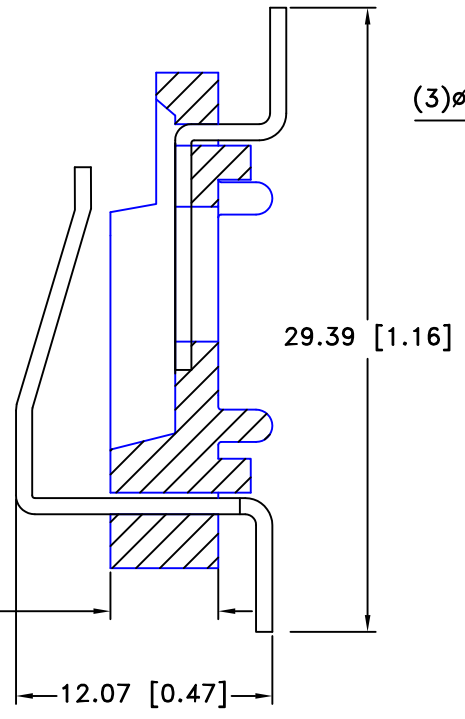
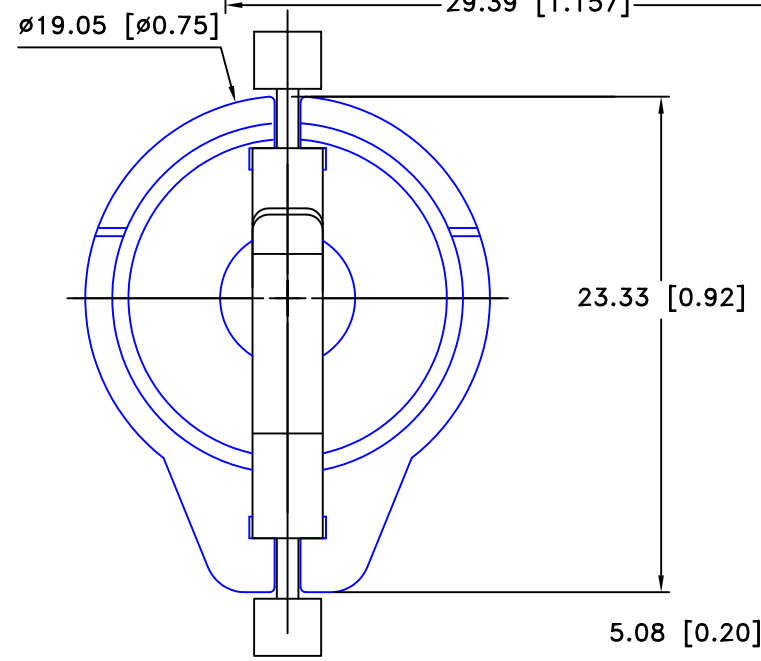



Date	SYM	REVISION RECORD	AUTH	DR.	CK.
10/22/05	A	ADDED "ROHS COMPLIANT"	T.B.	B.S.	
1/12/08	B	UPDATED SPECIFICATIONS	T.B.	B.S.	



SPECIFICATIONS

- *Holder material—Nylon 46, 30% Glass Filled, GREY
 - *Flammability rating—UL94V—HB, UL File No. E47960
 - *Contacts—302 spring temper stainless steel with Gold Flash Plating overall
 - *Dielectric strength—560volts/mil at 25°C for 5seconds
 - *Temperature range— -40°C to +260°C
 - *Resistance to solvents—Xylene,ethyl,butyl,methyl&proptl alcohol;ethyl acetate,heptane;toluene;refrigerant
- ROHS COMPLIANT

Tolerance (Except as noted)	 Memory protection Devices, Inc 200 Broad Hollow Road, Farmingdale, New York 11735	Scale	Drawn By B.S.
			Approved By T.B.
decimal ±.5 (.020)	Title 16mm DIA. x 5.8mm THICK COIN CELL HOLDER		
Fractional ± .8 (.030)		Date 1/12/08	Drawing Number BH600SM-5.8-G
Angular ± 3°			