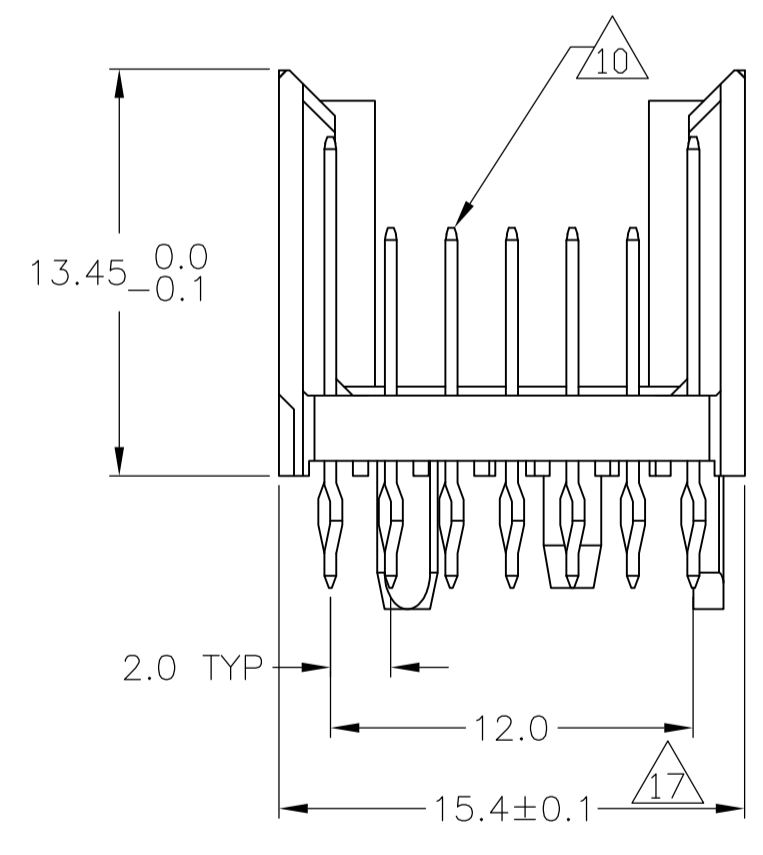
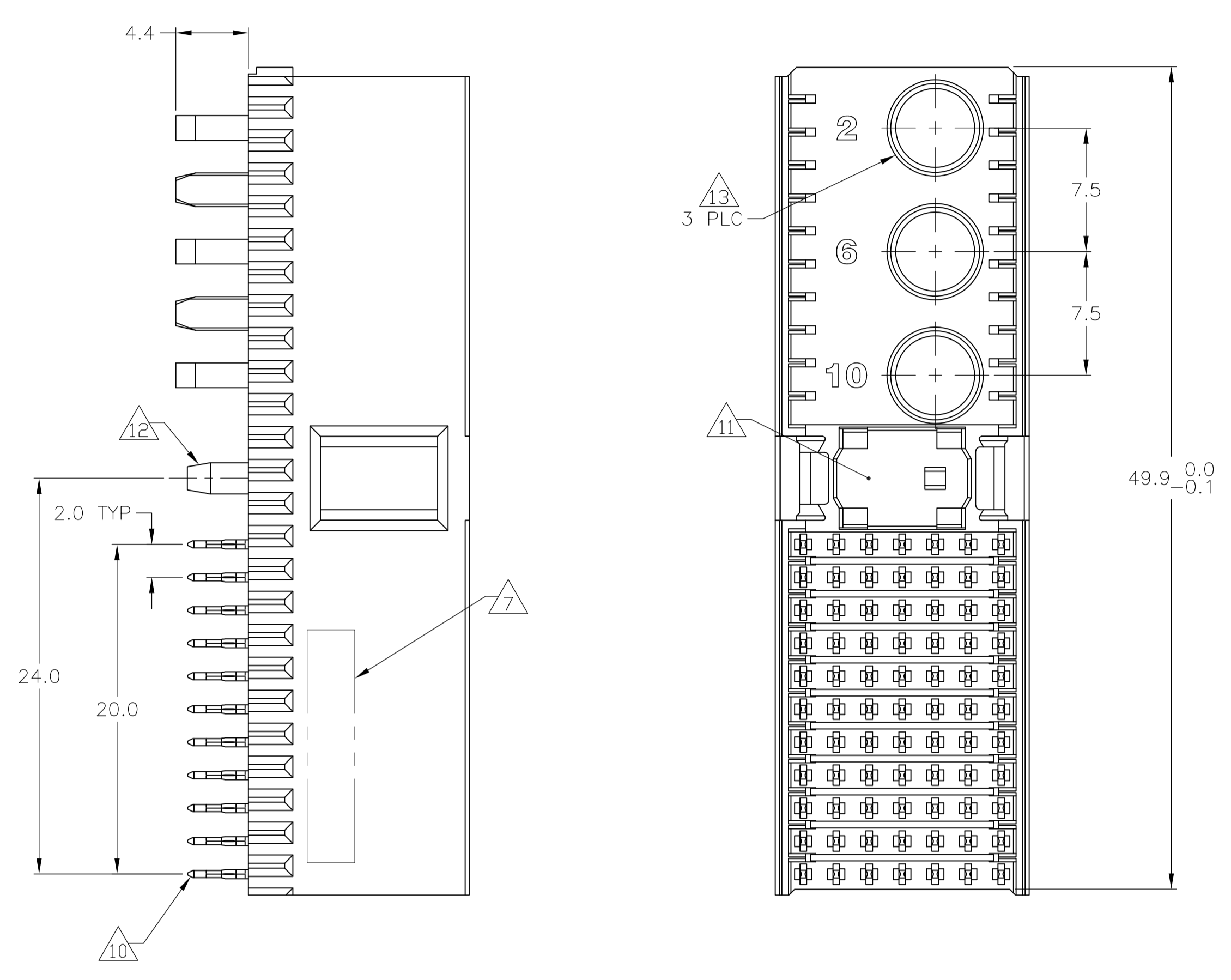
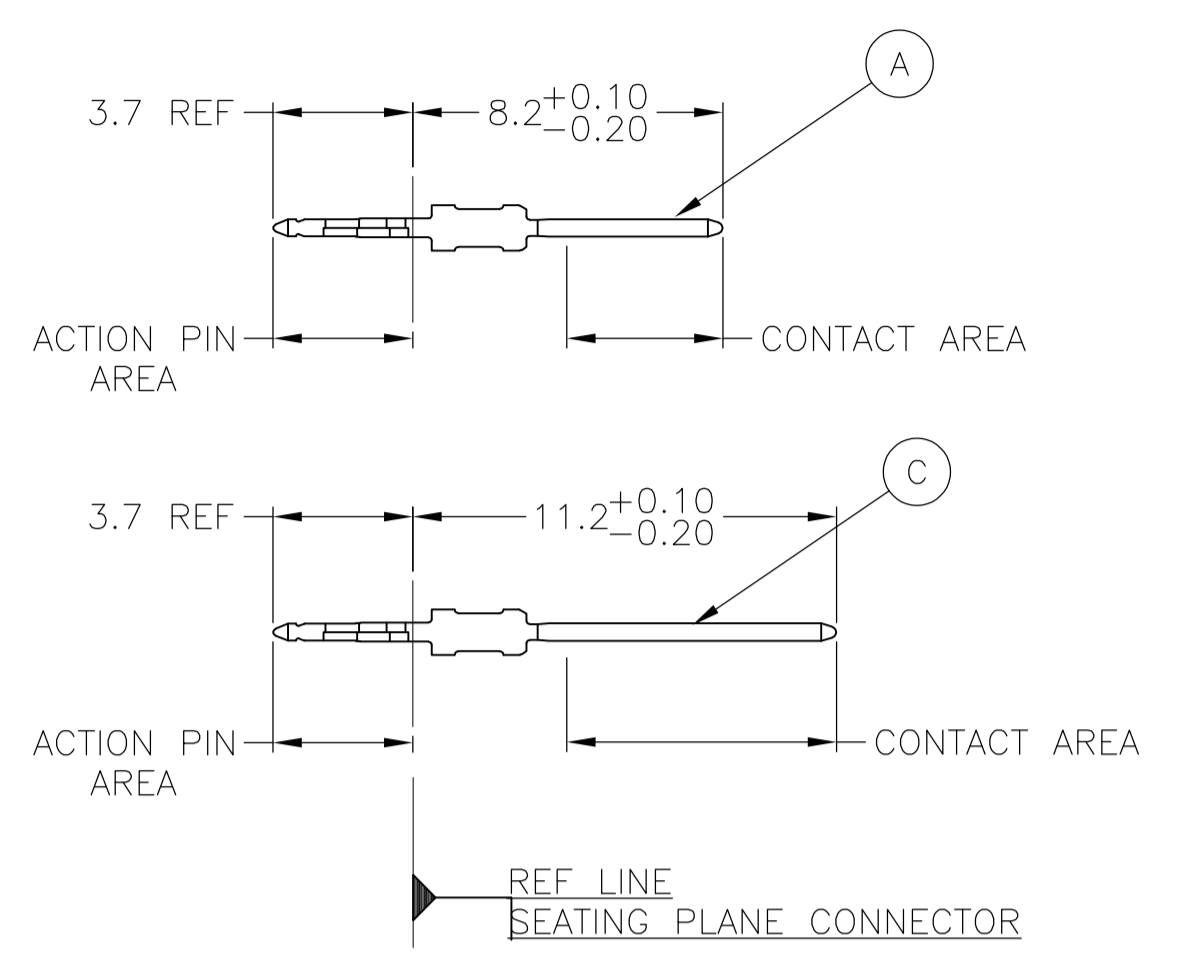


LOC		DIST		REVISIONS			
AD	00	REV	PER	EC	DATE	BY	CHK
A		REV PER EC	0512-0302-05		14DEC05	BC	GS
B		ECR-10-019054			15SEP10	DP	MQW

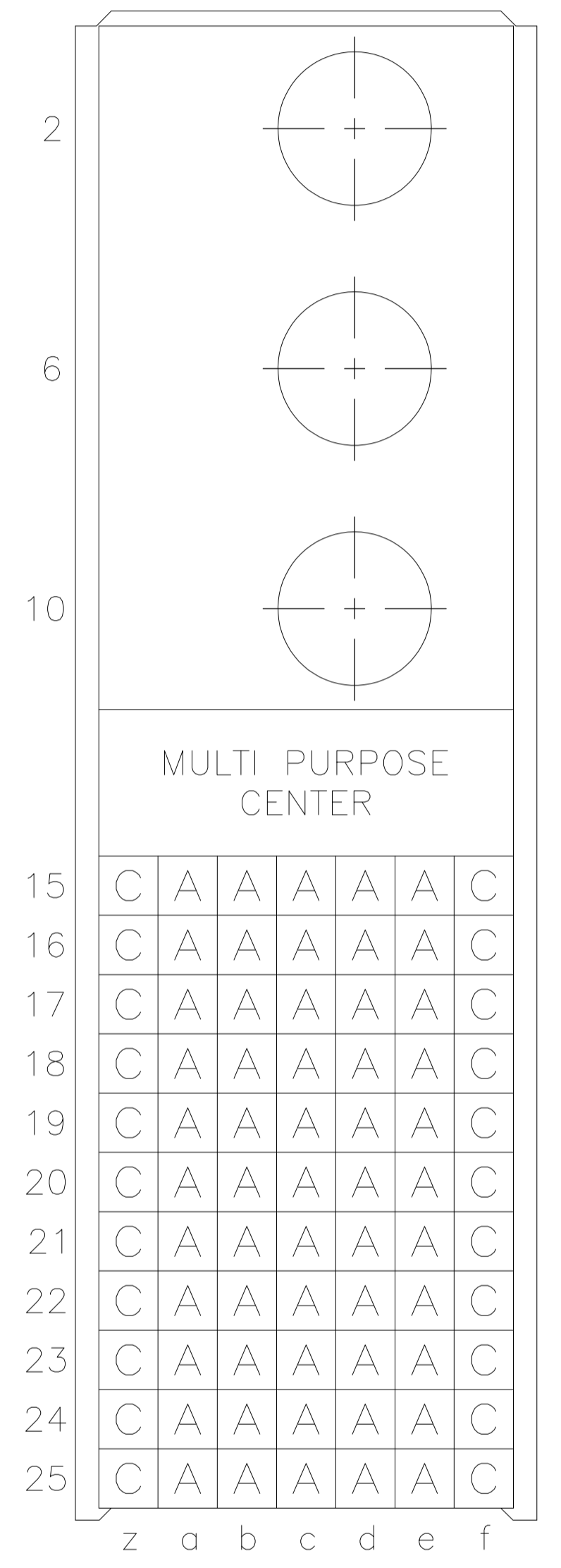
CONNECTOR ASSEMBLY EXAMPLARY LOADED Δ 9



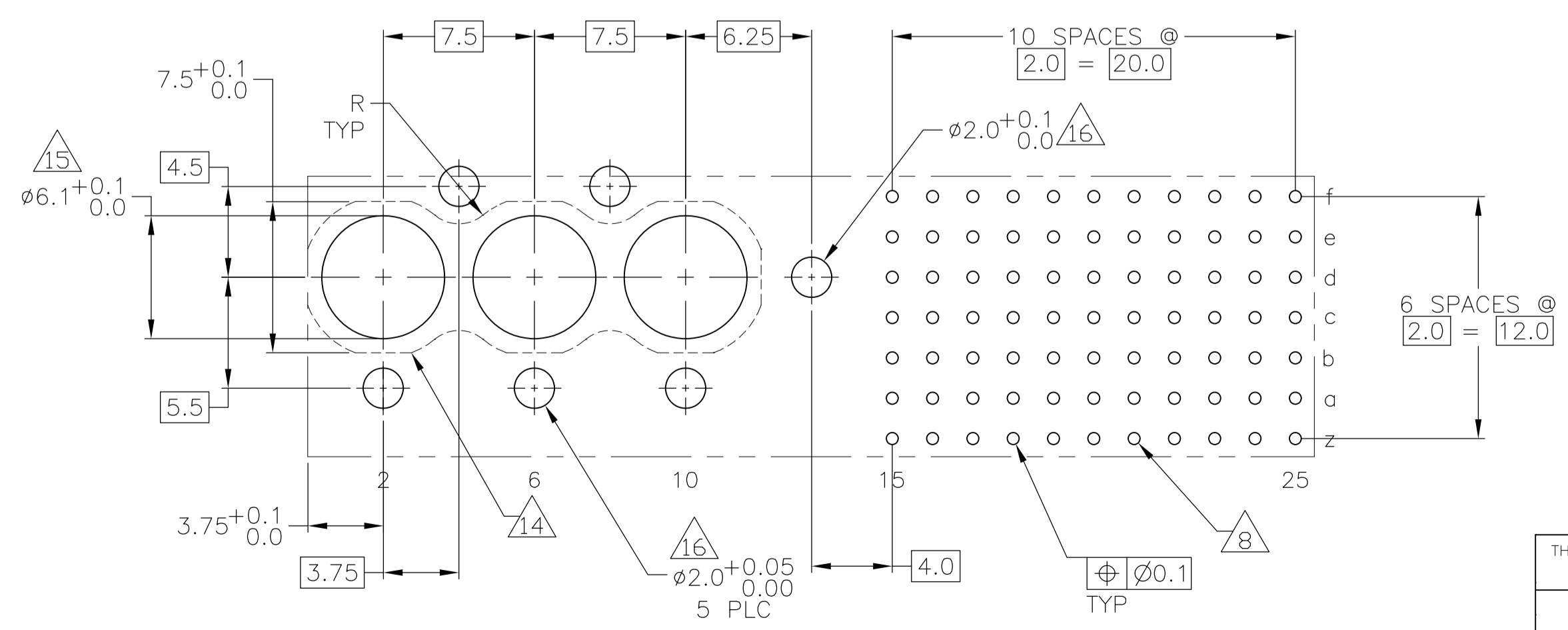
CONTACT DIMENSIONS SCALE 5:1



CONTACT LAYOUT



RECOMMENDED PCB-HOLE LAYOUT COMPONENT SIDE SHOWN



PLATED THRU HOLES PARAMETERS REFERENCE APPLICATION SPECIFICATION

Δ 2	Δ 6	Δ 18	1-5352049-9
Δ 2	Δ 5	Δ 18	5352049-9
Δ 2	Δ 4		5352049-4
Δ 2	Δ 3		5352049-1
FINISH		PART NUMBER	

THIS DRAWING IS A CONTROLLED DOCUMENT.		DIN B CARBO 15JUL05		Tyco Electronics Corporation Harrisburg, Pa 17105-3608	
DIMENSIONS: mm		TOLERANCES UNLESS OTHERWISE SPECIFIED:		APPROVED: G. SKIPPER 15JUL05	
0-PLC ±		1-PLC ± 0.2		NAME: MALE ASSEMBLY, Z-PACK 2mm HM, TYPE M	
1-PLC ± 0.2		2-PLC ± 0.02		APPLICATION SPEC: 108-19082	
2-PLC ± 0.02		3-PLC ± 0.005		SIZE: A1	
3-PLC ± 0.005		4-PLC ± 0.30		CAGE CODE: 00779	
4-PLC ± 0.30		MATERIAL: SEE TABLE		DRAWING NO: 114-19029	
WEIGHT: -		CUSTOMER DRAWING		SCALE: 4:1	
SHEET 1 OF 2		REV B		RESTRICTED TO: -	

- 1 MATERIAL:
CONTACT: PHOSPHOR BRONZE.
HOUSING: GLASS-FILLED POLYESTER.
- 2 GENERAL PLATING SPECIFICATION: UNDERPLATING
(ENTIRE CONTACT): 1.27µm MIN NICKEL AND ACTION
PIN: 0.5µm MIN TIN.
FOR PLATING OF MATING SURFACES SEE APPLICABLE
SPECIFICATION REFERENCE FOR EACH DASH NUMBER.
- 3 CONFORMS TO ALL TESTING ACCORDING TO IEC 61076-4-101
PERFORMANCE LEVEL 2.
- 4 CONFORMS TO ALL TESTING ACCORDING TO IEC 61076-4-101
PERFORMANCE LEVEL 1.
- 5 CONNECTOR TESTED AND QUALIFIED AGAINST TELCORDIA GR-1217-CORE QUALITY LEVEL 3,
CENTRAL OFFICE APPLICATIONS.
- 6 CONNECTOR TESTED AND QUALIFIED AGAINST TELCORDIA GR-1217-CORE QUALITY LEVEL 3,
UNCONTROLLED ENVIROMENT APPLICATIONS.
- 7 CONNECTOR MARKED WITH PART NUMBER AND DATE CODE.
ADDITIONAL CHARACTERS OR MARKINGS, AS WELL AS THE LOCATION
OF THE MARKINGS, MAY BE ADDED FOR TRACEABILITY BASED UPON
MANUFACTURERS DISCRETION.
- 8 PLATED-THROUGH HOLES AT 2x2mm SQUARE GRID
PATTERN DEFINED BY CONTACT LAYOUT.
- 9 FOR ACTUAL PIN LOADING SEE "CONTACT LAYOUT".
- 10 FOR ACTUAL PIN DIMENSIONS SEE "CONTACT DIMENSIONS".
- 11 AREA RESERVED FOR KEYING PART (BASIC P/N 100525).
- 12 POLARIZATION FEATURE.
- 13 CONTACT CAVITIES SUITABLE FOR ø4.8 HIGH CURRENT, HIGH FREQUENCY OR
FIBRE OPTIC CONTACTS AS PER DIN 41626 (SEE ALSO NOTE 14 AND 15).
- 14 PATERN FOR FIBRE OPTIC CONTACTS.
- 15 NOT PLATED THROUGH HOLES. TO BE REPLACED BY ø5.9^{+0.1}_{0.0} PLATED THOUGH
HOLES IF STRAIGHT SOLDER CONTACTS ARE APPLIED.
- 16 NOT PLATED THROUGH HOLES.
- 17 TO BE MEASURED AT BOTTOM OF SHROUD.
- 18 CONNECTOR LUBRICATED WITH TELCORDIA APPROVED LUBRICANT,
TECHNICAL REFERENCE: TR-NWT-001217 ISSUE 1, SEP 1992.

THIS DRAWING IS A CONTROLLED DOCUMENT.		DIN E CARBO 15JUL05	Tyco Electronics Corporation Harrisburg, Pa 17105-3608	
DIMENSIONS: mm		CHK G SKIPPER 15JUL05	NAME MALE ASSEMBLY, Z-PACK 2mm HM, TYPE M	
TOLERANCES UNLESS OTHERWISE SPECIFIED:		APVD G SKIPPER 15JUL05	PRODUCT SPEC 108-19082	
<ul style="list-style-type: none"> 0-PLC ± - 1-PLC ± 0.2 ±0.2 2-PLC ± 0.02 3-PLC ± 0.005 4-PLC ± - ANGLES ± -0.30° 		APPLICATION SPEC 114-19029		
MATERIAL SEE SHEET 1	FINISH SEE SHEET 1	WEIGHT -	SIZE A1	CAGE CODE 00779
CUSTOMER DRAWING		DRAWING NO 5352049	RESTRICTED TO -	SCALE 4:1
		SHEET 2	OF 2	REV B