



ON Semiconductor®

<http://onsemi.com>

LA5774MC

Monolithic Linear IC

Separately-excited Step-down Switching Regulator (Variable Type)

Overview

The LA5774MC is a Separately-excited step-down switching regulator (variable type).

Function

- High efficiency.
- Time-base generator (160kHz) incorporated.
- Current limiter incorporated.
- Thermal shutdown circuit incorporated.
- Soft start circuit incorporated.

Specifications

Absolute Maximum Ratings at Ta = 25°C

Parameter	Symbol	Conditions	Ratings	Unit
Maximum Input voltage	V _{IN} max		30	V
Maximum Output current	I _O max		3	A
SW pin application reverse voltage	V _{SW}		-1	V
Allowable power dissipation	P _d max	Mounted on a substrate.*	3.9	W
VOS pin application reverse voltage	V _{VOS}		-0.2 to +7	V
Operating temperature	T _{opr}		-30 to +125	°C
Storage temperature	T _{stg}		-40 to +150	°C

* Specified substrate : 76.1×114.3×1.6mm³ : Copper foil ratio 60% FR4

Caution 1) Absolute maximum ratings represent the value which cannot be exceeded for any length of time.

Caution 2) Even when the device is used within the range of absolute maximum ratings, as a result of continuous usage under high temperature, high current, high voltage, or drastic temperature change, the reliability of the IC may be degraded. Please contact us for the further details.

Stresses exceeding Maximum Ratings may damage the device. Maximum Ratings are stress ratings only. Functional operation above the Recommended Operating Conditions is not implied. Extended exposure to stresses above the Recommended Operating Conditions may affect device reliability.

Recommended Operating Conditions at Ta = 25°C

Parameter	Symbol	Conditions	Ratings	Unit
Input voltage range	V _{IN}		4.5 to 28	V

ORDERING INFORMATION

See detailed ordering and shipping information on page 5 of this data sheet.

LA5774MC

Electrical Characteristics at $T_a = 25^\circ\text{C}$, $V_O = 3.3\text{V}$

Parameter	Symbol	Conditions	Ratings			Unit
			min	typ	max	
Reference voltage	V_{OS}		1.235	1.26	1.285	V
Efficiency	η			78		%
Switching frequency	f_{osc}		128	160	192	kHz
Line regulation	$\Delta V_{O\text{LINE}}$	$V_{IN} = 8 \text{ to } 20\text{V}$		40	100	mV
Load regulation	$\Delta V_{O\text{LOAD}}$	$I_O = 0.5 \text{ to } 1.5\text{A}$		10	30	mV
Output voltage temperature coefficient	$\Delta V_O/\Delta T_a$	Designed target value. *		± 0.5		mV/ $^\circ\text{C}$
Ripple attenuation factor	RREJ	$f = 100 \text{ to } 120\text{Hz}$		45		dB
Current limiter operating voltage	I_S		3.1			A
Thermal shutdown operating temperature	TSD	Designed target value. *		165		$^\circ\text{C}$
Thermal shutdown Hysteresis width	ΔTSD	Designed target value. *		15		$^\circ\text{C}$

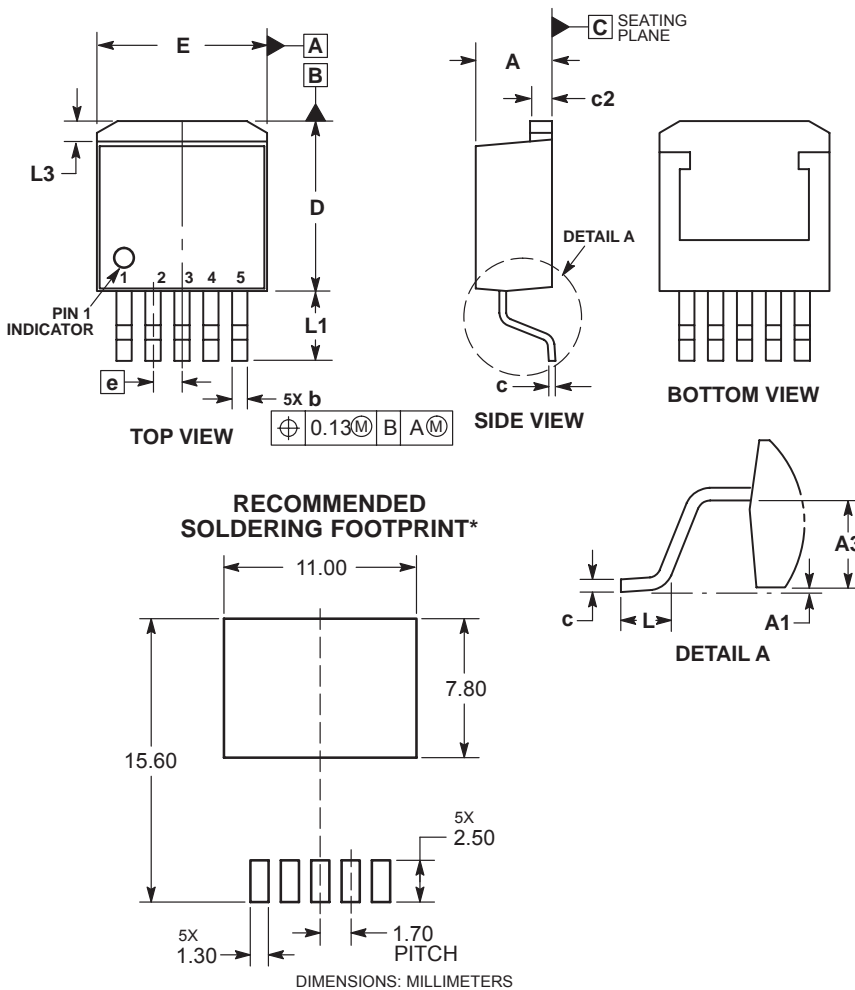
* Design target value: No measurement made.

PACKAGE DIMENSIONS

D²PAK5 / SMP5J

CASE 418AS

ISSUE O



NOTES:

1. DIMENSIONING AND TOLERANCING PER ASME Y14.5M, 1994.
2. CONTROLLING DIMENSION: MILLIMETERS.
3. DIMENSIONS D AND E DO NOT INCLUDE MOLD FLASH, PROTRUSIONS, OR GATE BURRS. MOLD FLASH, PROTRUSIONS, OR GATE BURRS SHALL NOT EXCEED 0.15 MILLIMETERS PER SIDE.
4. DIMENSIONS D AND E ARE DETERMINED AT THE OUTERMOST EXTREMES OF THE PLASTIC BODY.
5. DATUMS A AND B ARE DETERMINED AT DATUM PLANE C.

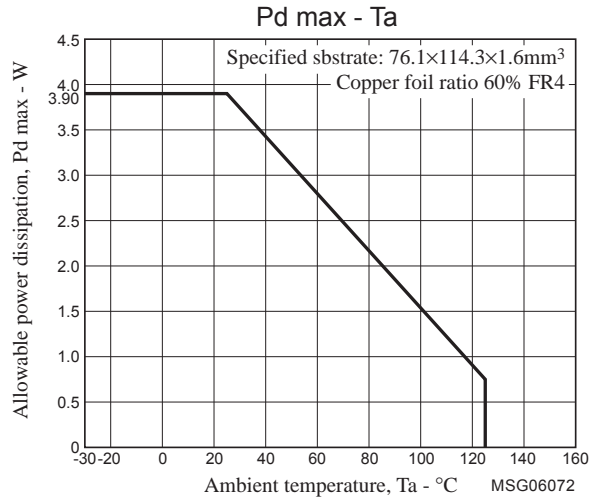
MILLIMETERS		
DIM	MIN	MAX
A	4.20	4.80
A1	0.00	0.30
A3	2.40	3.00
b	0.75	1.05
c	0.25	0.55
c2	1.10	1.50
D	9.50	10.30
E	9.80	10.20
e	1.70 BSC	
L	1.20	1.80
L1	3.80	4.40
L3	1.00	1.40

*For additional information on our Pb-Free strategy and soldering details, please download the ON Semiconductor Soldering and Mounting Techniques Reference Manual, SOLDERRM/D.

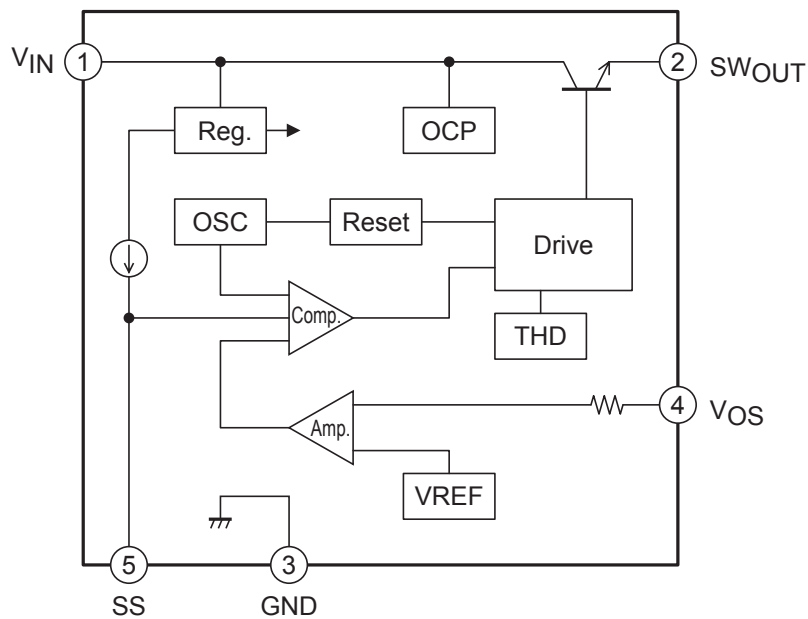
Pin Assignment

- (1) V_{IN} (2) SW_{OUT} (3) GND (4) V_{OS} (5) SS

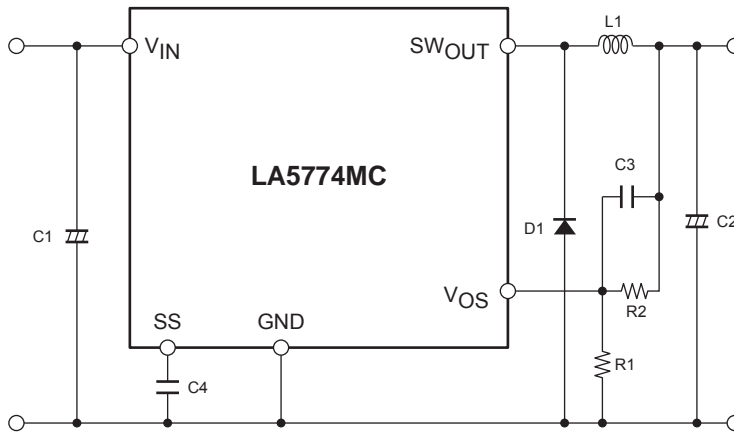
Allowable power dissipation derating curve



Block Diagram



Application Circuit Example



Description of Functional Settings

1. Calculation equation to set the output voltage

This IC controls the switching output so that the V_{OS} pin voltage becomes 1.26V (typ).

The equation to set the output voltage is as follows:

$$V_O = \left(1 + \frac{R_2}{R_1}\right) \times 1.26V(\text{typ})$$

The V_{OS} pin has the inrush current of 1μA (typ). Therefore, the error becomes larger when R₁ and R₂ resistance values are large.

2. Start delay function

The SS pin has the internally-connected 22μA (typ) constant-current supply. When the voltage of SS pin exceeds the threshold voltage, the regulator starts operation. As the threshold voltage is 0.62V (typ), the start delay time can be calculated as follows:

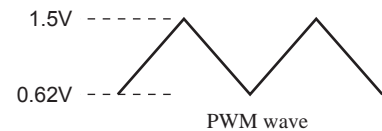
ex. For setting at 1μF

$$T_d = \frac{C \times V}{i} = \frac{1\mu F \times 0.62}{22\mu A} = 28.2 \text{ ms}$$

3. Soft start function

The internal PWM waveform has the voltage value as shown in the right.

If down-conversion from the voltage of V_{IN} = 15 V to V_{IN} = 3.3V is to be made, for example, the PWM-ON duty has the value as shown below.



$$PWMduty = \frac{V_{OUT} + VF}{V_{IN} - V_{sat} + VF} = 25 \%$$

(Note that calculation is made with V_{sat} = 1V and VF = 0.2V)

The output voltage of error amplifier, which is 3.3 V, is the value with PWM = 25%, as calculated in the above equation, so that this voltage is determined as follows:

$$V_{er} = (\Delta VPWM) \times PWMduty + VPWML = 0.88V \times 0.25 + 0.62V = 0.84V$$

(ΔVPWM is the PWM amplitude value or 0.88V(typ) while VPWML is the lower limit voltage of PWM waveform or 0.62V(typ))

LA5774MC

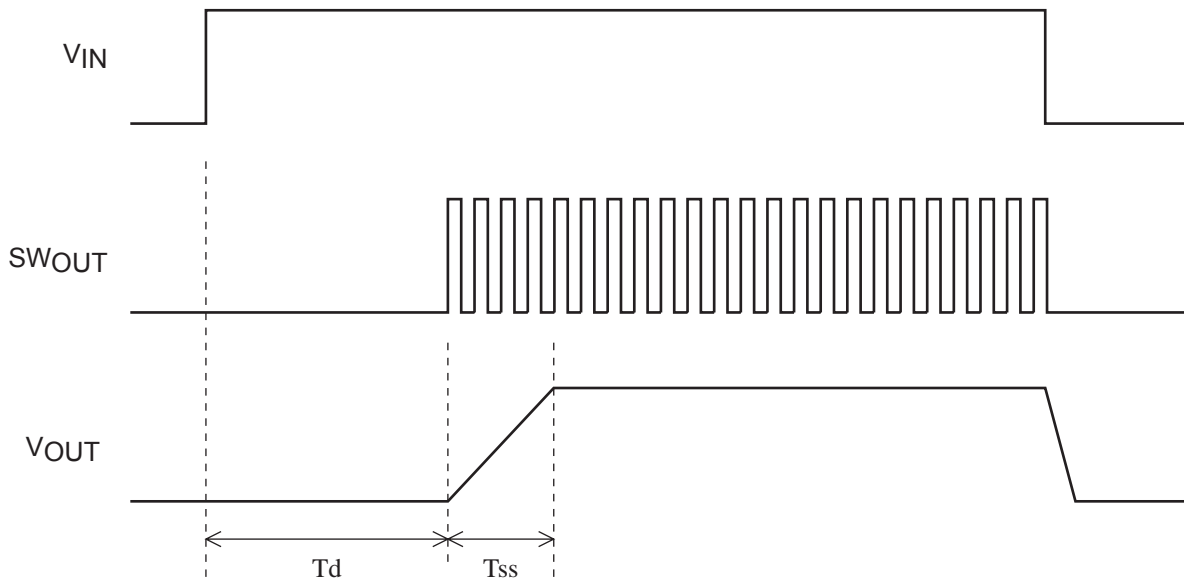
SS pin and error amplifier output voltages are designed to prefer the lower voltages, so that V_{OUT} will reach the designed regulation voltage in timing when the SS pin voltage exceeds the error amplifier output. Therefore, the soft start time is calculated as follows:

$$T_{ss} = \frac{C \times \Delta VPWM \times PWMduty}{i} = \frac{C \times 0.88 \times PWMduty}{22\mu A}$$

For the set conditions of $C = 1\mu F$ and $PWMduty = 25\%$:

$$T_{ss} = \frac{1\mu F \times 0.88V \times 0.25}{22\mu A} = 10ms$$

Timing Chart



ORDERING INFORMATION

Device	Package	Shipping (Qty / Packing)
LA5774MC-BE	SMP5J (Pb-Free / Halogen Free)	1000 / Tape & Reel
LA5774MC-E	SMP5J (Pb-Free / Halogen Free)	50 / Fan-Fold

ON Semiconductor and the ON logo are registered trademarks of Semiconductor Components Industries, LLC (SCILLC). SCILLC owns the rights to a number of patents, trademarks, copyrights, trade secrets, and other intellectual property. A listing of SCILLC's product/patent coverage may be accessed at www.onsemi.com/site/pdf/Patent-Marking.pdf. SCILLC reserves the right to make changes without further notice to any products herein. SCILLC makes no warranty, representation or guarantee regarding the suitability of its products for any particular purpose, nor does SCILLC assume any liability arising out of the application or use of any product or circuit, and specifically disclaims any and all liability, including without limitation special, consequential or incidental damages. "Typical" parameters which may be provided in SCILLC data sheets and/or specifications can and do vary in different applications and actual performance may vary over time. All operating parameters, including "Typicals" must be validated for each customer application by customer's technical experts. SCILLC does not convey any license under its patent rights nor the rights of others. SCILLC products are not designed, intended, or authorized for use as components in systems intended for surgical implant into the body, or other applications intended to support or sustain life, or for any other application in which the failure of the SCILLC product could create a situation where personal injury or death may occur. Should Buyer purchase or use SCILLC products for any such unintended or unauthorized application, Buyer shall indemnify and hold SCILLC and its officers, employees, subsidiaries, affiliates, and distributors harmless against all claims, costs, damages, and expenses, and reasonable attorney fees arising out of, directly or indirectly, any claim of personal injury or death associated with such unintended or unauthorized use, even if such claim alleges that SCILLC was negligent regarding the design or manufacture of the part. SCILLC is an Equal Opportunity/Affirmative Action Employer. This literature is subject to all applicable copyright laws and is not for resale in any manner.