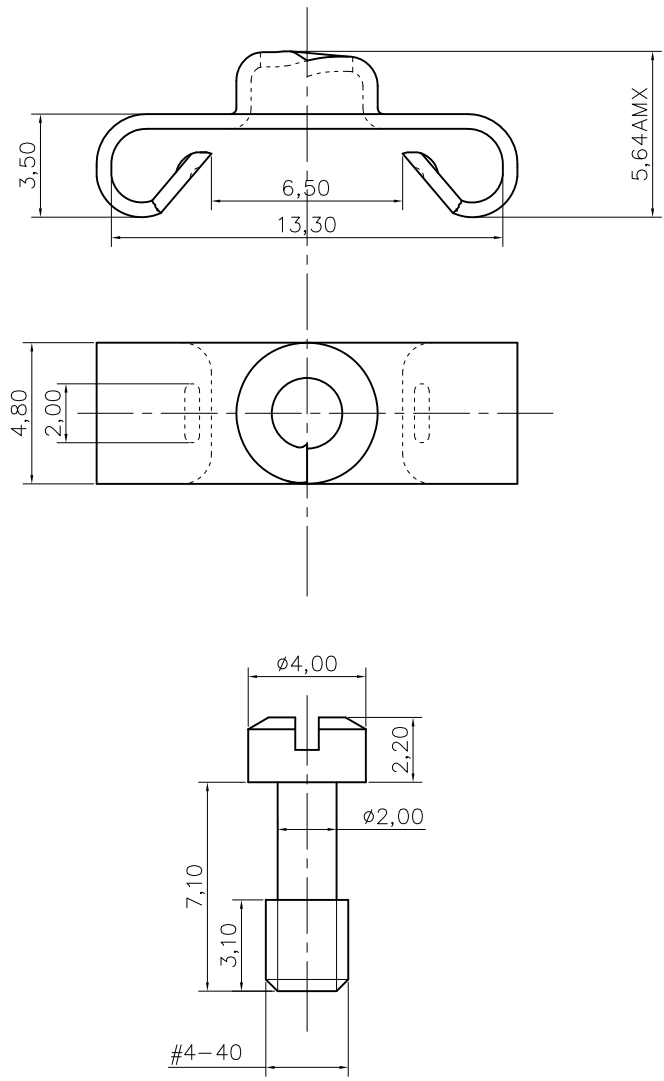


This document is the property of Amphenol Corporation and is delivered on the express condition that it is not to be disclosed, reproduced or used, in whole or in part, for manufacture or sale by anyone other than Amphenol Corporation without its prior consent, & that no right is granted to disclose or to use any information in this document.



Customer drawing

REVISIONS				
SYM	ECN	DESCRIPTION	DATE	APPROVED
1			Mar/04/11	

D-SUB TECHNICAL DATA

MATERIAL : Steel 100u" min tin over 50u" min nickel
 PACKAGE : Delivered separately
 1 P/N : 10 sets
 MARKING : Amphenol...(Series No.)
 Commercial reference
 Manufacturing date

PRODUCT CODE

L 17D20419EX

L: RoHS Compliance

X: 10 sets

UNLESS OTHERWISE SPECIFIED TOLERANCES U.S. METRIC .X +/- 0.50 .XX +/- 0.30 .XXX +/- 0.20 FRACTIONS +/- 2' ANGLES +/- SEE NOTES REMOVE SHARP EDGES DIMENSIONS U.S. INCHES METRIC MM	APPROVAL DRAWN <i>Mary.ma</i> CHECKED <i>Wk.wang</i> CHECKED	DATE Mar/04/11 Mar/04/11	Amphenol Amphenol East Asia Limited TITLE Lock Accessory SIZE DRAWING NO. A4 C L17D20419EX SCALE NONE SHEET 1 OF 1
	FOR MATERIALS AND FINISHES DRAWING FILE : ANGLE OF PROJECTION 	REV. 1	