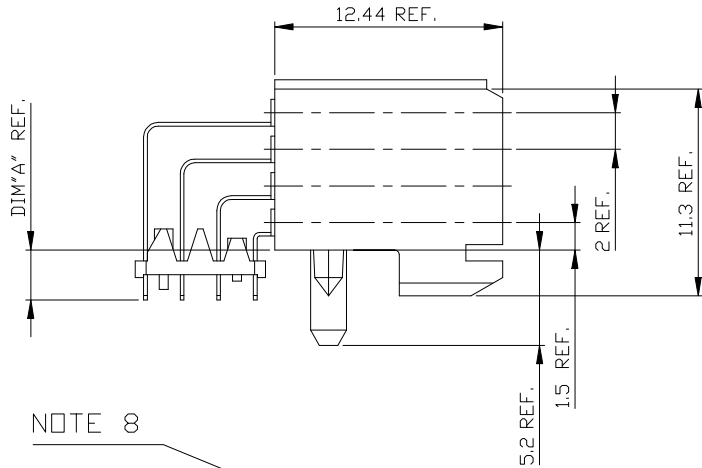
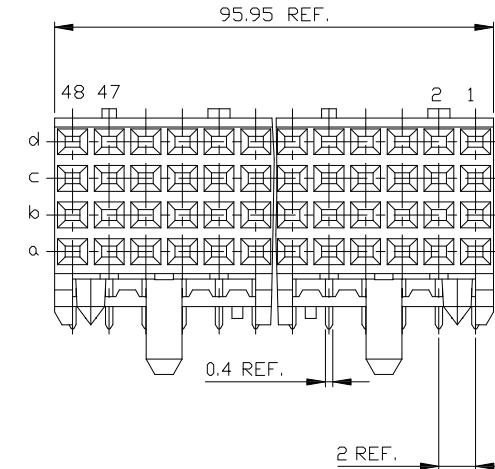
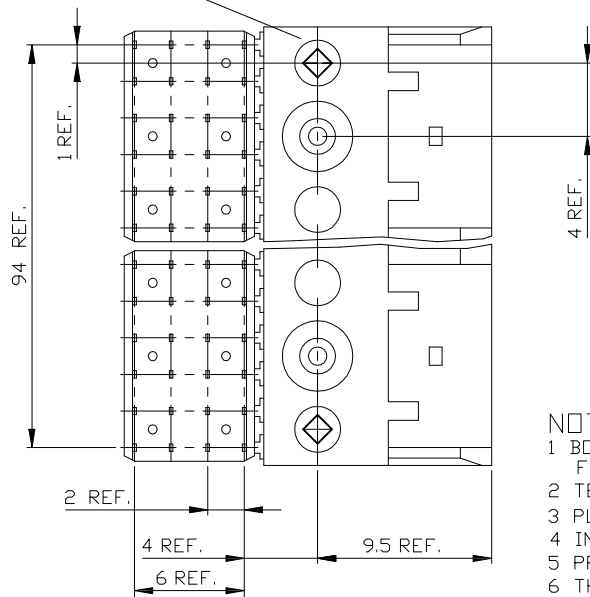


PC BOARD VERSIONS		
PRODUCTNR:	PCB THICKNESS	DIM"A"
70230-X01/X01LF	1.6	2.90
70230-X11/X11LF	2.4	3.53

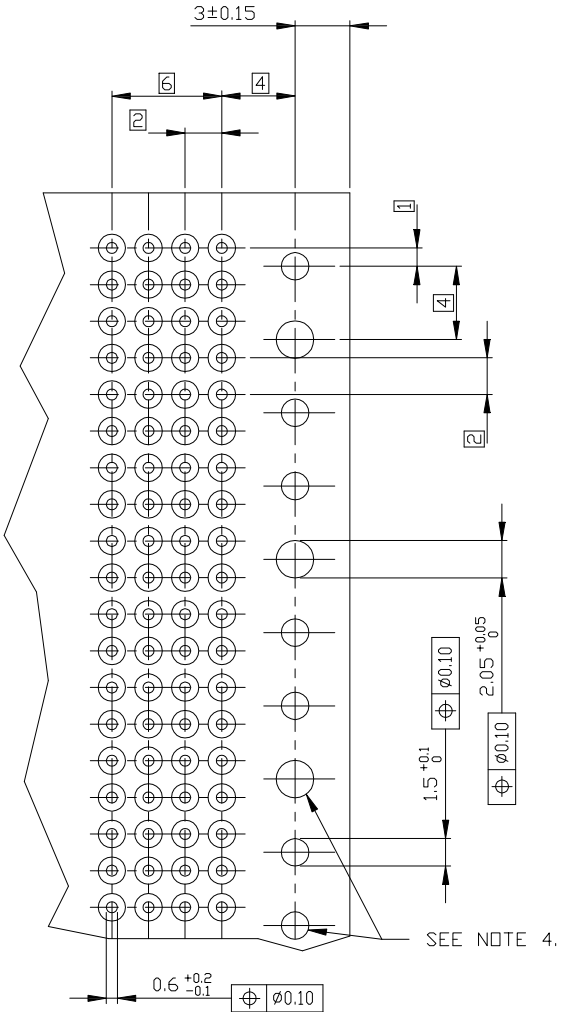
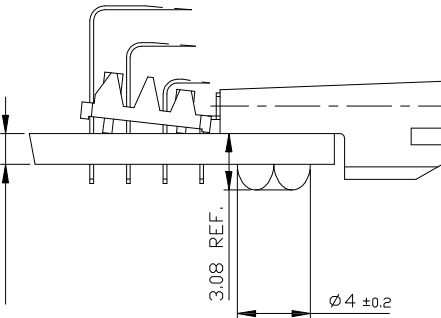


NOTE 8



PRODUCT AFTER HOT RIVETTING.

PC BOARD THICKNESS ±0.20  
SEE TABLE



RECOMMENDED HOLE PATTERN,  
COMPONENT SIDE.

NOTES:

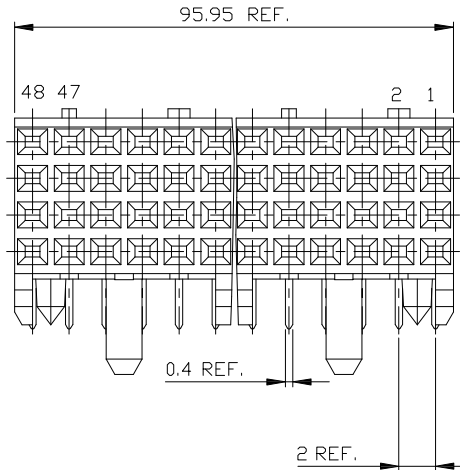
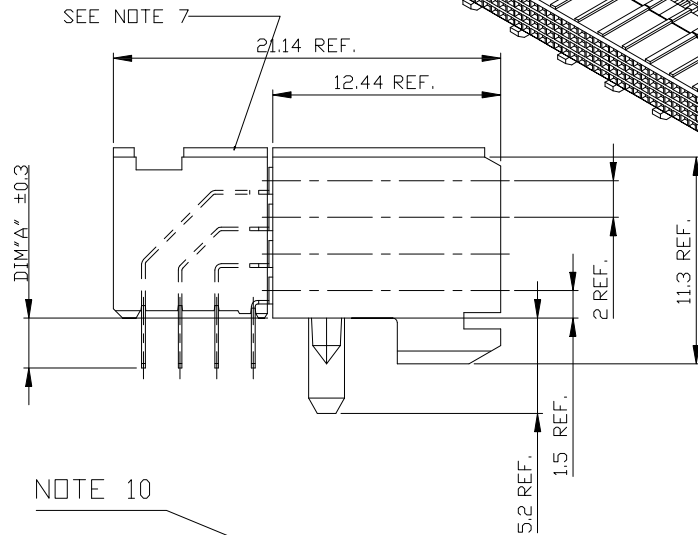
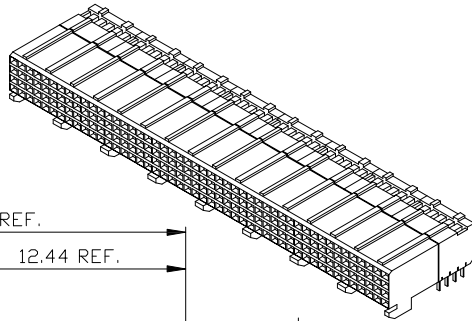
- 1 BODY MAT'L: LIQUID CRYSTAL POLYMER 30% GLASS  
FLAME RETARDANT ACC. UL 94-V0
- 2 TERMINAL MATERIAL: PHOSPHOR BRONZE.
- 3 PLATING SOLDER TAILS 2-8 um SnPb 90-97 OR 2-8 um PURE Sn
- 4 INDICATED HOLES ARE UNPLATED.
- 5 PRODUCT MARKING: PART NUMBER & BATCH ID.
- 6 THIS PRODUCT MEETS EUROPEAN UNION DIRECTIVES AND OTHER  
COUNTRY REGULATIONS AS DESCRIBED IN GS-22-008
- 7 THE HOUSING WILL WITHSTAND EXPOSURE TO 260 DEGREE PEAK  
TEMPERATURE FOR 10 SECONDS IN A WAVE SOLDER  
APPLICATION.
- 8 DIAMOND LOCATION PEG ARE ONLY EXISTED ON THE  
BOTH SIDES OF PRODUCT.

PLATING CONTACT AREA:

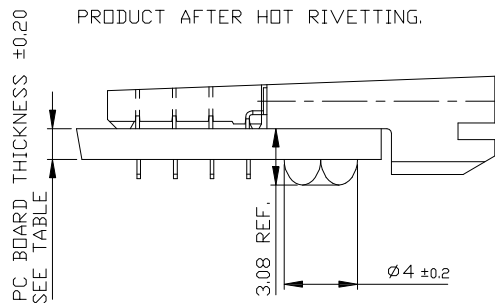
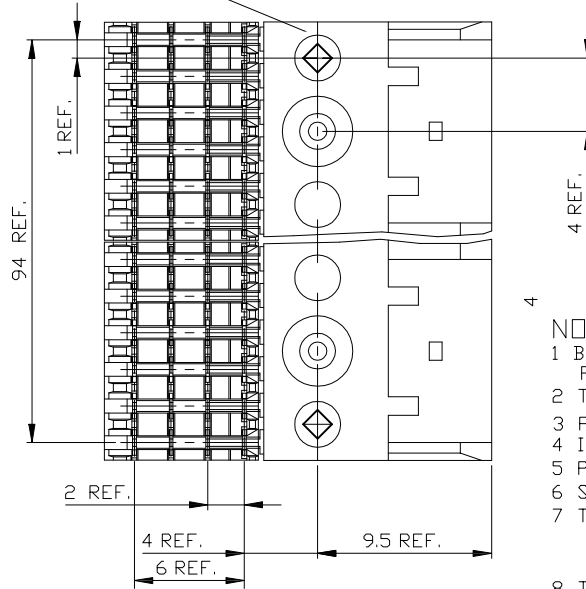
DASH NR:	PERFORMANCE LEVEL
-1YY/1YYLF	TELCORDIA CO
-2YY/2YYLF	CUSTOMER SPECIAL
-3YY/3YYLF	CUSTOMER SPECIAL

mat'l code		tolerances unless otherwise specified		CUSTOMER CDY		FCI	
ltr	ecnr	nodr	date	linear	projection	title	www.fciconnection.com
K	DG04-004	Clu	041221			RA FEMALE SIGNAL	
L	DG06-0477	Cenh	11/20/060			STB 96 mm VERSION	
M	DG07-0168	Cenh	05/10/07	angles			
N	DG09-0068	Cenh	06/06/09	dir	R.Trippe	900918	product family METRAL(tm)
H	V00578	LLA	000316	chr	A van Zanten	900918	code
J	V00847	LLA	000530	app	van Voensel	900918	size/dwg no
sheet	revision	N	N	scale	5:1	A2	70230
index	sheet	1	2				213
							sheet 1 of 3

PC BOARD VERSIONS		
PRODUCTNR:	PCB THICKNESS	DIM"A"
70230-X02/X02LF	1.6	2.90
70230-X12/X12LF	2.4	3.53

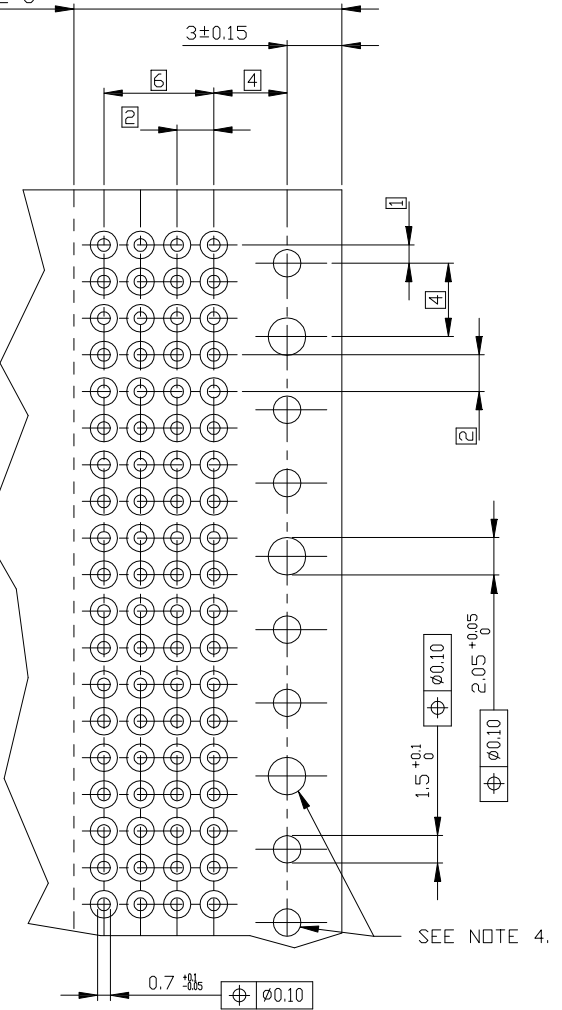


NOTE 10



PRODUCT AFTER HOT RIVETTING.

14.64 REF. SEE NOTE 6



RECOMMENDED HOLE PATTERN, COMPONENT SIDE.

- NOTES:
- 1 BODY MAT'L: LIQUID CRYSTAL POLYMER 30% GLASS  
FLAME RETARDANT ACC. UL 94-V0
  - 2 TERMINAL MATERIAL: PHOSPHOR BRONZE.
  - 3 PLATING SOLDER TAILS 2-8 鍍 SnPb 90-97 OR 2-8 鍍 PURE Sn
  - 4 INDICATED HOLES ARE UNPLATED.
  - 5 PRODUCT MARKING: PARTNUMBER & BATCH ID.
  - 6 SET BACK FOR PRESS BLOCK.
  - 7 TOP SURFACE OF PRESS BLOCK MAY EXTEND UP TO 0.4MM HIGHER THAN HOUSING. THIS MAY AFFECT THE TAIL LENGTH BEFORE APPLICATION TO A BOARD
  - 8 THIS PRODUCT MEETS EUROPEAN UNION DIRECTIVES AND OTHER COUNTRY REGULATIONS AS DESCRIBED IN GS-22-008 .
  - 9 THE HOUSING WILL WITHSTAND EXPOSURE TO 260DEGREE PEAK TEMPERATURE FOR 10 SECONDS IN A WAVE SOLDER APPLICATION.
  - 10 DIAMOND LOCATION PEG ARE ONLY EXISTED ON THE BOTH SIDES OF PRODUCT.

PLATING CONTACT AREA:

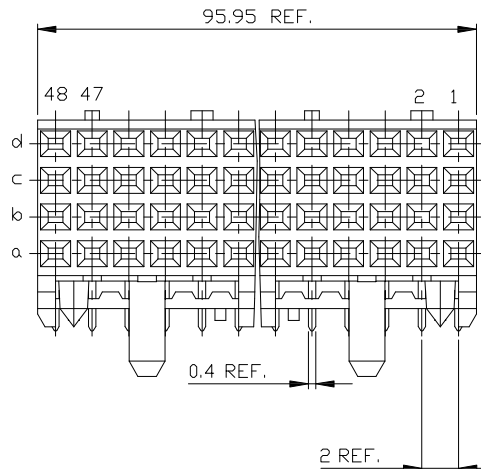
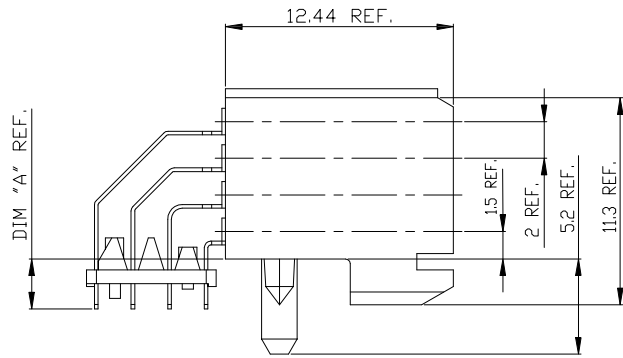
DASH NR:	PERFORMANCE LEVEL
-1YY/1YYLF	TELCORDIA CO
-2YY/2YYLF	CUSTOMER SPECIAL
-3YY/3YYLF	CUSTOMER SPECIAL

nat'l code		tolerances unless otherwise specified		CUSTOMER COPY		FCJ	
ltr	ecn	nodr	date	linear	projection	title	www.ficconnection
N				angles	mm	RA FEMALE SIGNAL	
				dir: D. de Bil	970529	product family METRAL(tm)	code
				engr: P. Schalk	970529	STB 96 mm VERSION	213
				chr: P. Schalk	970529	product family METRAL(tm)	sheet
				app: H. Cooljans	970529	size/dwg no	2 of-
sheet	revision			scale	5:1	70230	
index	sheet						

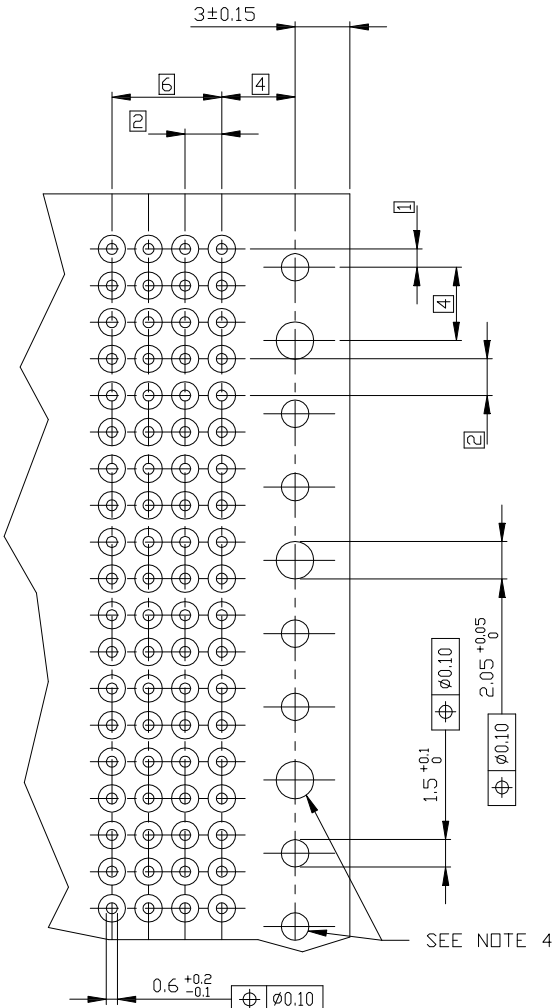
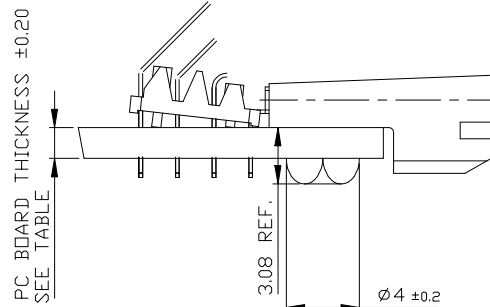
All rights strictly reserved. Reproduction or issue in any form without written authority from the proprietor. Property of F.C.I. bv. © F.C.I. bv.



PC BOARD VERSIONS		
PRODUCTNR:	PCB THICKNESS	DIM"A"
70230-X03/X03LF	1.6	2.90
70230-X13/X13LF	2.4	3.53

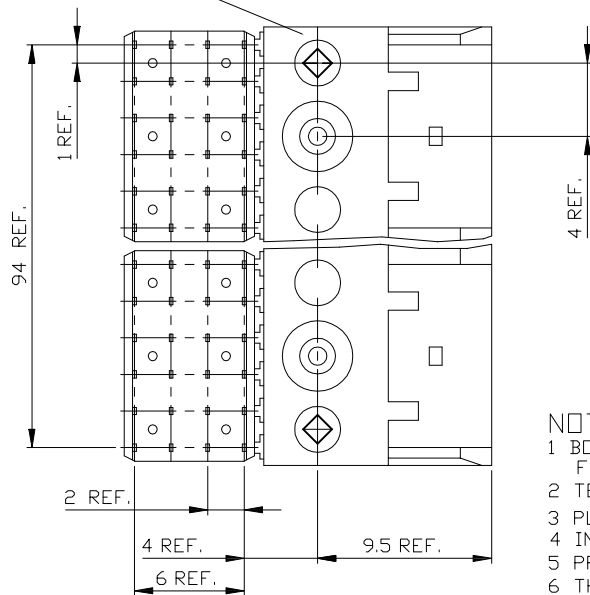


PRODUCT AFTER HOT RIVETTING.



RECOMMENDED HOLE PATTERN, COMPONENT SIDE.

NOTE 11



NOTES:

- BODY MAT'L: LIQUID CRYSTAL POLYMER 30% GLASS  
FLAME RETARDANT ACC. UL 94-V0
- TERMINAL MATERIAL: PHOSPHOR BRONZE.
- PLATING SOLDER TAILS 2-8 鍍 SnPb 90-97 OR 2-8 鍍 PURE Sn
- INDICATED HOLES ARE UNPLATED.
- PRODUCT MARKING: PART NUMBER & BATCH ID.
- THIS PRODUCT MEETS EUROPEAN UNION DIRECTIVES AND OTHER COUNTRY REGULATIONS AS DESCRIBED IN GS-22-008.
- THE HOUSING WILL WITHSTAND EXPOSURE TO 260 DEGREE PEAK TEMPERATURE FOR 10 SECONDS IN A WAVE SOLDER APPLICATION.
- DIAMOND LOCATION PEG ARE ONLY EXISTED ON THE BOTH SIDES OF PRODUCT.

PLATING CONTACT AREA:

DASH NR:	PERFORMANCE LEVEL
-1YY/1YYLF	TELCORDIA CO
-2YY/2YYLF	CUSTOMER SPECIAL
-3YY/3YYLF	CUSTOMER SPECIAL

mat'l code		tolerances unless otherwise specified		CUSTOMER CDY		FCI	
ltr	ecn	nodr	date	linear	projection	title	www.ficnconnection
N				angles	mm	RA FEMALE SIGNAL STB 96 mm VERSION	
				dir	Heaven Cen	11/20/06	product family
				engr	Collins Lu	11/20/06	METRAL(tm)
				chr	Beer Fu	11/20/06	code
				appd	Joseph Hsia	11/20/06	213
sheet	revision			scale	5:1		sheet
index	sheet						3 of