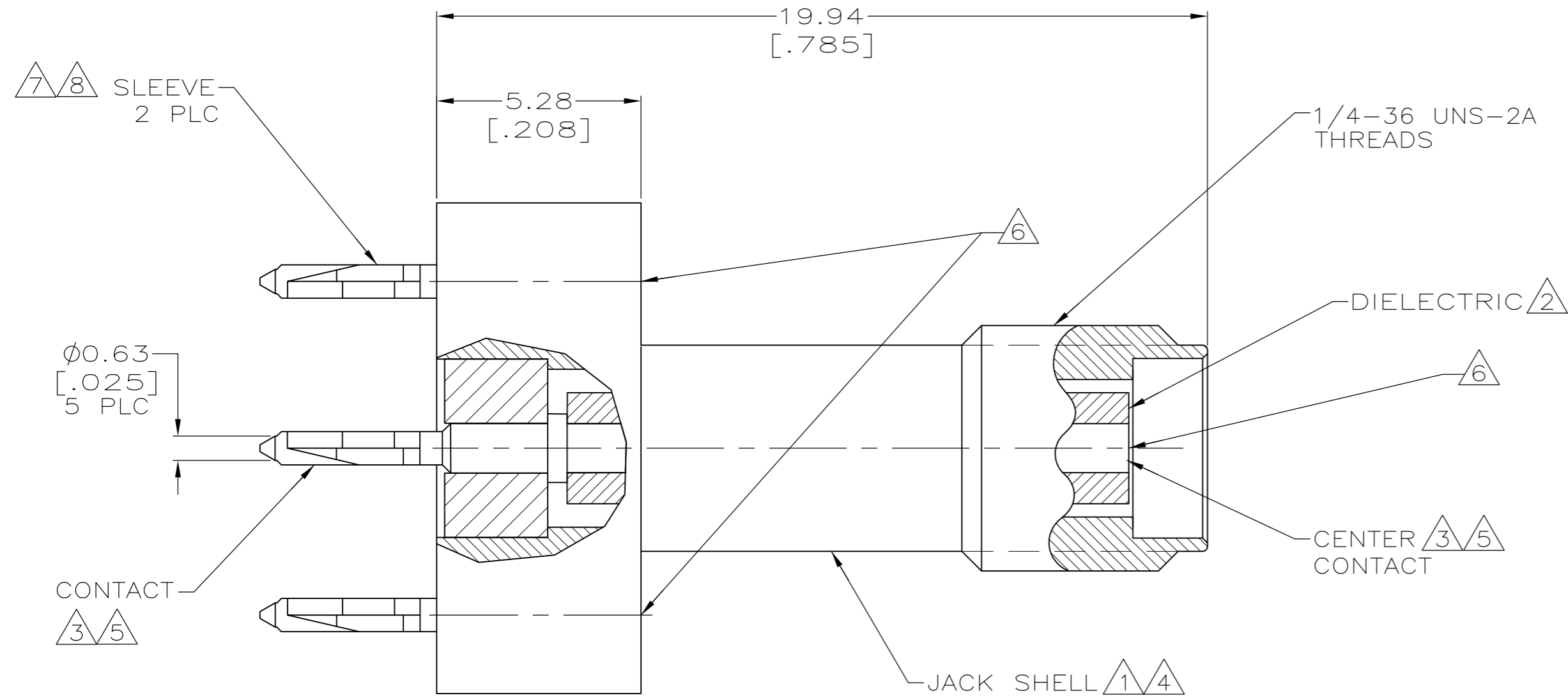
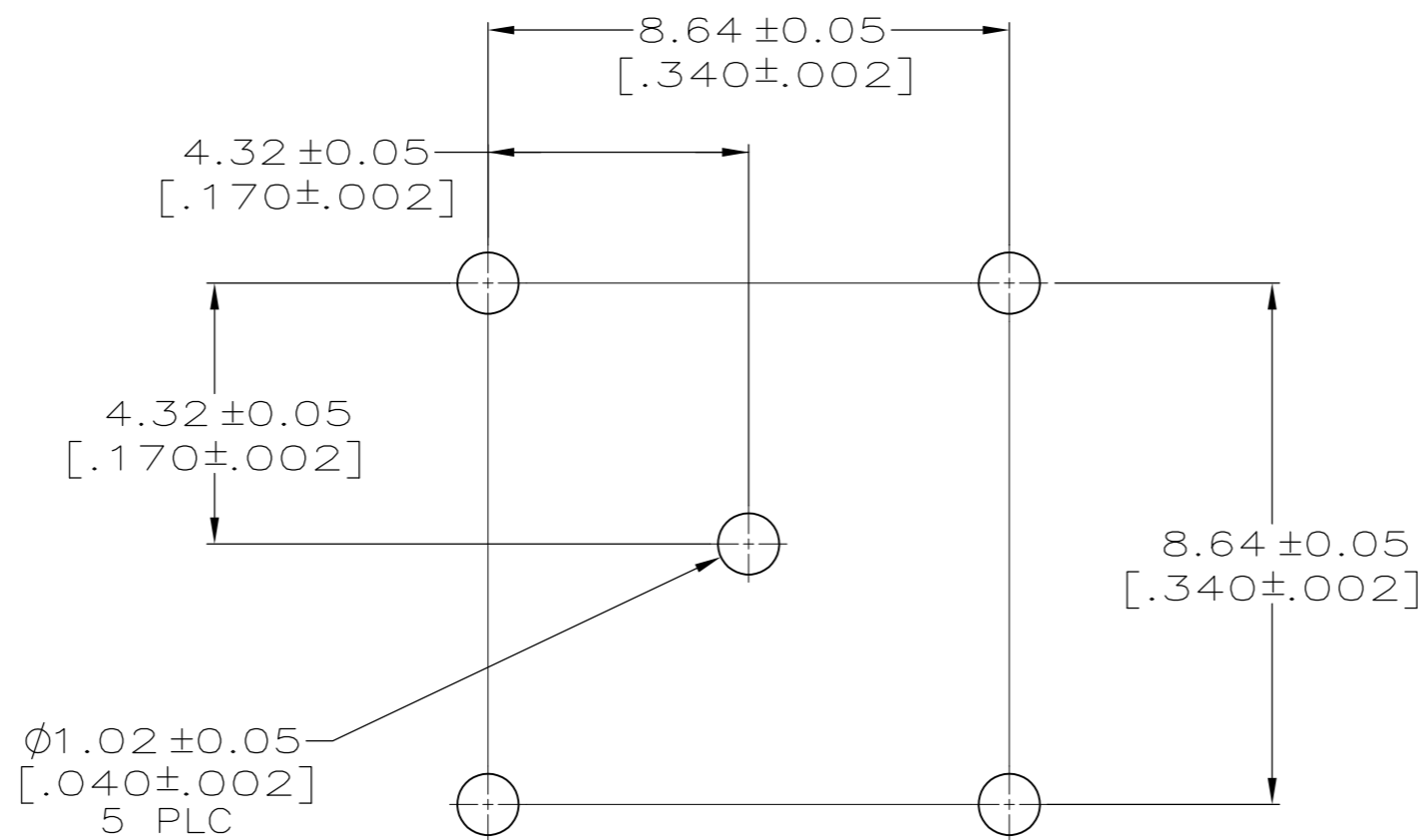
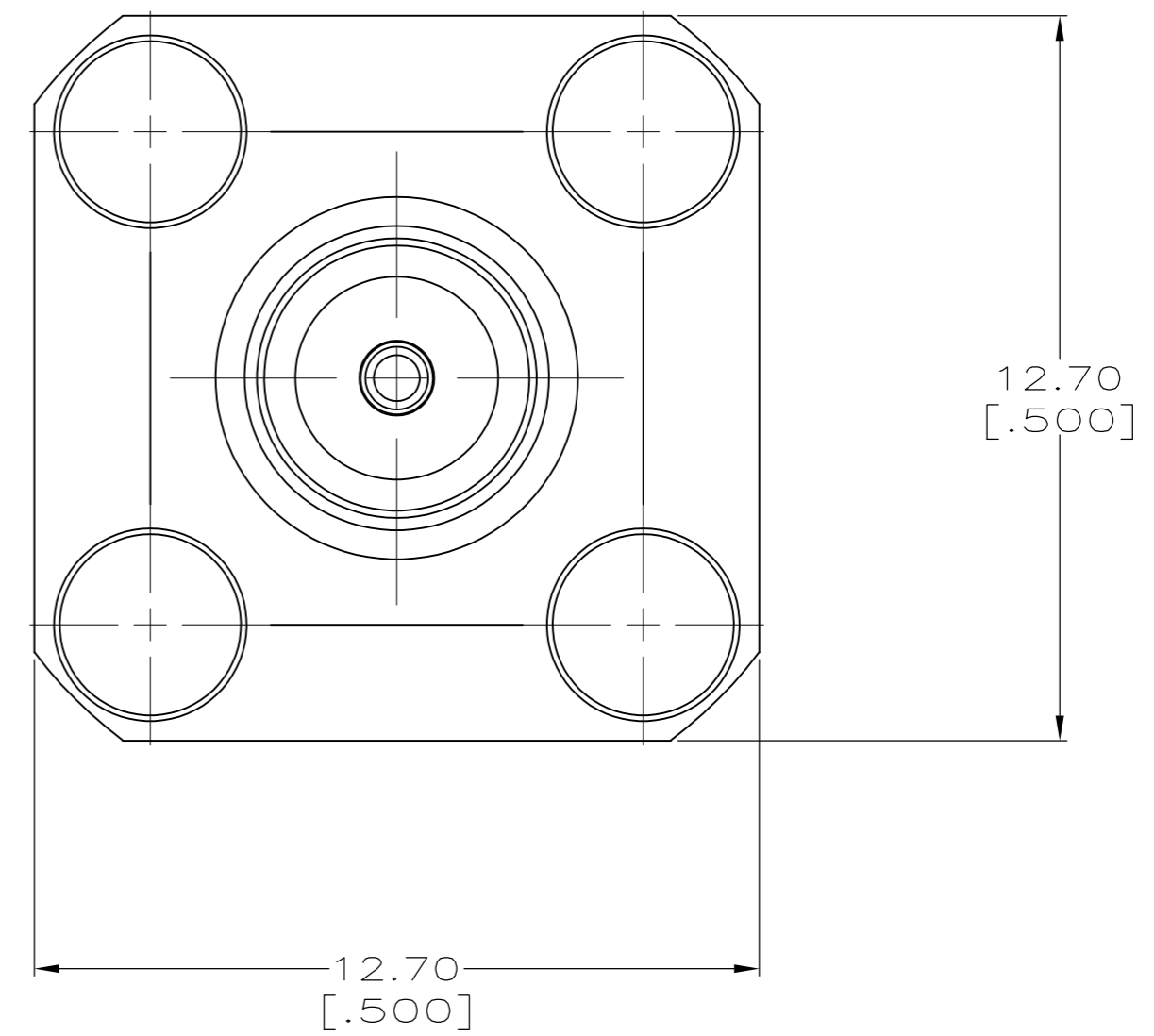


THIS DRAWING IS UNPUBLISHED. RELEASED FOR PUBLICATION
 © COPYRIGHT - By - ALL RIGHTS RESERVED.

LOC		DIST		REVISIONS			
P	LTR	DESCRIPTION		DATE	DWN	APVD	
AJ	16	E1	ECR-12-005726	27MAR12	RK	MY	



- 1 BRASS PER ASTM-B-16.
- 2 PTFE PER ASTM-D-1710.
- 3 BERYLLIUM COPPER PER ASTM-B-196.
- 4 NICKEL PLATE PER QQ-N-290.
- 5 GOLD PLATE PER ASTM-B-488.
- 6 APPLY FORCE IN THESE AREAS TO ASSEMBLE CONNECTOR INTO PC BOARD.
- 7 PHOS BRONZE PER ASTM-B-139.
- 8 TIN-LEAD PLATE PER ASTM-B-545



RECOMMENDED PCB CONFIGURATION

415637-1
 PART NUMBER

THIS DRAWING IS A CONTROLLED DOCUMENT.		DWN B. MOYER 09OCT96	TE Connectivity	
DIMENSIONS: mm [INCHES]		CHK J. CABARLO 09OCT96		
TOLERANCES UNLESS OTHERWISE SPECIFIED:		APVD J. CABARLO 09OCT96	NAME JACK, ACTION PIN, PCB, SMA	
0 PLC ± - 1 PLC ± - 2 PLC ± 0.13 [.005] 3 PLC ± - 4 PLC ± - ANGLES ± -		PRODUCT SPEC -	SIZE A2	CAGE CODE 00779
MATERIAL 1 2 3		FINISH 4 5	DRAWING NO C=415637	RESTRICTED TO -
CUSTOMER DRAWING			SCALE 8:1	SHEET 1 of 1
			REV E1	