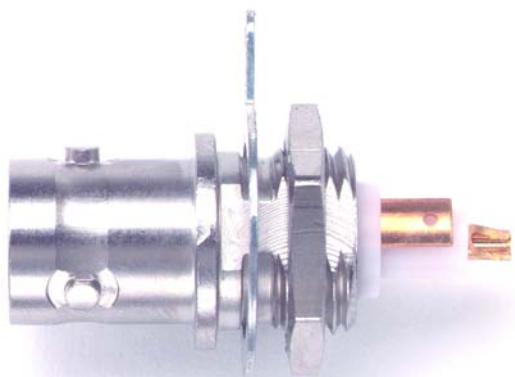
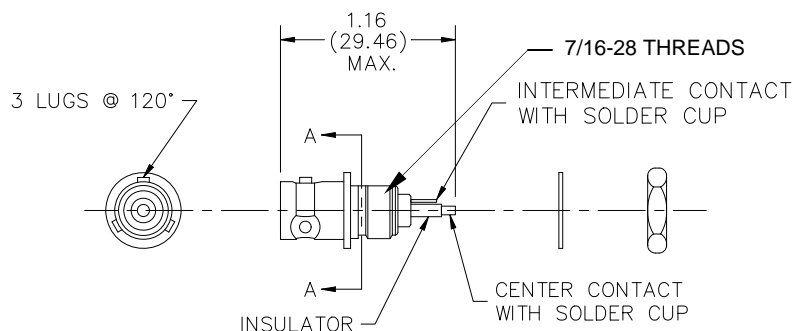


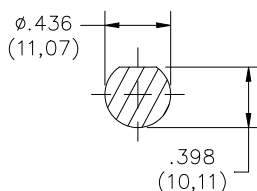
**Model 5219**  
**Triaxial, 3 Lug Bayonet BNC Style, (F) Bulkhead Mount**



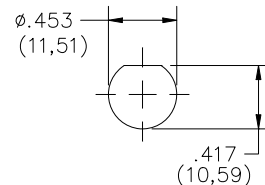
**Model 5219**  
**Triaxial, 3 Lug Bayonet BNC Style,**  
**(F) Bulkhead Mount**



0.05" MAX PANEL THICKNESS



SECTION A-A



MOUNTING HOLE PATTERN

**Materials**

Body/Fittings: Brass per QQ-B-626, Alloy 360, 1/2 Hard  
Tarnish Resistant

Dielectric: PTFE per MIL-P-19468

Center Contact: Gold Plated Beryllium Copper per QQ-C-530, Cond. HT. & MIL-C-49142.

Marking: "POMONA 5219"

**Ratings**

Operating Voltage: 500 VRMS

Nominal Impedance: 50 Ohms

Frequency Range: DC to 500 MHZ

Operating Temperature: -65°C to +165°C

**Ordering Information**

Model: 5219

**USA:** Sales: 800-490-2361  
Technical Support: [technicalsupport@pomonatest.com](mailto:technicalsupport@pomonatest.com)  
Fax: 425-446-5844

**Europe:** 31-(0) 40 2675 150 **International:** 425-446-5500

**Where to Buy:** [www.pomonaelectronics.com](http://www.pomonaelectronics.com)

All dimensions are in inches. Tolerances (except noted): .xx = ±.02" (.51 mm), .xxx = ±.005" (.127 mm). All specifications are to the latest revisions. Specifications are subject to change without notice. Registered trademarks are the property of their respective companies.