

THIS DRAWING IS UNPUBLISHED.

RELEASED FOR PUBLICATION

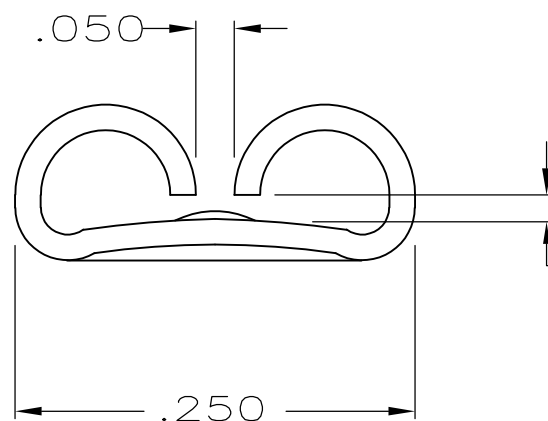
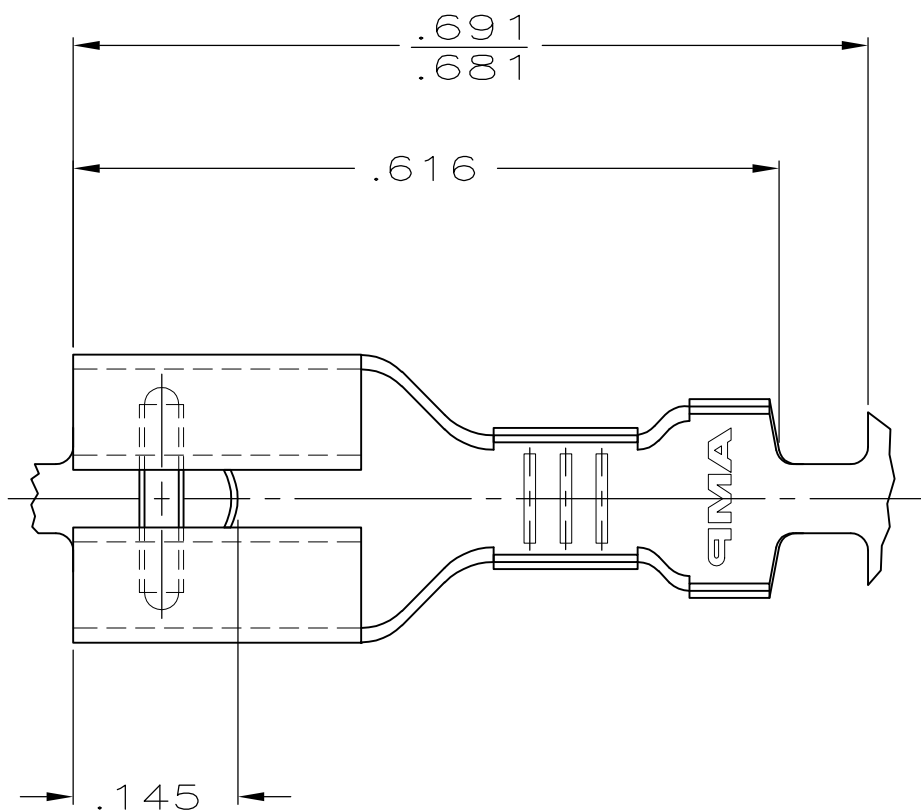
ALL RIGHTS RESERVED.

© COPYRIGHT - By -

LOC AF DIST 50

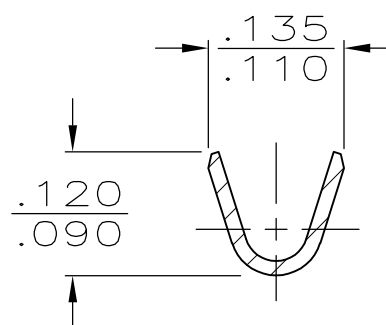
REVISIONS

P	LTR	DESCRIPTION	DATE	DWN	APVD
	U	REVISED PER ECR-12-013445	09NOV12	KH	PD

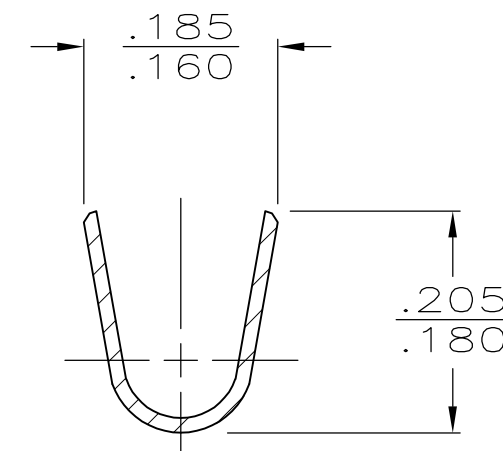


FITS '205' SERIES FASTON TAB

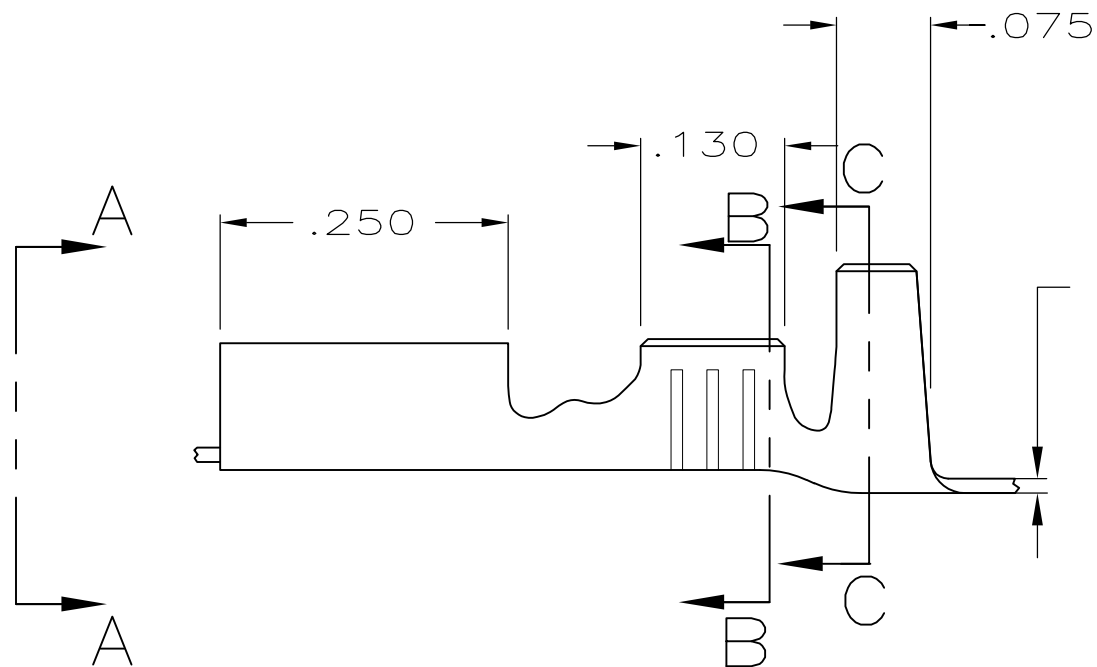
VIEW A-A



SECTION B-B




SECTION C-C



.012±.001

TIN	NONE	.020	22-18	.085-.125	42710-2
FINISH	NONE	MATING TAB THK ±.001	WIRE SIZE	INSULATION RANGE	42710-1
				PART NUMBER	

THIS DRAWING IS A CONTROLLED DOCUMENT.		DWN JR RUTH 2/24/89	 TE Connectivity RECEPTACLE, FASTON, .205 SERIES											
DIMENSIONS: INCHES		CHK P FORTNEY 2/24/89												
TOLERANCES UNLESS OTHERWISE SPECIFIED:		APVD C MEYERS 2/24/89												
<table border="1"> <tr><td>0 PLC</td><td>± -</td></tr> <tr><td>1 PLC</td><td>± -</td></tr> <tr><td>2 PLC</td><td>± -</td></tr> <tr><td>3 PLC</td><td>± .015</td></tr> <tr><td>4 PLC</td><td>± -</td></tr> <tr><td>ANGLES</td><td>± -</td></tr> </table>		0 PLC				± -	1 PLC	± -	2 PLC	± -	3 PLC	± .015	4 PLC	± -
0 PLC	± -													
1 PLC	± -													
2 PLC	± -													
3 PLC	± .015													
4 PLC	± -													
ANGLES	± -													
MATERIAL BRASS	FINISH SEE TABLE	PRODUCT SPEC -	APPLICATION SPEC -	WEIGHT -	RESTRICTED TO -									
CUSTOMER DRAWING			SIZE A3	CAGE CODE 00779	DRAWING NO C-42710									
			SCALE 6:1	SHEET 1 OF 1	REV U									