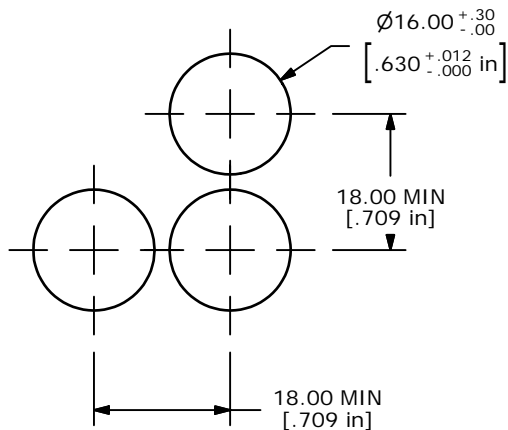
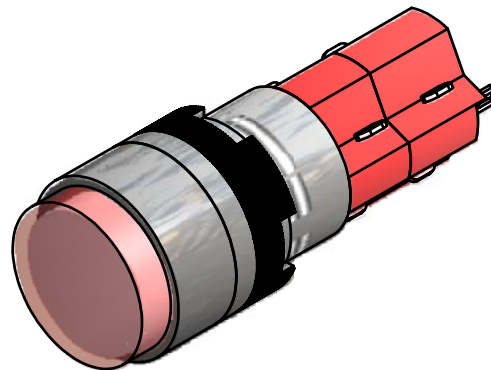
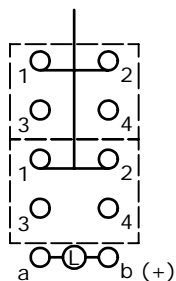


PARTS LIST

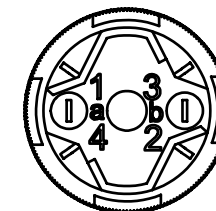
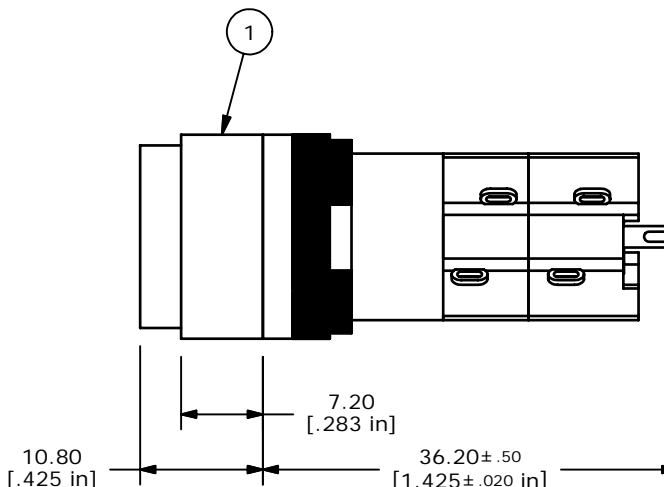
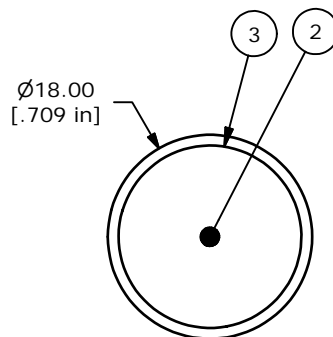
ITEM	QTY	PART NUMBER	DESCRIPTION
1	1	F040027	D16OAR12
2	1	F050417	50-004-17 6VDC LED
3	1	F050104	50-001-04 ROUND RED LENS



PANEL MOUNTING



CONTACT CONFIGURATION



NOTE:

1. ALL DIMENSIONS IN MM [INCH]
2. GENERAL TOLERANCE: X.X=±0.4
X.XX=±0.25
3. TERMINAL NUMBERS FOR REF ONLY
4. MECHANICAL LIFE: 2,000,000 OPERATIONS
5. INSULATION RESISTANCE: 1,000 MILLI-OHM MIN.
6. OPERATING TEMP.: -25°C to 70°C
- ▲ 7. LAMP VOLTAGE: 6VDC RED LED
8. ▲ DENOTES CRITICAL PARAMETER.
9. PACKAGE: BOX/20 PCS. PER
10. 2002/95/EC (ROHS) COMPLIANT.



TITLE D16OAR12HREDRED

A	17458	RELEASED FOR PRODUCTION	7/12/07	TN
REV	PCR NO	DESCRIPTION	DATE	BY

THE INFORMATION CONTAINED IN THIS DOCUMENT IS PROPRIETARY TO E-SWITCH AND IS NOT TO BE COPIED OR TRANSFERRED

SCALE	DATE	DR	DWG	REV
2:1	7/12/2007	TN	XF0729P	A