

C-180374

ADATTO PER APPLIC. STD. (FOR STD APPLICATOR)		ADATTO PER MINI APPLICAT. (FOR MINI APPLICATOR)	
N° PART	MATERIALE E FINITURA (MATERIAL & FINISH)	N° PART	MATERIALE E FINITURA (MATERIAL & FINISH)
180374-1	OTTONE (BRASS)	280315-1	OTTONE (BRASS)
180374-2	OTTONE STAGNATO (TIN PL. BRASS)	280315-2	OTTONE STAGNATO (TIN PL. BRASS)
180374-3	BRONZO FOSFOROSO (PHOSPHOR BRONZE)	280315-3	OTTONE ARGENTATO (SILVER PL. BRASS)
180374-4	BRONZO FOSF. ARGENTATO (SILVER PL. PHOSPH. BRONZE)	280315-4	BRONZO FOSF. ARGENTATO (SILVER PL. PHOSPH. BRONZE)
180374-5	BRONZO FOSF. STAGNATO (TIN PL. PHOSPH. BRONZE)	280315-5	BRONZO FOSFOROSO (PHOSPHOR BRONZE)
180374-6	OTTONE ARGENTATO (SILVER PL. BRASS)	280315-6	BRONZO FOSF. STAGNATO (TIN PL. PHOSPH. BRONZE)

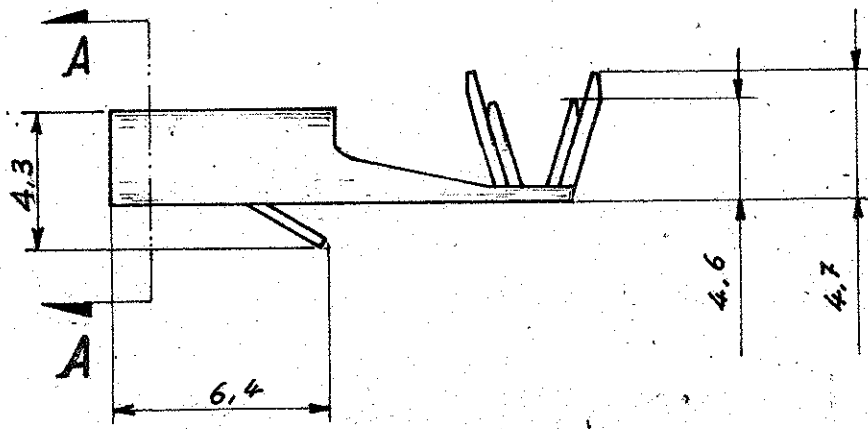
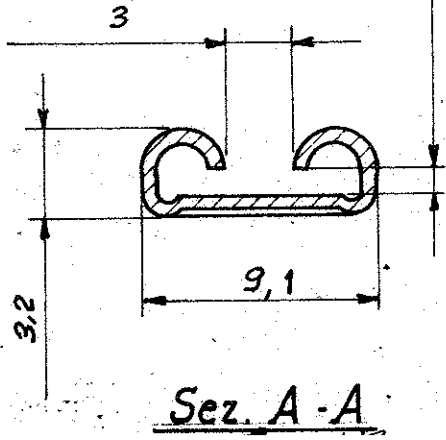
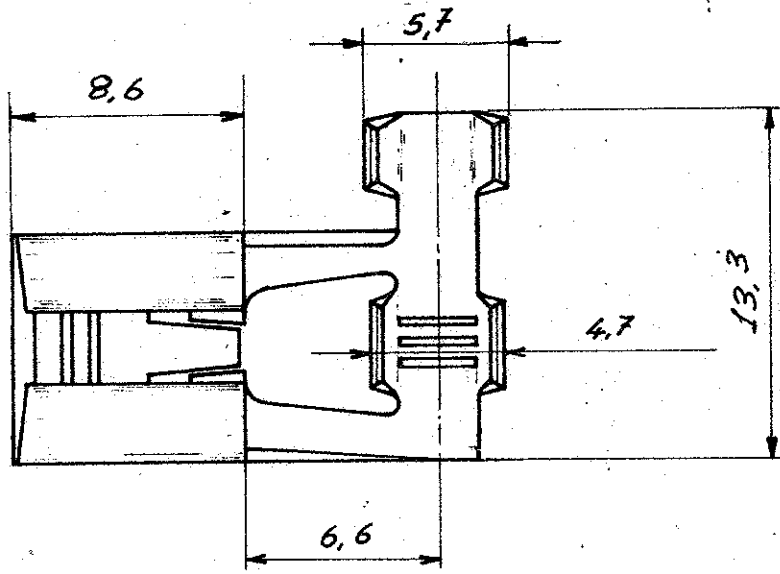
⚠
OBSOLETE

⚠
OBSOLETE

OBSOLETE *

⚠ OBSOLETE PARTS: OBSOLETE CIS STREAMLINING
PER D.RENAUD/D.SINISI

Adatto per linguetta di sp. 0,8
(TO FIT 0,8mm TAB THK.)



DIMENSIONS IN MM. DO NOT SCALE PRINT

AL1	REV PER ECO-09-026346	KK	AEG	26 NOV 09
AL	Revised ET00-0319-97	97	A.F.	05.09.1997
AK	Revised ET00-0448-96	96	✓	21/10/99
H	Revised for ET00-0080-94	94	27	28/1/94
G	ADDED P/NS 280315-5 AND 280315-6			17 OCT '88
F	INS. RANGE WAS 4,3 mm DIA			31 MAY 88
E	ADDED P/N 280315-4			12/5/87
LTR	REVISION RECORD	DR	CHK	DATE
DR	9-1-73	DE		
CHK		APP		

© 1973 BY AMP INCORPORATED. ALL RIGHTS RESERVED. AMP PRODUCTS COVERED BY PATENTS AND OR PATENTS PENDING.

CUSTOMER COPY
REFERENCE ONLY

MATERIAL AND FINISH

VEDERE TABELLA
(SEE TABLE)

WIRE RANGE INSULATION TYPE
2,5-4 mm² | 3,6 ÷ 4,6 DIA | F. F.

TOLERANCE EXCEPT AS NOTED
± 0,4 ± 10'

SCALE LOC NO
4:1 I A

NAME
.312 SERIES FASTII - FASTON REC.

AMP

AMP ITALIA
VIA CERVI 15
COLLENO (TORINO)

CLASS .312 SERIES

TYPE F. F.

NO C-180374

REV AL1