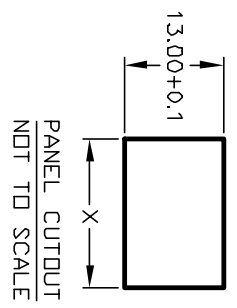
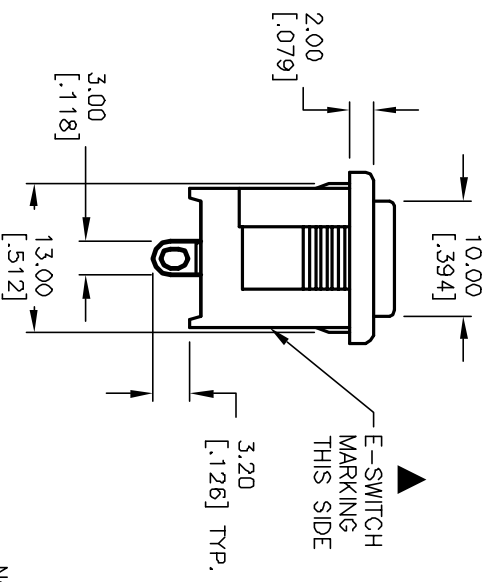
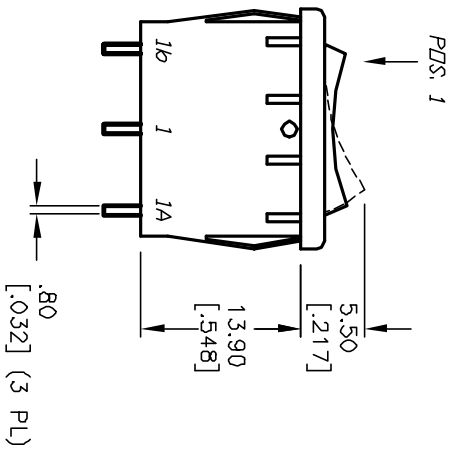
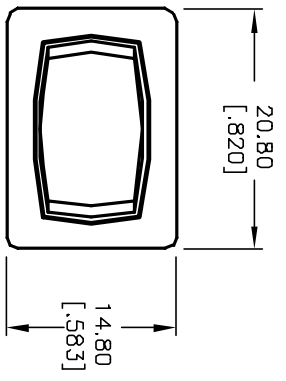
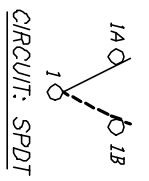


PANEL THICKNESS	X dimension
0.75-1.25 [0.30-.049]	19.2-.01 [7.56]
1.25-2.0 [0.49-.079]	19.4-.01 [7.64]
2.0-3.0 [0.79-.118]	19.8-.01 [7.80]



SWITCH FUNCTION			
POS. 1	POS. 2	POS. 3	
<DN>	DNF	<DN>	
1-1a	OPEN	1-1b	



NOTES:

1. ALL DIMENSIONS IN MM [INCH]
2. GENERAL TOLERANCE: X.X=±0.4 X.XX=±0.25
3. TERMINAL NUMBERS FOR REF ONLY
4. RATING: 15A @ 125VAC OR 6A @ 250VAC
5. APPROVALS: UL, CSA, NEMKO, SEMKO, FEMKO, DEMKO
6. MATERIALS: TERMINALS: Silver Plated Copper Alloy CONTACTS: Coin Silver, Silver Plated
7. ELECTRIC LIFE: 10,000 cycles
8. CONTACT RESISTANCE: <20 Mega-OHM
9. INSULATION RESISTANCE: >1000 Mega-OHM
10. DIELECTRIC STRENGTH: >1500 V 1 minute >3000 V between poles

**E-SWITCH®**

R19661 BLK BLK ES

B	12061	REVISED AND REDRAWN	4/16/02	CJB
REV.	ECN No.	DESCRIPTION	DATE	CHKD

SCALE	DATE	DR	DWG	REV
1.5:1	4/16/02	CB	M306203	B

THE INFORMATION CONTAINED IN THIS DOCUMENT IS PROPRIETARY TO E-SWITCH AND IS NOT TO BE COPIED OR TRANSFERRED