



PRODUCT DATASHEET

Laura series

last update 12/5/2016

DETAILS

Product Number	CX12983_LAURA-R-XW
Family	Laura
Type	RefPack
Color	white
Diameter	21,6 x 21,6 mm
Height	12,9 mm
Style	square
Optic Material	
Holder Material	
Fastening	tape
Status	production ready
ROHS Compliant	Yes
Date Updated	12/05/2016



OPTICAL PROPERTIES

LED	Viewing Angle	Light Beam	Efficiency	cd/lm	Connector
LUXEON Rebel	71 deg	WWW-class	87 %	0.670	-

D

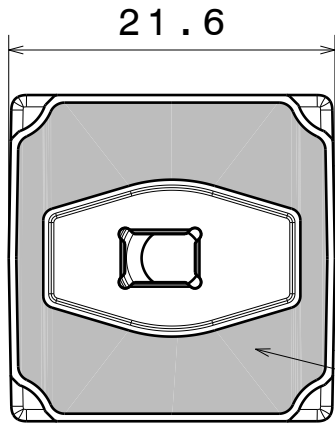
C

B

A

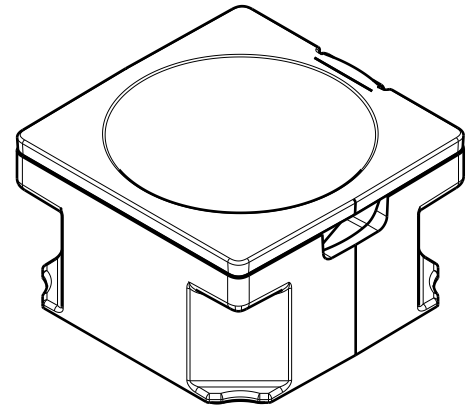
4

4



21.6

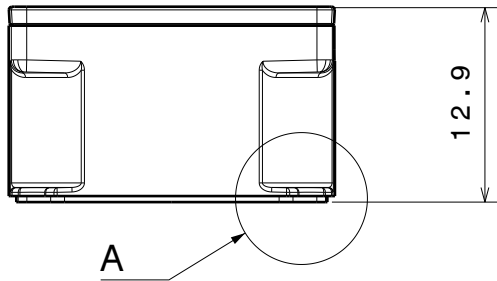
Tape 0.4mm



Isometric view
Scale: 2:1

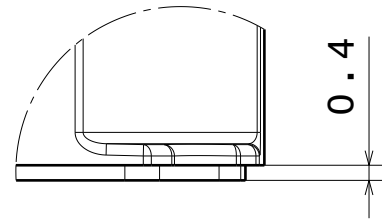
3

3



12.9

A

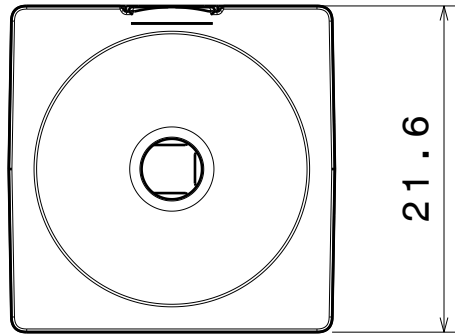


0.4

Detail A
Scale: 5:1

2

2



21.6

Materials

Reflector: PC, high reflective white
Holder: PC, white
Tape: PU Foam

This drawing is our property.
It can't be reproduced
or communicated without
our written agreement.



Ledil Oy
Salorankatu 10
FIN 24240 SALO
Finland

DRAWING TITLE

LAURA - REF - XW - RE

1

1

DRAWN BY	DATE
as	3.8.2012
CHECKED BY	DATE
-	-
DESIGNED BY	DATE
-	-

SIZE	PART NUMBER	REV
A4		001
SCALE	WEIGHT	SHEET
2:1		1/1

D

A

NOTE: The typical divergence will be changed by different color, chip size and chip position tolerance. The typical total divergence is the full angle measured where the luminous intensity is half of the peak value.