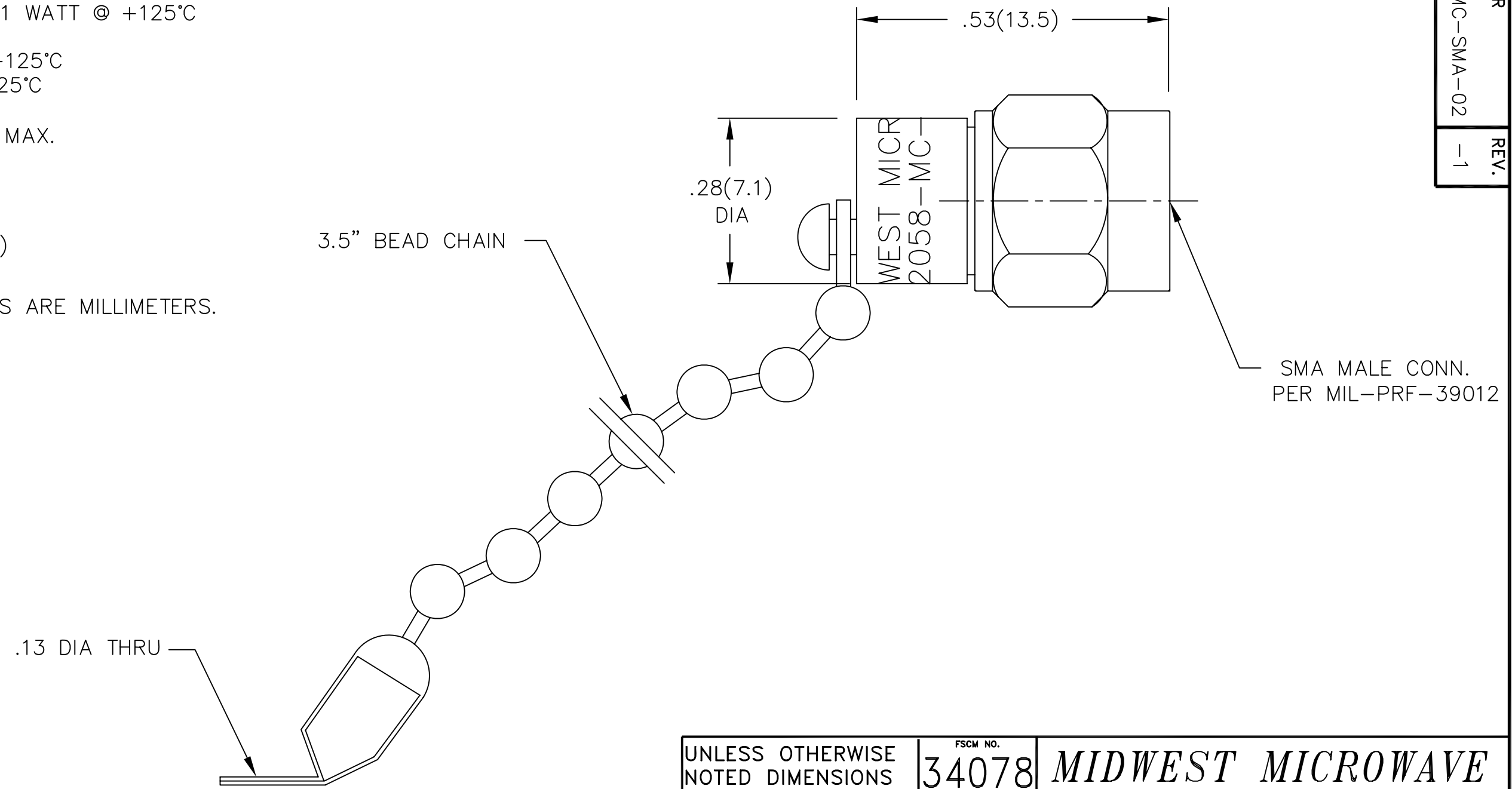


NOTES:

- 1.0 ELECTRICAL SPECIFICATIONS:
 - 1.1 FREQUENCY RANGE: DC to 8.0 GHz.
 - 1.2 MAXIMUM INPUT POWER: 2 WATT AVG. @ +25°C
DERATED LINEARLY TO 1 WATT @ +125°C
 - 1.3 TEMPERATURE RANGE:
 - OPERATING: -65°C to +125°C
 - STORAGE: -65°C to +125°C
 - 1.4 IMPEDANCE: 50 OHMS
 - 1.5 VSWR: 1.05 +0.008f(GHz) MAX.

- 2.0 MARKING:
MARK UNIT AS SHOWN
(REF.: INK-02639-27-43)

3.0 DIMENSIONS IN PARENTHESIS ARE MILLIMETERS.



DATE	1/20/94	10/27/05
DESCRIPTION	RELEASED	ADDED TITLEBLOCK
REV.	-	-1

UNLESS OTHERWISE NOTED DIMENSIONS ARE IN INCHES AND TOLERANCES ARE: 3 PLACE DECIMALS ±.005 2 PLACE DECIMALS ±.02 FRACTIONS ±1/64 PARALLELITY: T.I.R. _____ FLATNESS: T.I.R. _____ CONCENTRICITY: T.I.R. _____ ANGLES AND PERPENDICULARITY: ±1'	FSCM NO. 34078	MIDWEST MICROWAVE		
	NOTICE: The information contained in this drawing is proprietary and must not be used without the permission of Midwest Microwave		TITLE TERMINATION	
	DRAWN/DATE M.HOLLMAN 1/11/94	ENG./DATE G.KOZAK 1/17/94	DRAWING NUMBER TRM-2058-MC-SMA-02	
	CHECKED/DATE A.BEATTY 1/12/94	APPROVED/DATE	SCALE: 5=1	SHEET 1 of 1