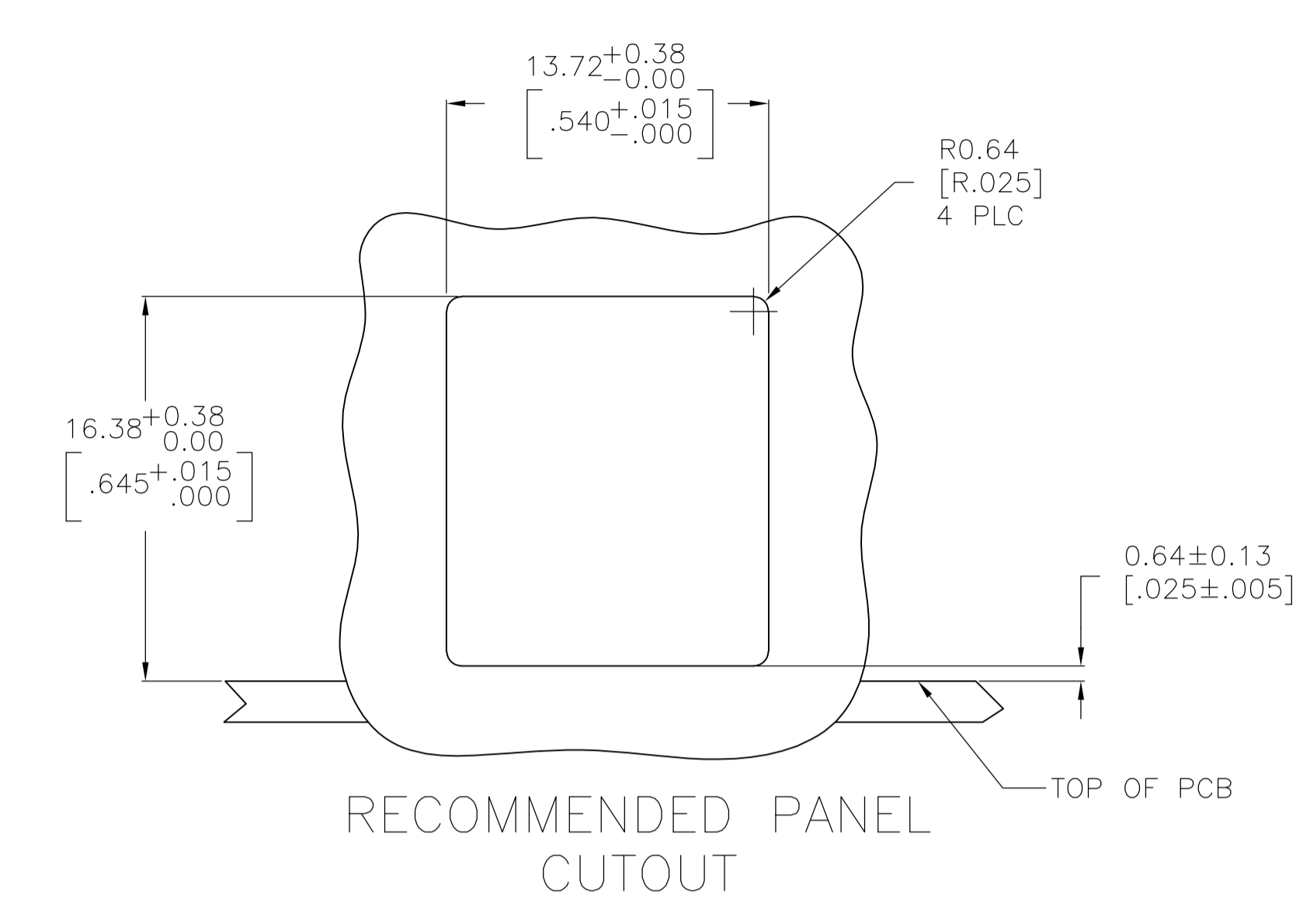
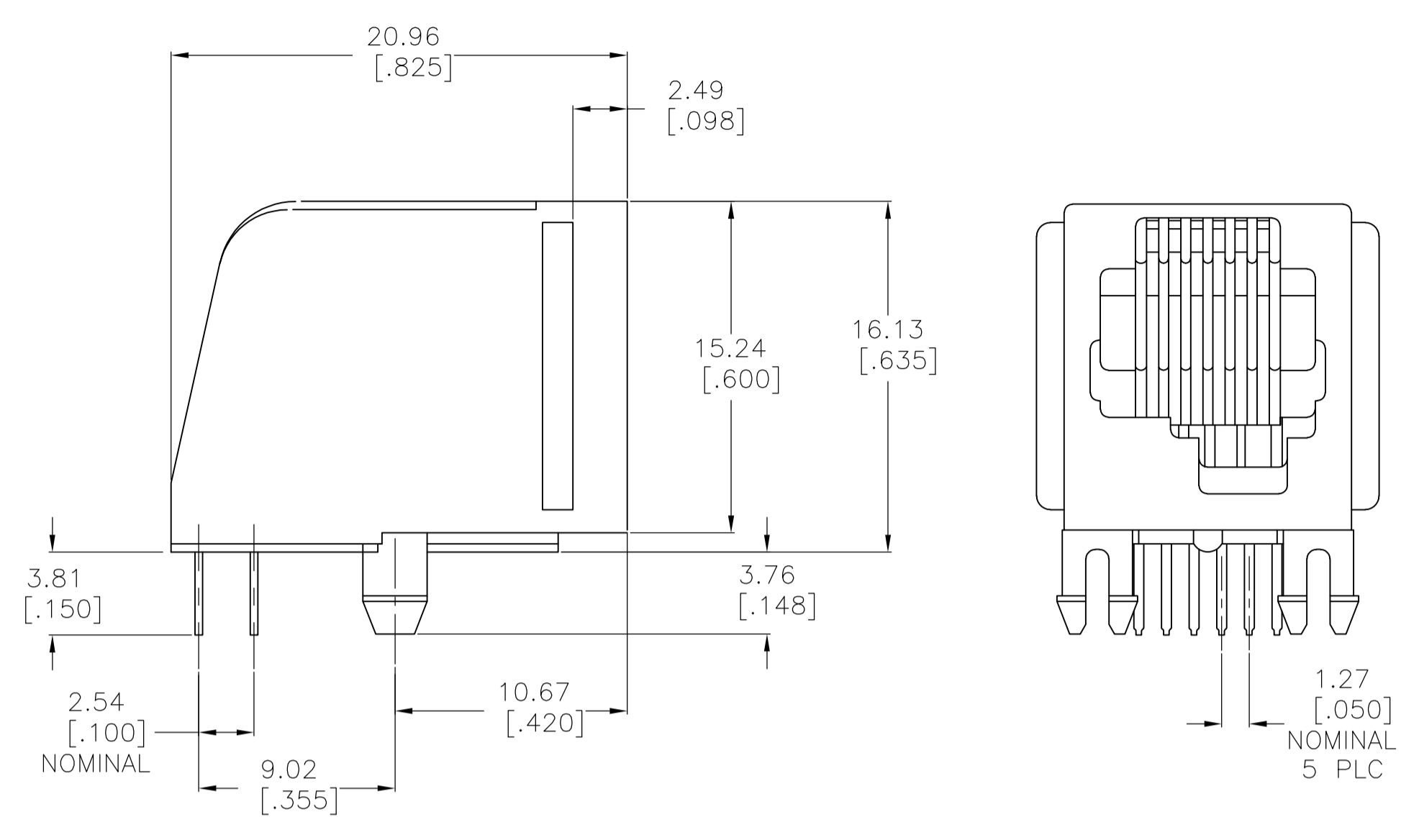
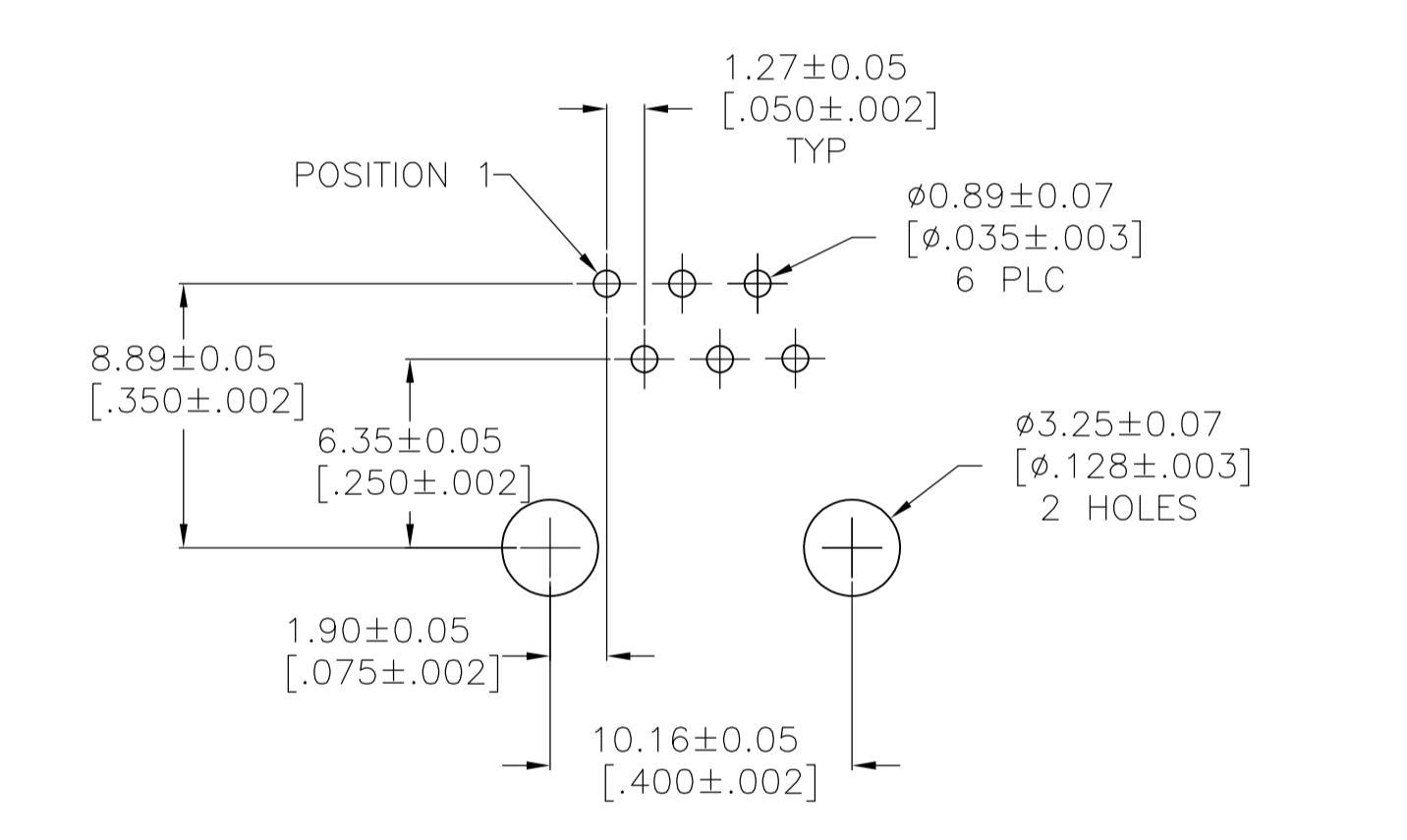
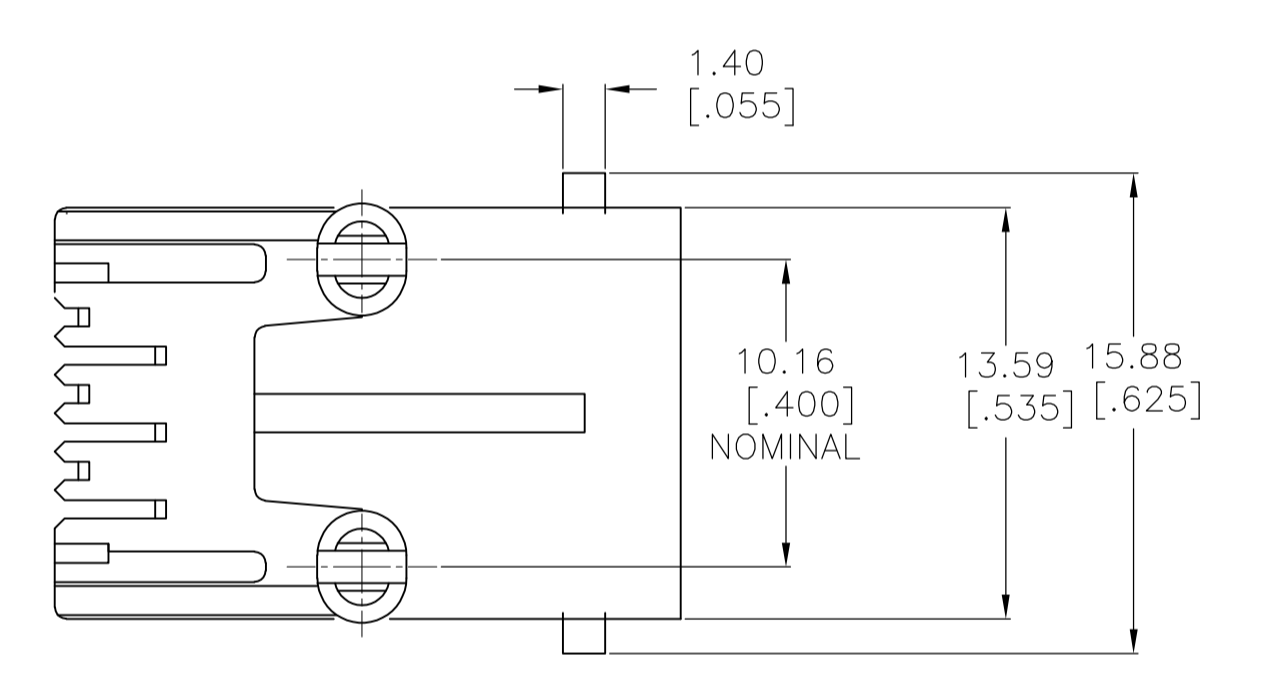


LOC		DIST		REVISIONS			
P	LTR	DESCRIPTION	DATE	DNW	APVD		
C		ECC-08-006985	25JUN2008	LAM	PR		



1. MATERIAL: HOUSING - PBT POLYESTER, COLOR: GRAY
 TERMINAL -- 0.35 [0.0138] THICK PHOS BRONZE
 PLATED WITH 1.27 μm [0.000050] THICK HARD GOLD
 IN LOCALIZED GOLD PLATE AREA AND 3.81 μm [0.000150]
 THICK MATTE TIN IN SOLDER AREA OVER 1.27 μm
 [0.000050] THICK NICKEL UNDERPLATE
2. BULK PACKAGED IN A TRAY.
3. PACKAGED 36 ASSEMBLIES PER TUBE WITH BOTH ENDS ENCLOSED
4. DIMENSIONS ARE MAXIMUM UNLESS OTHERWISE SHOWN



RECOMMENDED PRINTED CIRCUIT BOARD LAYOUT COMPONENT SIDE SHOWN

SUPERSEDED BY -1	3	6	5555003-2
	2	6	5555003-1
PACKAGED	TERMINALS	PART NUMBER	

THIS DRAWING IS A CONTROLLED DOCUMENT.		DIN L.A.MAYER 30AUG2007	Tyco Electronics Corporation Harrisburg, PA 17105-3608	
DIMENSIONS: mm [INCHES]		CHK P.RECCE 30AUG2007	NAME S.FLICKINGER 30AUG2007	
TOLERANCES UNLESS OTHERWISE SPECIFIED:		PRODUCT SPEC		
0 PLC	± -	108-1163		
1 PLC	± -	APPLICATION SPEC		
2 PLC	± 0.13[005]	114-2048		
3 PLC	± -	SIZE A1		
4 PLC	± -	WEIGHT -		
ANGLES	± -	SCALE 4:1		
MATERIAL SEE NOTE 1	FINISH SEE NOTE 1	CUSTOMER DRAWING		SHEET 1 OF 1
		DRAWING NO. 00779		REV C