

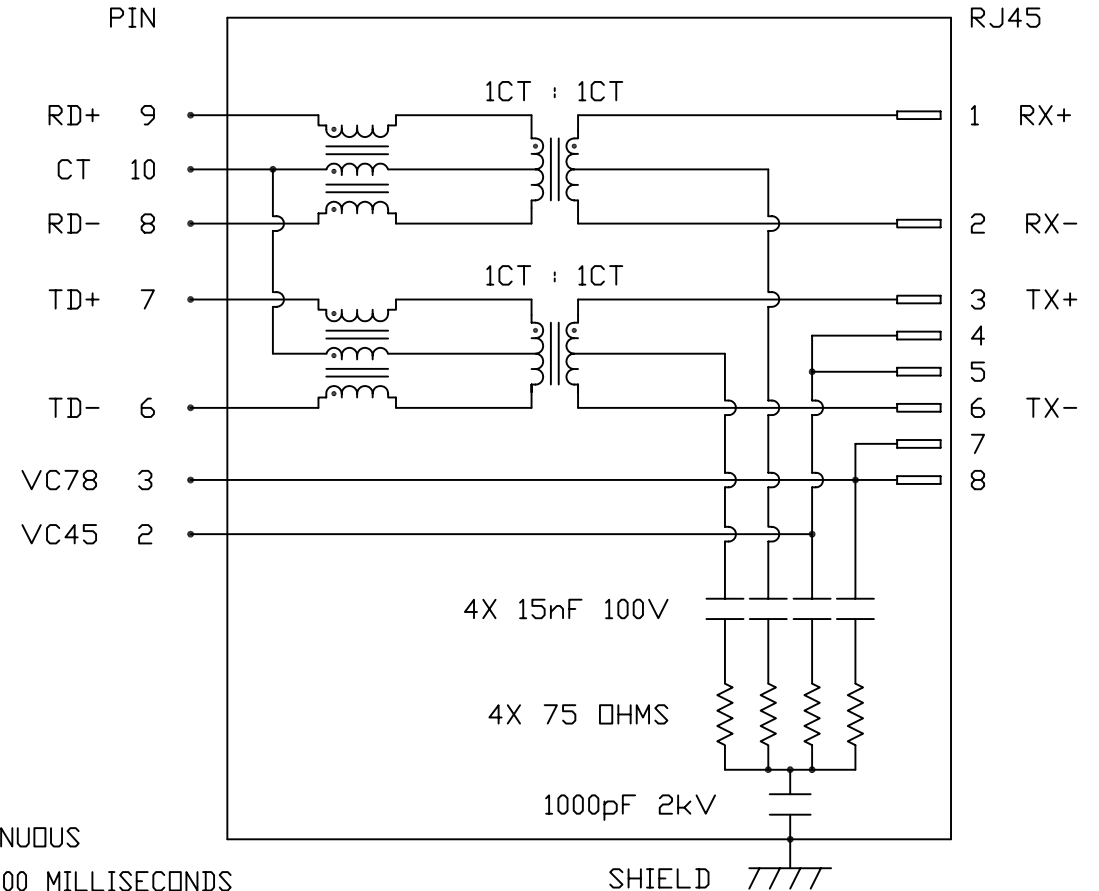
THE INFORMATION CONTAINED HEREIN IS CONSIDERED "PROPRIETARY" TO BEL FUSE INC. AND SHALL NOT BE COPIED, REPRODUCED OR DISCLOSED WITHOUT THE WRITTEN APPROVAL OF BEL FUSE INC.



ELECTRICAL CHARACTERISTICS @ 25°C

TURNS RATIO OCL @ 0.1V, 100KHz 8mA DC BIAS INSERTION LOSS 100KHz TO 100MHZ RETURN LOSS (MIN.) 2MHz-30MHz 60MHz-80MHz D.C. RESISTANCE (9-8)=(7-6) (RJ1-RJ2)=(RJ3-RJ6) INTERWINDING CAPACITANCE PER CHANNEL (PRI. to SEC.) XTALK 100KHz TO 100MHZ HIPOT (Isolation Voltage): 100% OF PRODUCTION TESTED TO COMPLY WITH IEEE 802.3 ISOLATION REQUIREMENT BALANCED DC LINE CURRENT	1CT : 1CT ±2% 350μ H MIN. -1.5 dB MAX. -16 dB MIN. -10 dB MIN. 1.40 ΩH MAX. 1.0 ΩH MAX. 40 pF MAX. -30 dB MIN. 2250 VDC WITH IEEE 802.3 ISOLATION REQUIREMENT 350 mA MAX. @ 57 VDC CONTINUOUS 500 mA MAX. @ 57 VDC FOR 200 MILLISECONDS
---	---

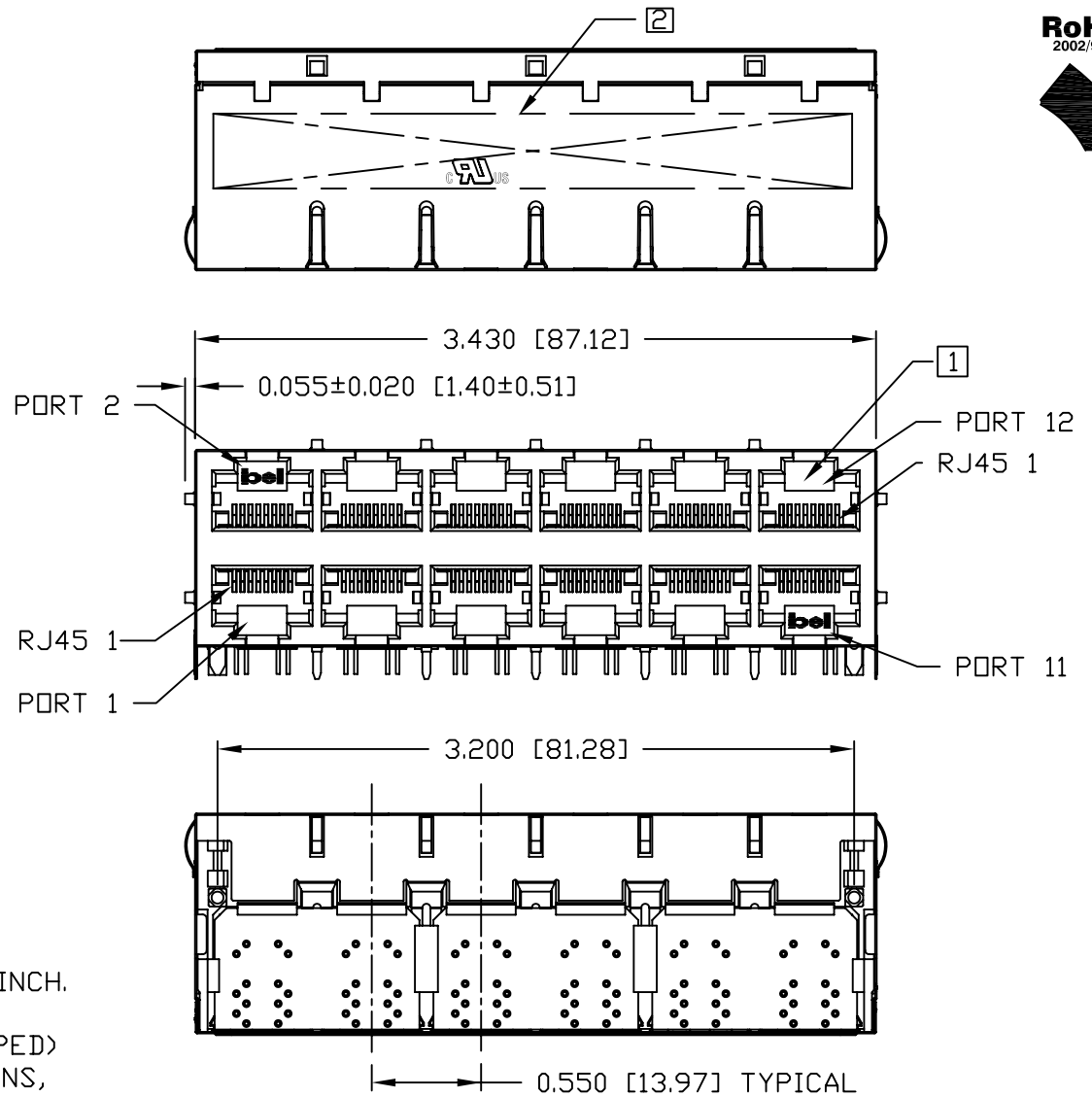
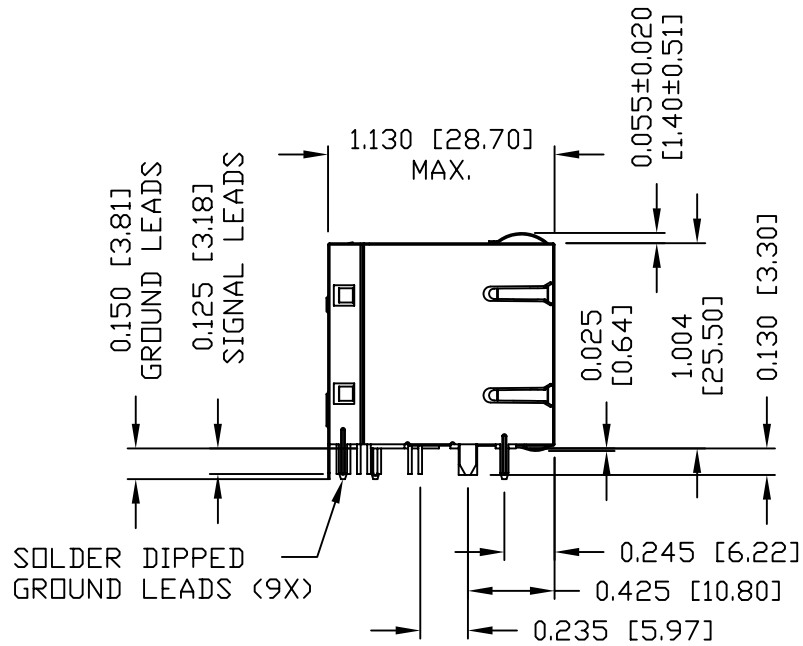
SCHEMATIC



ORIGINATED BY	DATE	TITLE	PART NO. / DRAWING NO.	STANDARD DIM. TOL. IN INCH	[] METRIC DIM. AS REFERENCE
CHOW WANGCHUNG	10-14-09	2X6 Stacked MagJack® FOR 10/100 POE	08332X6R59-F	.X	UNIT : INCH [mm] REV. : A
DRAWN BY	DATE	0833-2X6R-59-F PATENTED	FILE NAME	.XX	SCALE : N/A SIZE : A4
LEE WEIDE	10-14-09		08332X6R59-F_A.DWG	.XXX	⊕ --- --- PAGE : 2



THE INFORMATION CONTAINED HEREIN IS CONSIDERED "PROPRIETARY" TO BEL FUSE INC. AND SHALL NOT BE COPIED, REPRODUCED OR DISCLOSED WITHOUT THE WRITTEN APPROVAL OF BEL FUSE INC.



- NOTES:**
- PLASTIC HOUSING: THERMOPLASTIC PBT
FLAMMABILITY RATING UL 94V-0
 - CONTACT PLATING: 50 MICRO-INCH HARD GOLD PLATING
 - OUTPUT PINS: TIN-COATED COPPER WIRE, DIA 0.018 INCH.
 - METAL SHIELD: NICKEL PLATED ON COPPER ALLOY.
(ALL GROUND LEADS ARE SOLDER DIPPED)

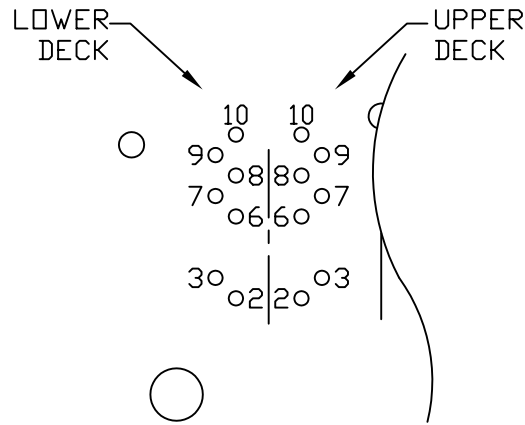
- 1. JACK CAVITY CONFORMS TO FCC RULES AND REGULATIONS, PART 68 SUBPART F.
- 2. MARK PART WITH MFG LOGO, MFG NAME, PART NUMBER, DATE CODE AND PATENTED.
- 3. RoHS COMPLIANCE, PER EU DIRECTIVE 2002/95/EC.

UL UL RECOGNIZED - FILE #E196366 AND E169987.
4. THE PRODUCT IS PATENTED, THE PATENT NUMBER IS U.S. PAT. 5,736,910.

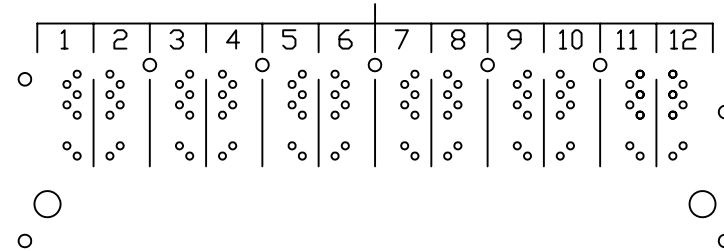
ORIGINATED BY LIU QIN	DATE 10-14-09	TITLE 2X6 Stacked MagJack® FOR 10/100 POE 0833-2X6R-59-F PATENTED	PART NO. / DRAWING NO. 08332X6R59-F	STANDARD DIM. TOL. IN INCH	[] METRIC DIM. AS REFERENCE
DRAWN BY XIAN JIAXIN	DATE 10-14-09		FILE NAME 08332X6R59-F_A.DWG	.X .XX .XXX ±0.010	UNIT : INCH [mm] SCALE : N/A ⊕
					REV. : A SIZE : A4 PAGE : 3



THE INFORMATION CONTAINED HEREIN IS CONSIDERED "PROPRIETARY" TO BEL FUSE INC. AND SHALL NOT BE COPIED, REPRODUCED OR DISCLOSED WITHOUT THE WRITTEN APPROVAL OF BEL FUSE INC.



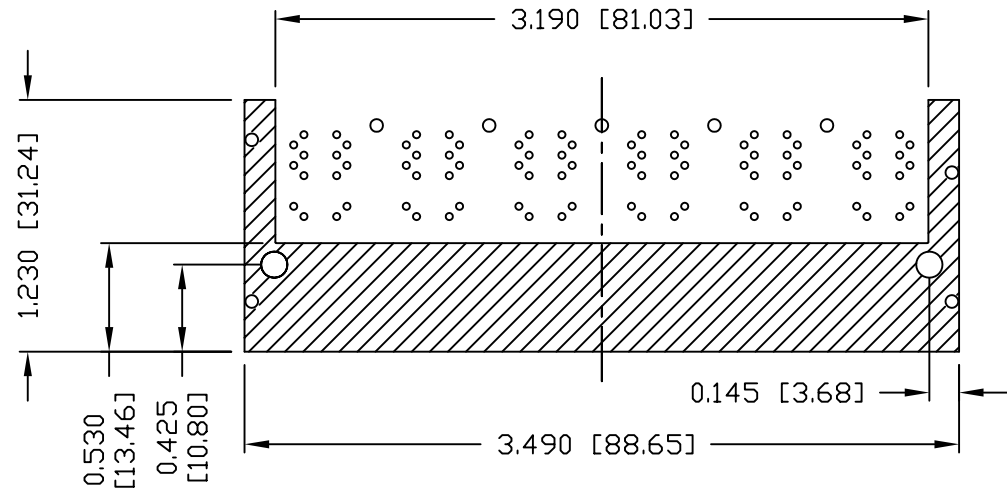
PORT ASSIGNMENT (COMPONENT SIDE VIEW)



PIN-OUT INFORMATION (COMPONENT SIDE VIEW)

10	COMMON CT
9	RD+
8	RD-
7	TD+
6	TD-
5	NO PIN
4	NO PIN
3	VC78
2	VC45
1	NO PIN

UNUSED PIN LOCATIONS MUST BE REMOVED TO ENSURE 2KV ISOLATION.

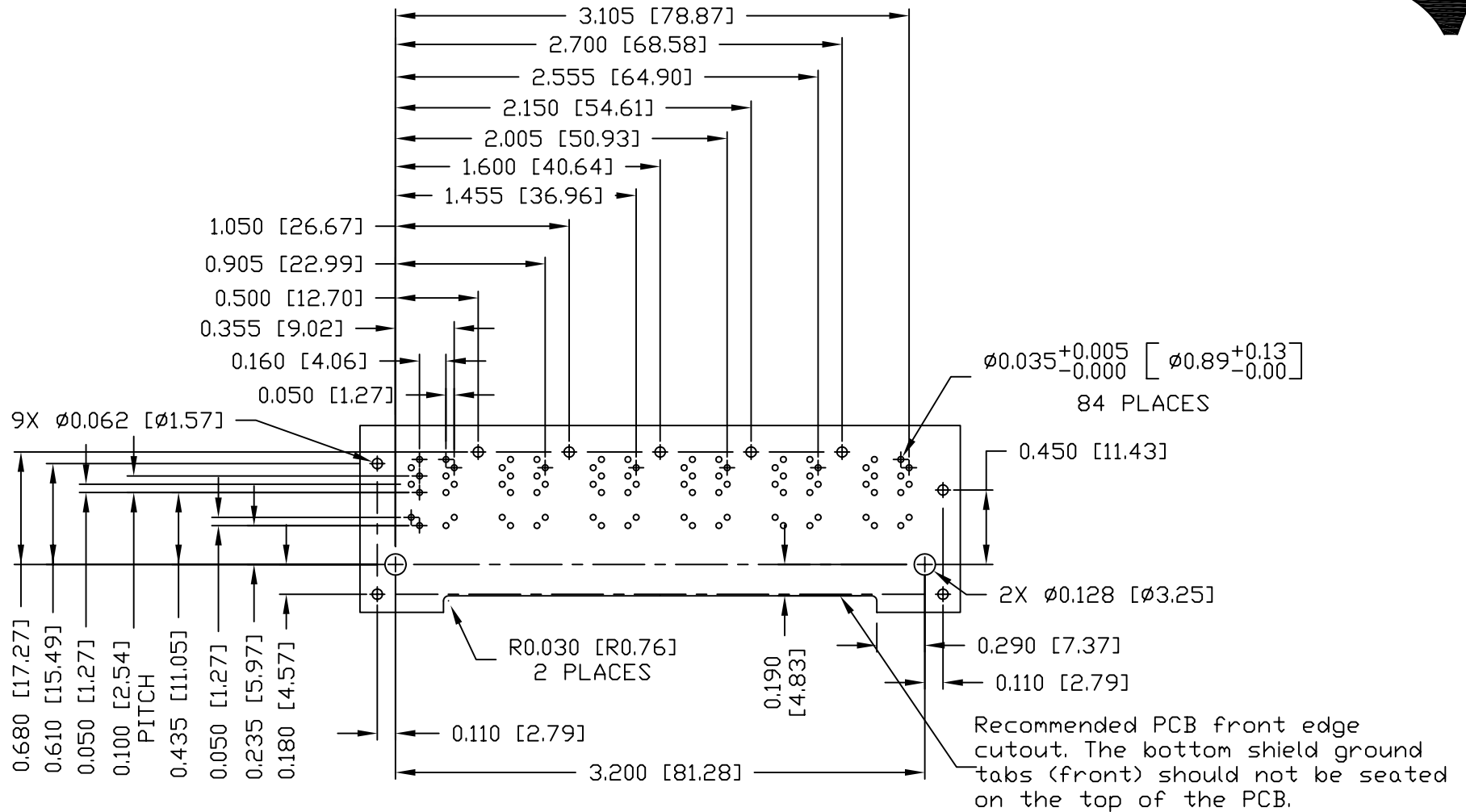


THE SHADED AREA ON THE CUSTOMER BOARD ARE RECOMMENDED TO BE CLEAR OFF ANY VIA HOLE OR COMPONENT PAD.

ORIGINATED BY LIU QIN	DATE 10-14-09	TITLE 2X6 Stacked MagJack® FOR 10/100 POE 0833-2X6R-59-F PATENTED	PART NO. / DRAWING NO. 08332X6R59-F		STANDARD DIM. TOL. IN INCH		[] METRIC DIM. AS REFERENCE	
			FILE NAME 08332X6R59-F_A.DWG		.X .XX .XXX	±0.004	UNIT : INCH [mm]	REV. : A
DRAWN BY XIAN JIAXIN	DATE 10-14-09						SCALE : N/A	SIZE : A4
							⊕	PAGE : 4



THE INFORMATION CONTAINED HEREIN IS CONSIDERED "PROPRIETARY" TO BEL FUSE INC. AND SHALL NOT BE COPIED, REPRODUCED OR DISCLOSED WITHOUT THE WRITTEN APPROVAL OF BEL FUSE INC.

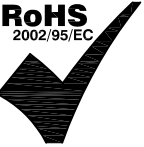


SUGGESTED PCB FOOTPRINT
(COMPONENT SIDE VIEW)

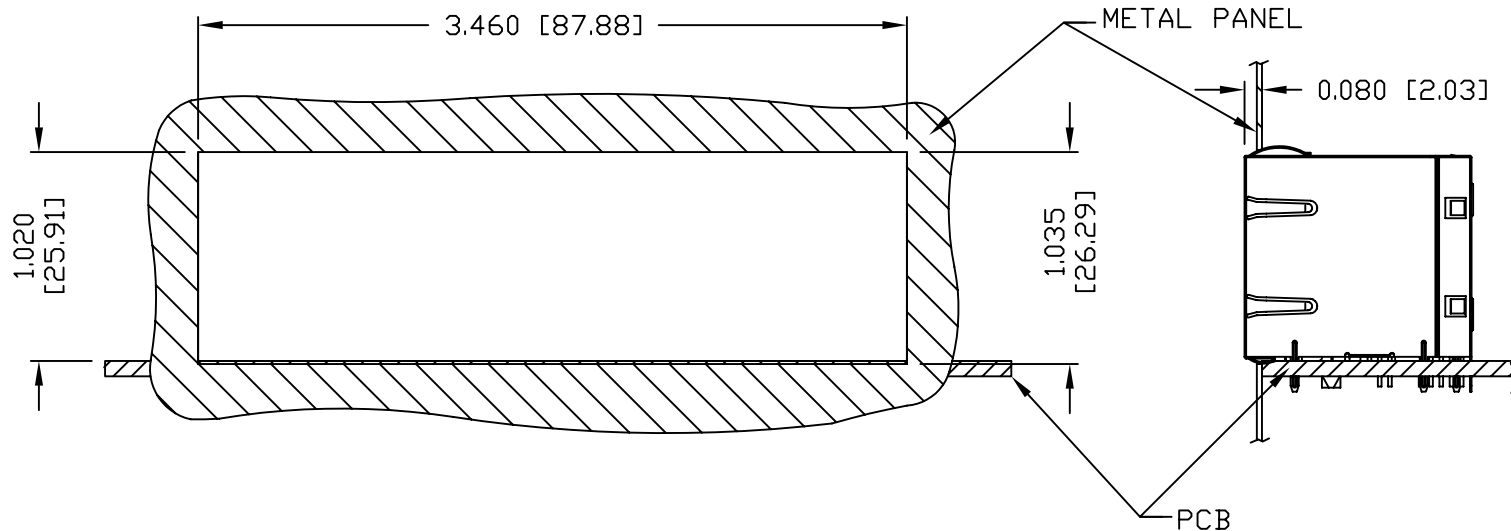
ORIGINATED BY	DATE	TITLE	PART NO. / DRAWING NO.	STANDARD DIM. TOL. IN INCH	[] METRIC DIM. AS REFERENCE
LIU QIN	10-14-09	2X6 Stacked MagJack® FOR 10/100 PDE 0833-2X6R-59-F PATENTED	08332X6R59-F	.X	UNIT : INCH [mm]
DRAWN BY	DATE			.XX	SCALE : N/A
XIAN JIAXIN	10-14-09		08332X6R59-F_A.DWG	.XXX ±0.004	SIZE : A4
					PAGE : 5



THE INFORMATION CONTAINED HEREIN IS CONSIDERED "PROPRIETARY" TO BEL FUSE INC. AND SHALL NOT BE COPIED, REPRODUCED OR DISCLOSED WITHOUT THE WRITTEN APPROVAL OF BEL FUSE INC.



SUGGESTED PANEL OPENING



NOTE:

THE DISTANCE OF PANEL INSIDE SURFACE RELATIVE TO FRONT SURFACE OF PART IS ONLY A SUGGESTION. IN CASE THIS DISTANCE IS DIFFERENT, THE REQUIRED PANEL OPENING DIMENSIONS CHANGE ACCORDINGLY.

PACKING INFORMATION

PACKING TRAY : 0200-9999-A9 (TOP)
0200-9999-A8 (BOTTOM)

PACKING QUANTITY : 15 PCS FINISHED GOODS PER TRAY
7 TRAYS (105 PCS FINISHED GOODS) PER CARTON BOX

NOTE : CARDBOARDS ARE PLACED BETWEEN LAYERS OF PACKING TRAY INSIDE CARTON BOX (INCLUDE THE UPPERMOST AND LOWERMOST TRAY)

ORIGINATED BY LIU QIN	DATE 10-14-09	TITLE 2X6 Stacked MagJack® FOR 10/100 POE 0833-2X6R-59-F PATENTED	PART NO. / DRAWING NO. 08332X6R59-F	STANDARD DIM. TOL. IN INCH		[] METRIC DIM. AS REFERENCE	
	DATE 10-14-09			FILE NAME 08332X6R59-F_A.DWG	.X .XX .XXX	±0.004	UNIT : INCH [mm]
						SCALE : N/A	SIZE : A4
							PAGE : 6

