

5

4

3

2

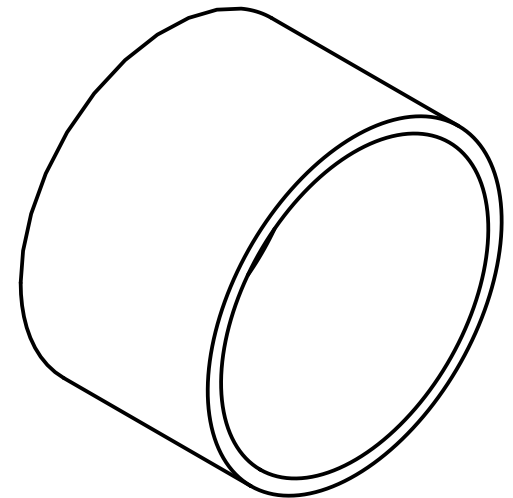
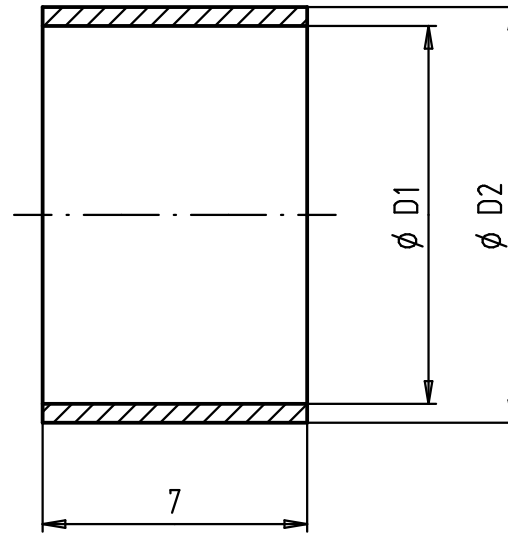
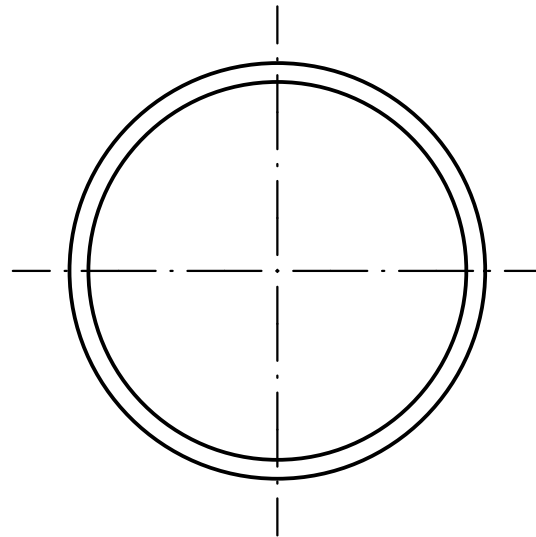
1

D




C

B

A



| | | |
|----------------|----------------|----------------|
| 61 03 000 0061 | 14,0 | 15,0 |
| 61 03 000 0060 | 13,7 | 15,0 |
| 61 03 000 0127 | 13,0 | 14,0 |
| 61 03 000 0059 | 12,5 | 13,5 |
| 61 03 000 0142 | 12,0 | 13,0 |
| 61 03 000 0058 | 11,5 | 12,5 |
| 61 03 000 0057 | 11,0 | 12,0 |
| 61 03 000 0056 | 10,5 | 11,5 |
| 61 03 000 0055 | 10,0 | 11,0 |
| 61 03 000 0054 | 9,5 | 10,5 |
| 61 03 000 0053 | 9,0 | 10,0 |
| 61 03 000 0052 | 8,5 | 9,5 |
| 61 03 000 0051 | 8,0 | 9,0 |
| 61 03 000 0050 | 7,5 | 8,5 |
| 61 03 000 0049 | 7,0 | 8,0 |
| 61 03 000 0048 | 6,5 | 7,5 |
| 61 03 000 0047 | 6,0 | 7,0 |
| 61 03 000 0046 | 5,5 | 6,5 |
| 61 03 000 0045 | 5,0 | 6,0 |
| Part number | $\phi D1$ (mm) | $\phi D2$ (mm) |

| | | | | | | | | |
|---------|----------|----------|---------|-------------------------------|------|---|---------------------------|--------------------------------------|
| | | | | Dot. | Name |  | INDUCOM Crimp ferrules | Maßstab/ Scale |
| | | | Detail. | 13/04/04 | HAGE | | | All Dim. in mm Orig. Size DIN A 4 |
| EC01992 | 21/06/10 | SC | Insp. | | |  | TB 61 03 000 OYYY | Blatt/ Page |
| EC00995 | 19/10/09 | PK | Stand. | | | | | 1 / 1 |
| | 32093 | 30/06/04 | HAGE | HARTING EURL F-95972 Paris | |  | TB 61 03 000 OYYY | Sub. |
| | 31987 | | | | | | | |
| Mod. | Dot. | Name | | | | | | |