

MICRO SWITCH
 FREEPORT ILLINOIS U.S.A.
 A DIVISION OF HONEYWELL
 FED MFG CODE 91929

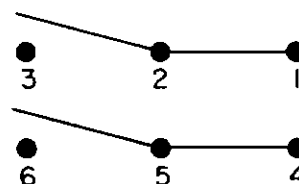
**SWITCH - TOGGLE
 ABOVE PANEL MOUNT**

CATALOG LISTING
2TP16-10

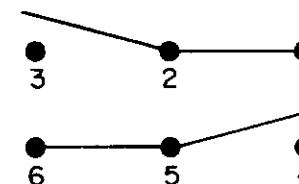
THIS DRAWING COVERS A PROPRIETARY ITEM AND IS THE PROPERTY OF MICRO SWITCH, A DIVISION OF HONEYWELL. THIS DRAWING IS NOT TO BE COPIED OR USED WITHOUT THE APPROVAL OF MICRO SWITCH.

CIRCUIT DIAGRAM

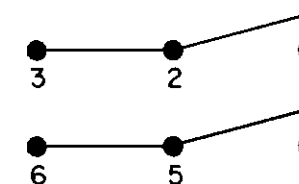
LUG SIDE
 (MAINTAINED POSITION)



CENTER
 (MAINTAINED POSITION)

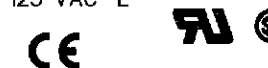


OPPOSITE LUG
 (MAINTAINED POSITION)

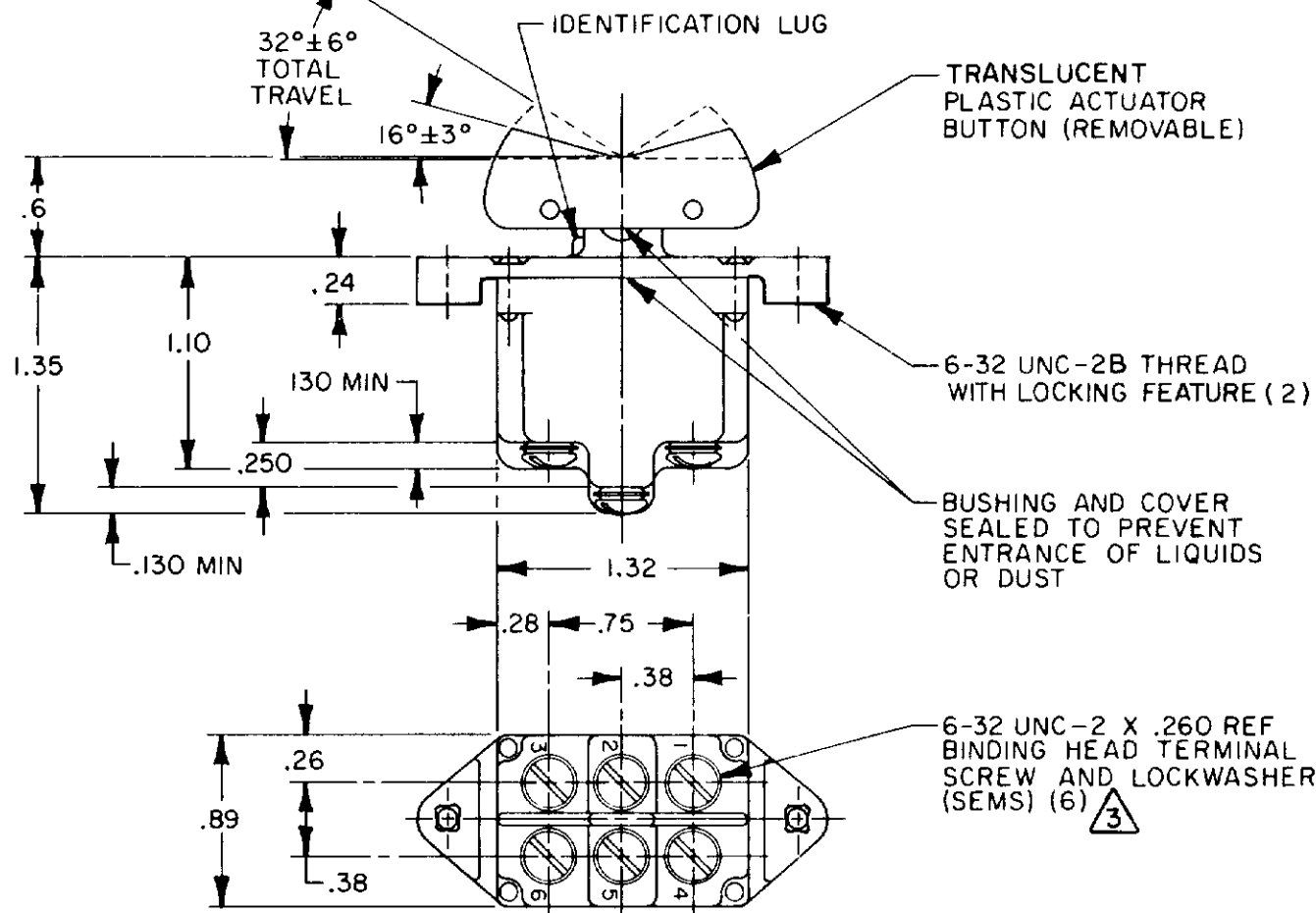
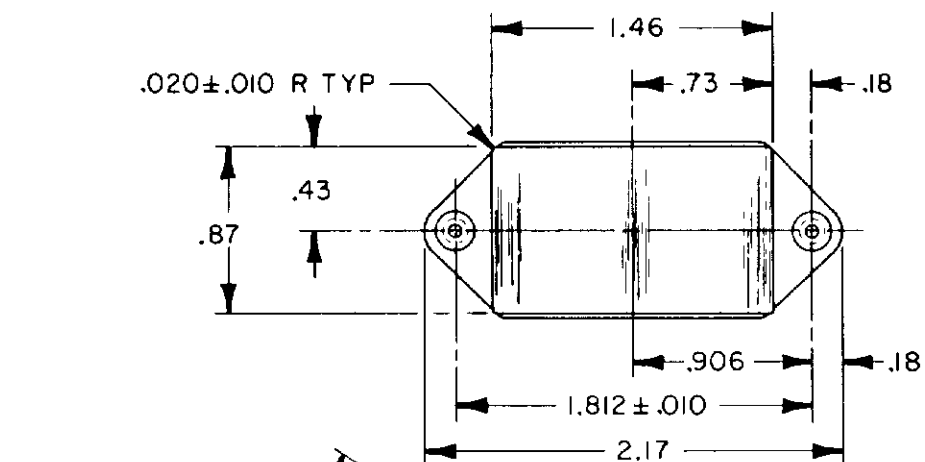


ELECTRICAL DATA

L191 15A 125, 250, 277 VAC
 1/2HP 125 VAC
 1HP 250, 277 VAC
 5A 125 VAC "L"



DRAWING NUMBER: 2TP16-10
 PAGE 1 OF 1
 ISSUE: 10
 REVISIONS:
 A CO 50791 WJM 9 JUN 82
 B C056164 J A P 6 M 85
 C C058717-B WJK 21 OCT 86
 D C077697 WJM 10 NOV 88
 E CO 94413 J J A 8 OCT 99
 FORMTEK FO-52854-C DRAWN WJM 9 JUN 82
 CHECK C E B
 REPLACES PR-5914
 RELEASE NO



NOTES

- 1 - MICRO SWITCH CATALOG LISTING MARKED ON SIDE OF SWITCH
- 2 - SWITCHES WILL WITHSTAND TEMPERATURE OF 160°F
- 3 - SCREWS FURNISHED UNASSEMBLED

THIRD ANGLE PROJECTION

SCALE FULL

DO NOT SCALE PRINT

TOLERANCES

APPLY TO DESIGN UNITS. CONVERSIONS ARE ONLY FOR REFERENCE. UNLESS NOTED, TOLERANCES ARE:

NO. PLACES	DIM	TOL	DIM	TOL
	mm	mm/in	in	mm/in
ONE PLACE	XX	1/64	XX	0.07/03
TWO PLACES	XXX	0.001/0.016	XXX	0.001/0.015
THREE PLACES	XXXX	0.0001/0.008	XXXX	0.0001/0.005

DESIGN UNITS: METRIC US CUSTOMARY

WEIGHT