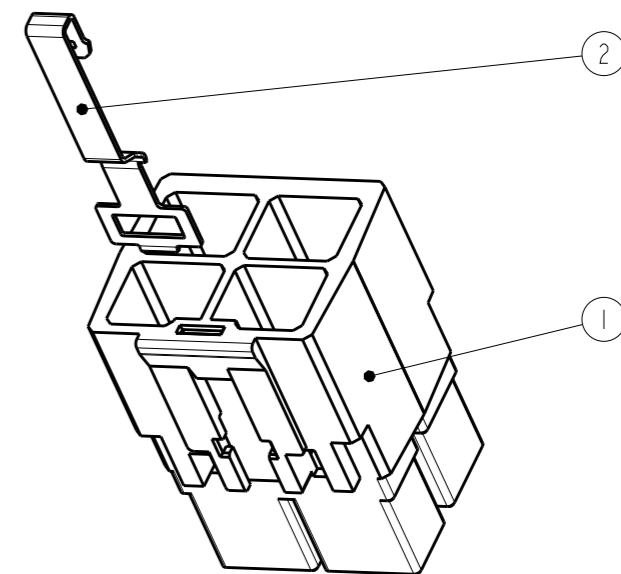
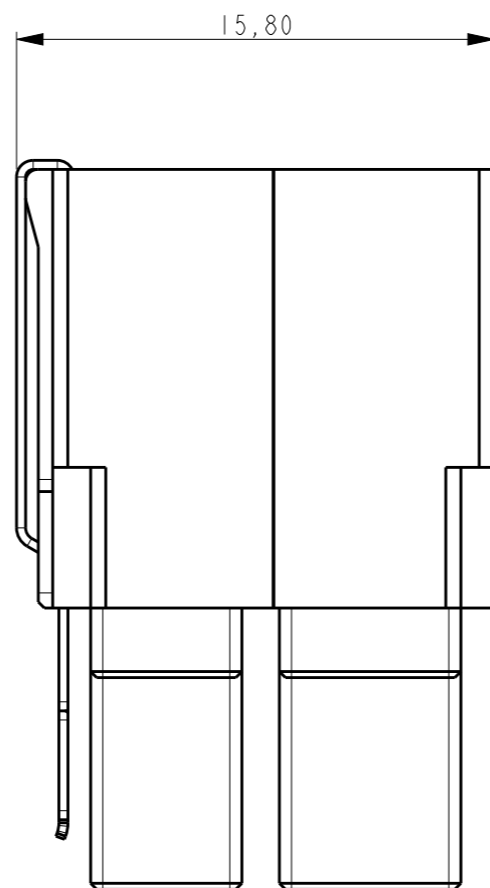
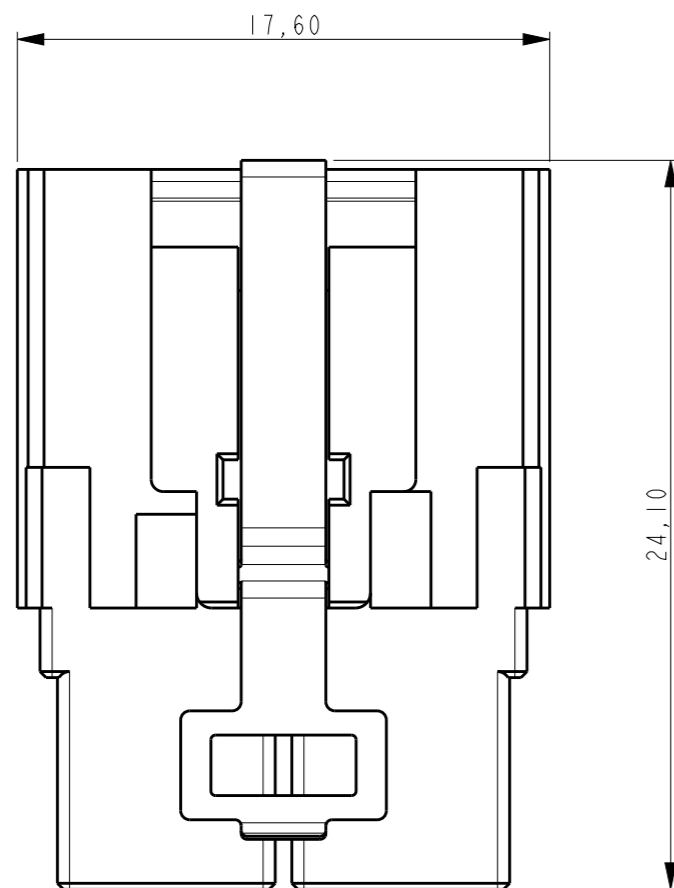


THIS DRAWING IS UNPUBLISHED. RELEASED FOR PUBLICATION  
 © COPYRIGHT BY TYCO ELECTRONICS CORPORATION. ALL RIGHTS RESERVED.

LOC	DIST	REVISIONS			
P	LTR	DESCRIPTION	DATE	DWN	APVD
	A	INITIAL DRAWING	30 APR 2013	JS	GV
	B	REV PER ECO-16-014059	10JAN2017	WY	SZ

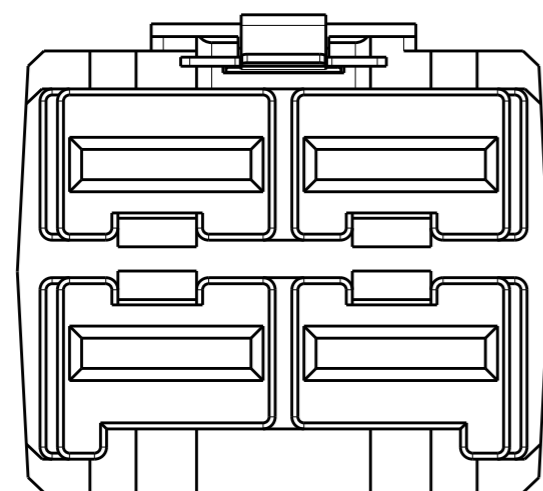


SCALE 2:1

NOTES:

- 1 USE FOR (SILVER PLATED) STANDARD POWER TIMER CONTACTS .  
 FOR CONTACTS PARTNUMBERS SEE DWG. C-1355048 VERSION A  
 ALLOWED MAX WIRE SIZE 10AWG.

2173200-1 AS SHOWN



ITEM NO.	DESCRIPTION	MATERIAL	FINISH
2	LATCH	STAINLESS STEEL	NOT APPLICABLE
1	HOUSING	PBT 20%GF UL94V-0	NOT APPLICABLE

THIS DRAWING IS A CONTROLLED DOCUMENT.		DWN 24 oct 2012 J. Smits	 <b>PRELIMINARY</b> ELCON Mini, 4-position cable connector metal latch, 10AWG max. wire
DIMENSIONS:	TOLERANCES UNLESS OTHERWISE SPECIFIED:	CHK 24 oct 2012 B. Moolj	
mm	0 PLC ± 0,1 1 PLC ± 0,1 2 PLC ± 0,1 3 PLC ± - 4 PLC ± - ANGLES ± 2	APVD 24 oct 2012 G. Verduijn	
MATERIAL	FINISH	PRODUCT SPEC	SIZE CAGE CODE DRAWING NO RESTRICTED TO
-	-	-	A3 00779C- 2173200 -
Customer Drawing			SCALE 4:1 SHEET 1 OF 1 REV B