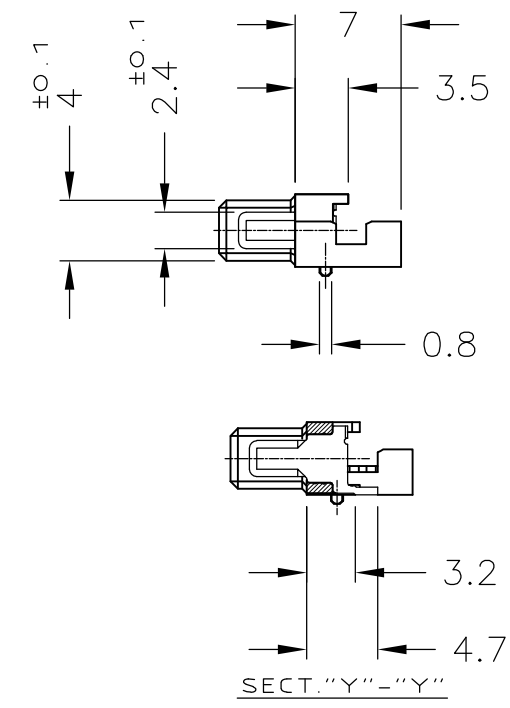
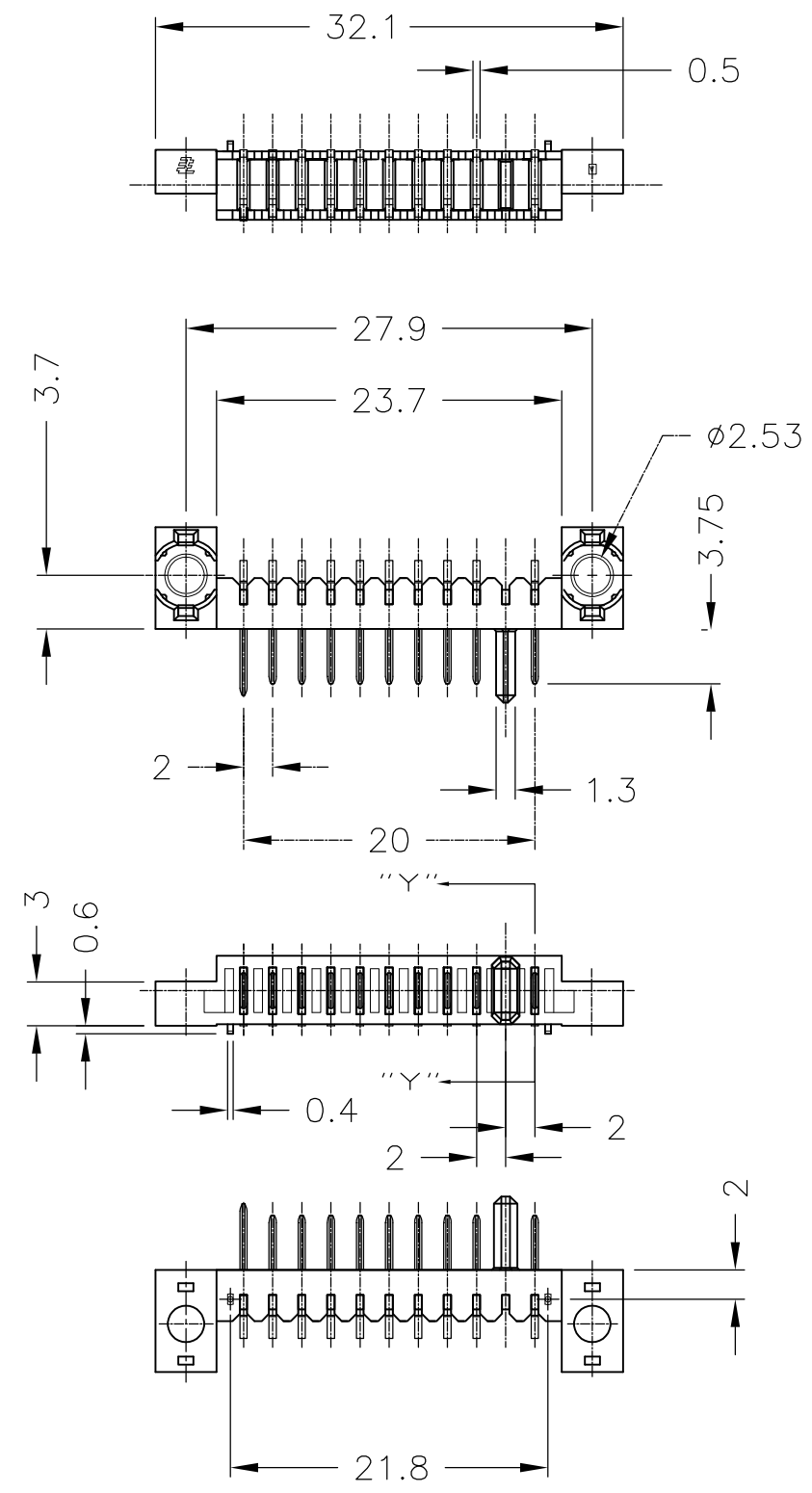


THIS DRAWING IS UNPUBLISHED. RELEASED FOR PUBLICATION
 © COPYRIGHT - By - ALL RIGHTS RESERVED.

LOC ES	DIST -	REVISIONS 変更			DATE	DWN	APVD
		P	LTR	DESCRIPTION			
				SEE SHEET 1			

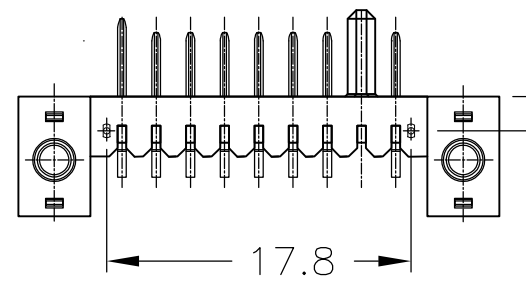
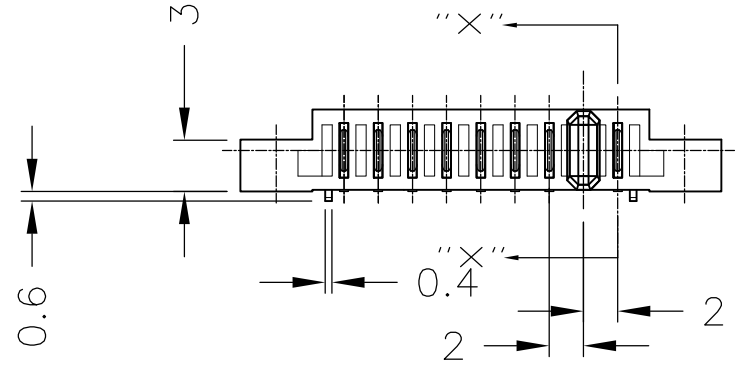
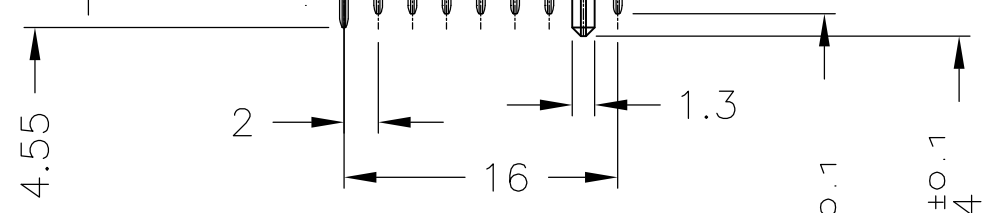
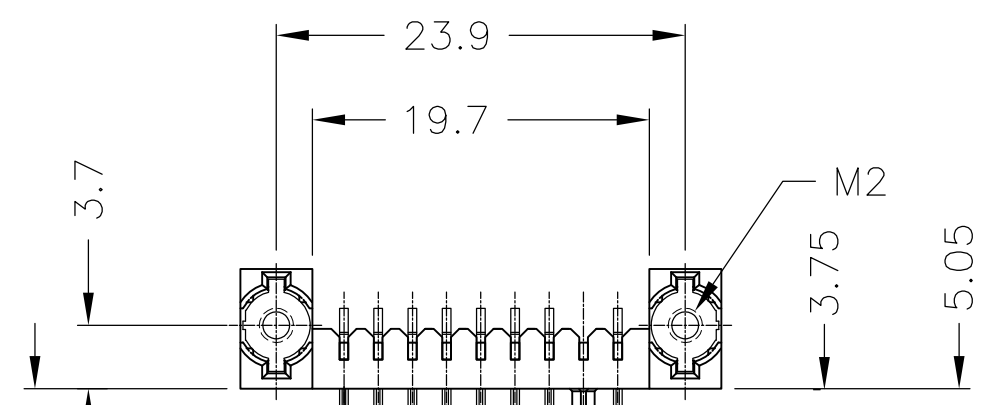
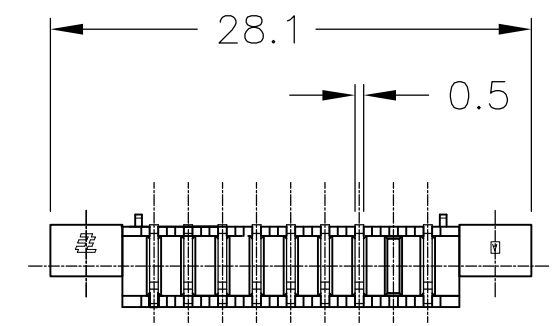
1-1612962-3 : AS SHOWN



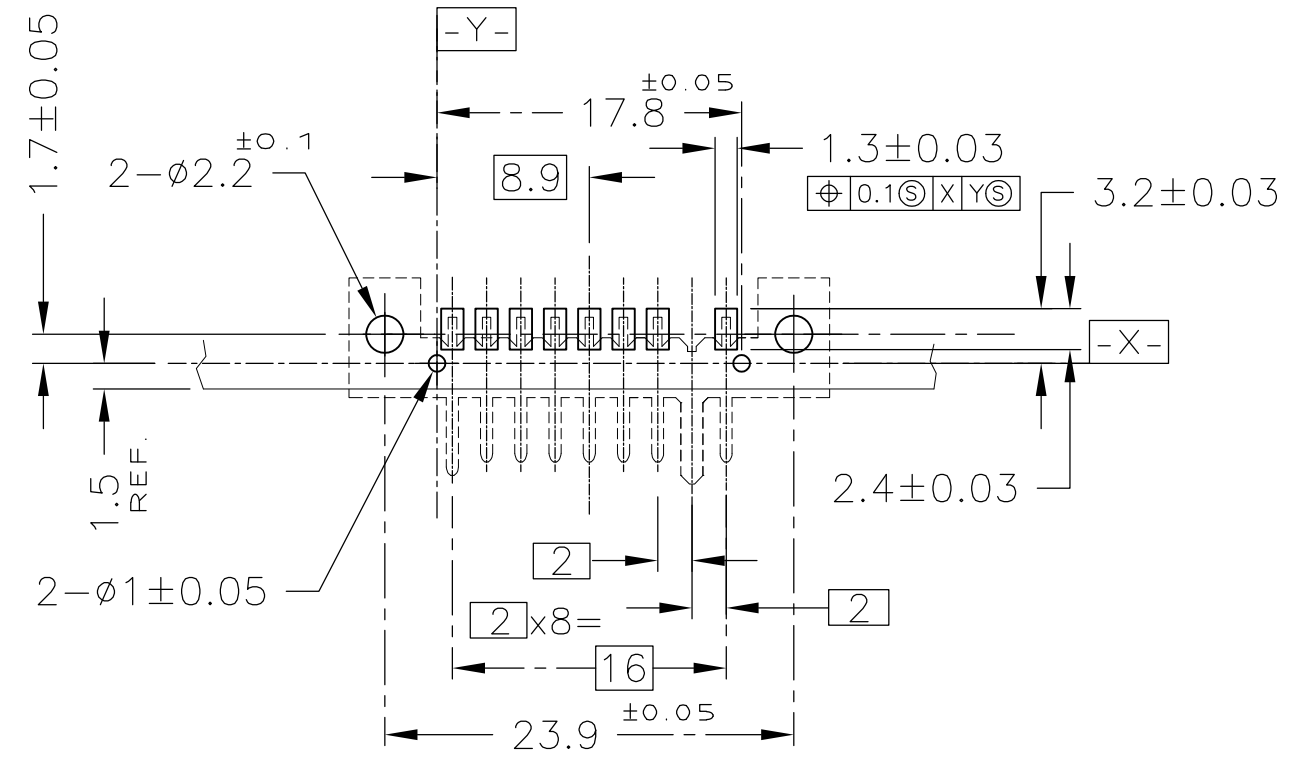
THIS DRAWING IS A CONTROLLED DOCUMENT.		DWN SEE SHEET 1	TE Connectivity					
DIMENSIONS: 单位: 耗 MM		CHK				NAME 名称	PLUG ASSEMBLY 2mm PITCH BATTERY CONNECTOR	
TOLERANCES UNLESS OTHERWISE SPECIFIED: 一般公差		APVD	PRODUCT SPEC 製品規格	SIZE	CAGE CODE	DRAWING NO 番号	RESTRICTED TO	
0-PLC ± 0.3 1-PLC ± 2-PLC ± 3-PLC ± 4-PLC ± ANGLES ± 3°		APPLICATION SPEC 取付適用規格	WEIGHT	A3	00779	G-1612962		
MATERIAL 材料		FINISH 仕上		CUSTOMER DRAWING		SCALE 尺度 2:1	SHEET 2 OF 3	REV C

THIS DRAWING IS UNPUBLISHED. RELEASED FOR PUBLICATION
 © COPYRIGHT - By - ALL RIGHTS RESERVED.

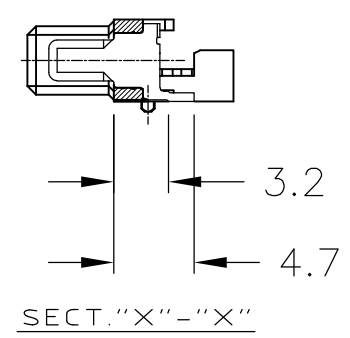
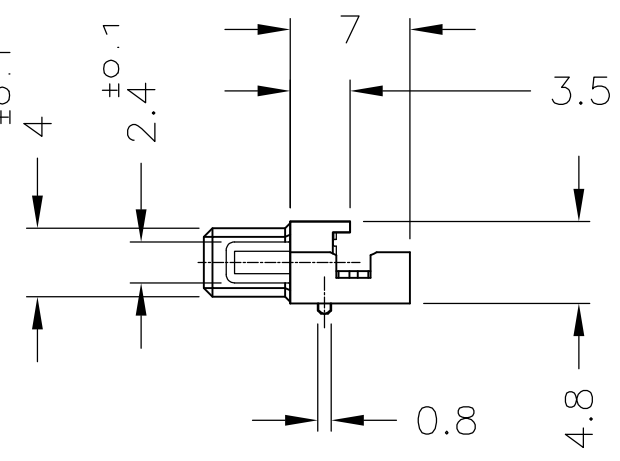
LOC	DIST	REVISIONS					
ES	-	P	LTR	DESCRIPTION	DATE	DWN	APVD
				SEE SHEET 1			



3-1612962-3 : AS SHOWN



RECOMMENDED P.C. BOARD LAYOUT
 P.C. BOARD THK 0.8~1.2
 (VIEW FROM CONNECTOR MOUNTING SIDE)



- ▲ MATERIAL HOUSING : THERMOPLASTIC RESIN, UL94V-0
 COLOR ; BLACK
- CONTACT : COPPER ALLOY
- NUT PLATE : STAINLESS STEEL
- ▲ FINISH CONTACT : Ni ALL OVER UNDER PL
 GOLD PL. (0.127μm MIN.) AT CONTACT AREA
 Au FLASH PL. AT LEAD AREA

THIS DRAWING IS A CONTROLLED DOCUMENT.		DWN SEE SHEET 1	TE Connectivity				
DIMENSIONS: 単位: 耗 MM		CHK					NAME 名称
TOLERANCES UNLESS OTHERWISE SPECIFIED: 一般公差		APVD	PRODUCT SPEC 製品規格	SIZE	CAGE CODE	DRAWING NO 番号	RESTRICTED TO
0-PLC ±0.3 1-PLC ± 2-PLC ± 3-PLC ± 4-PLC ± ANGLES ±3°		APPLICATION SPEC 取付適用規格	WEIGHT	A3	00779	C-1612962	-
MATERIAL 材料		FINISH 仕上	CUSTOMER DRAWING		SCALE 尺度 2:1	SHEET 3 OF 3	REV C