

Wireless elements - PSD-S WIN STARTERKIT/UL - 2701564

Please be informed that the data shown in this PDF Document is generated from our Online Catalog. Please find the complete data in the user's documentation. Our General Terms of Use for Downloads are valid (<http://phoenixcontact.com/download>)




Starter kit with C-UL-US approval for the WIN signal tower wireless system, consisting of one master with antenna, three slaves, nine LED permanent light elements (red, yellow, green), three connection elements, three mounting feet with integrated tube, software CD, USB cable (3 m), four rubber feet, and mounting material for wall mounting the master

Why buy this product

- Existing signal towers can be extended without additional wiring
- Can be operated parallel to other wireless applications
- Simultaneous detection of up to 50 wireless elements
- Range of a wireless element with a free line of sight of up to 300 m
- Error messages can be sent via e-mail
- Repeater for increasing the range integrated in each wireless element

Key Commercial Data

Packing unit	1 STK
GTIN	 4 046356 801973
GTIN	4046356801973

Technical data

Note

Trade restriction	The products are offered exclusively for export outside the EU and the European Economic Area.
-------------------	--

Approvals / conformities

Electromagnetic compatibility	Conforms with guidelines: FCC Part 15.249/IC: RSS-210 Issue 8, RSS-GEN Issue 4, RSS-102 Issue 4
-------------------------------	---

Standards and Regulations

Electromagnetic compatibility	Conforms with guidelines: FCC Part 15.249/IC: RSS-210 Issue 8, RSS-GEN Issue 4, RSS-102 Issue 4
-------------------------------	---

Environmental Product Compliance

China RoHS	Environmentally friendly use period: unlimited = EFUP-e
------------	---

Wireless elements - PSD-S WIN STARTERKIT/UL - 2701564

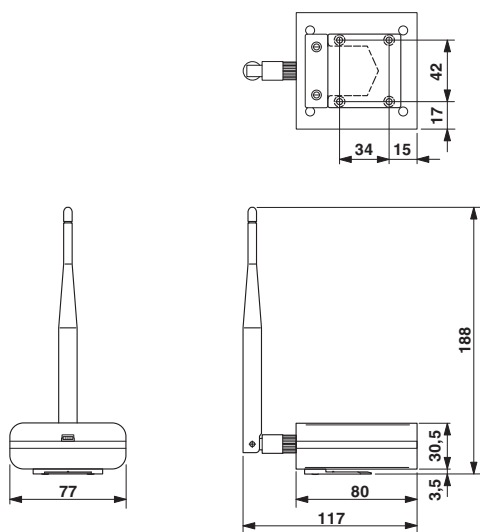
Technical data

Environmental Product Compliance

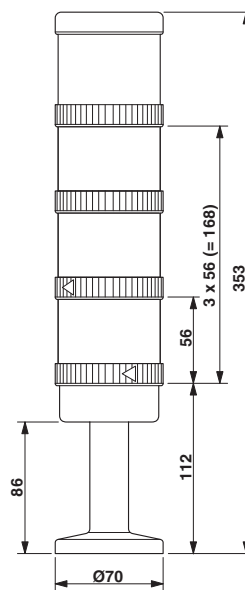
	No hazardous substances above threshold values
--	--

Drawings

Dimensional drawing



Dimensional drawing



Master

Signal towers with elements of the starter kit

Articles in set

Wireless elements - PSD-S WIN SL/UL - 2701565



Slave with C-UL-US approval for creating or extending the WIN signal tower wireless system, 24 V AC/DC, black

Wireless elements - PSD-S WIN MA/UL - 2701664



Master with antenna for the WIN signal tower wireless system, with USB interface, voltage supply via USB interface, software CD, USB cable (3 m), four rubber feet and material for wall mounting of the master

Wireless elements - PSD-S WIN STARTERKIT/UL - 2701564

Articles in set

Optical element - PSD-S OE LED RD - 2700107



LED permanent light element, 24 V AC/DC, red

Optical element - PSD-S OE LED YE - 2700122



LED permanent light element, 24 V AC/DC, yellow

Optical element - PSD-S OE LED GN - 2700119



LED permanent light element, 24 V AC/DC, green

Connection element - PSD-S CE-TM SPRING - 2700092



Connection element with spring-cage terminal blocks for tube mounting

Mounting material - PSD-S ME BT 110 - 2700156



Foot with integrated tube, 110 mm high, black

Phoenix Contact 2017 © - all rights reserved
<http://www.phoenixcontact.com>

PHOENIX CONTACT GmbH & Co. KG
Flachmarktstr. 8
32825 Blomberg
Germany
Tel. +49 5235 300
Fax +49 5235 3 41200
<http://www.phoenixcontact.com>