



Copyright FCI



FCIconnect.com

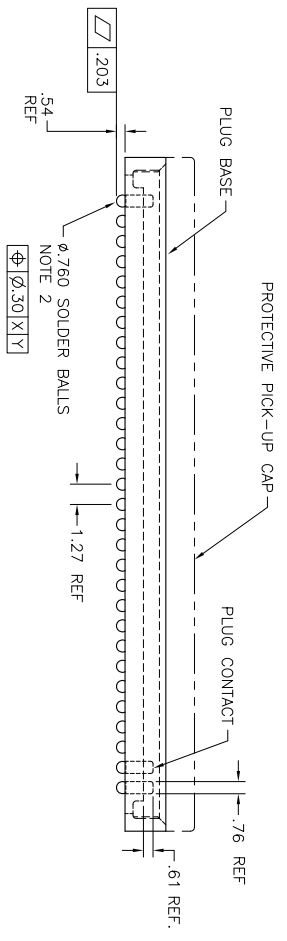
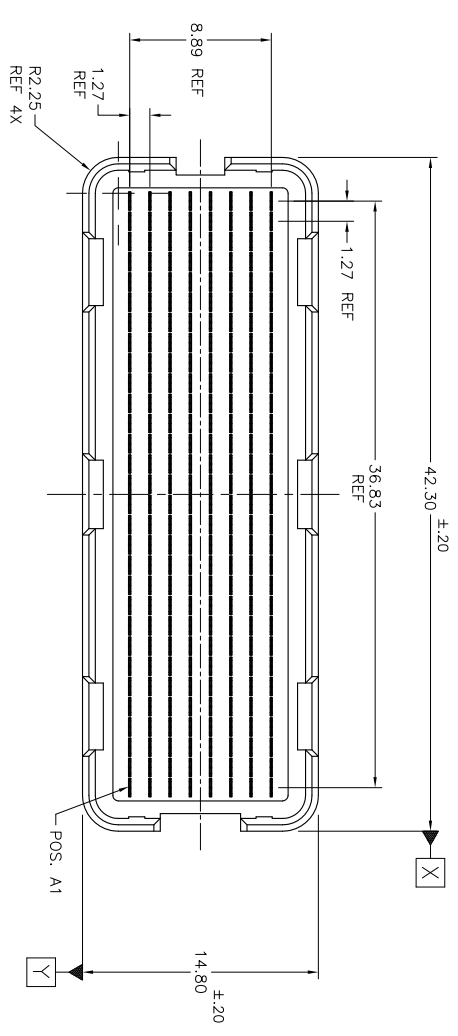


PRODUCT NUMBER
SEE TABLE-SHEET 3

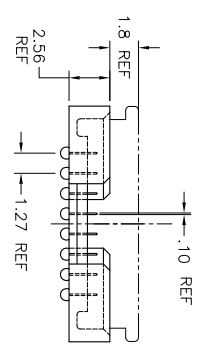
1 | 2

3 |

4



NOTE 2
Ø.760 SOLDER BALLS
Φ.30 X Y



mat'l code	SEE NOTE 1	date	surface	tolerance	projection	product family	title
lfr	ecm no.	lfr	ASME Y14.5	ASME Y14.5	MM	MEG-Array	OMM PLUG ASSY.
N	V06-0560	LP	2006-07-14	angles	X *3		8 X 30 = 240 POS.
P	V-012333	SJ	2012-08-07	XXX *#0			sheet 1 of 3
R	V12-0038	DGH	2012-11-14	±.2	Scale 1:1		size
S	V-13710	DGH	2012-12-18				A4
T	V-13387	DGH	2013-9-19				
M	V04-0940	VS	2004-10-15				
Sheet	revision	T	T	T			
index	Sheet	1	2	3			



form: ADMXLC

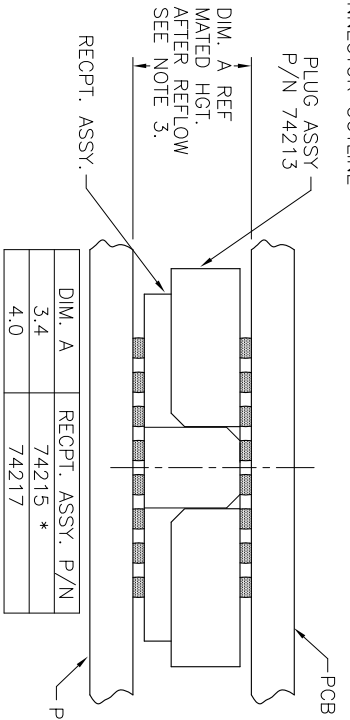
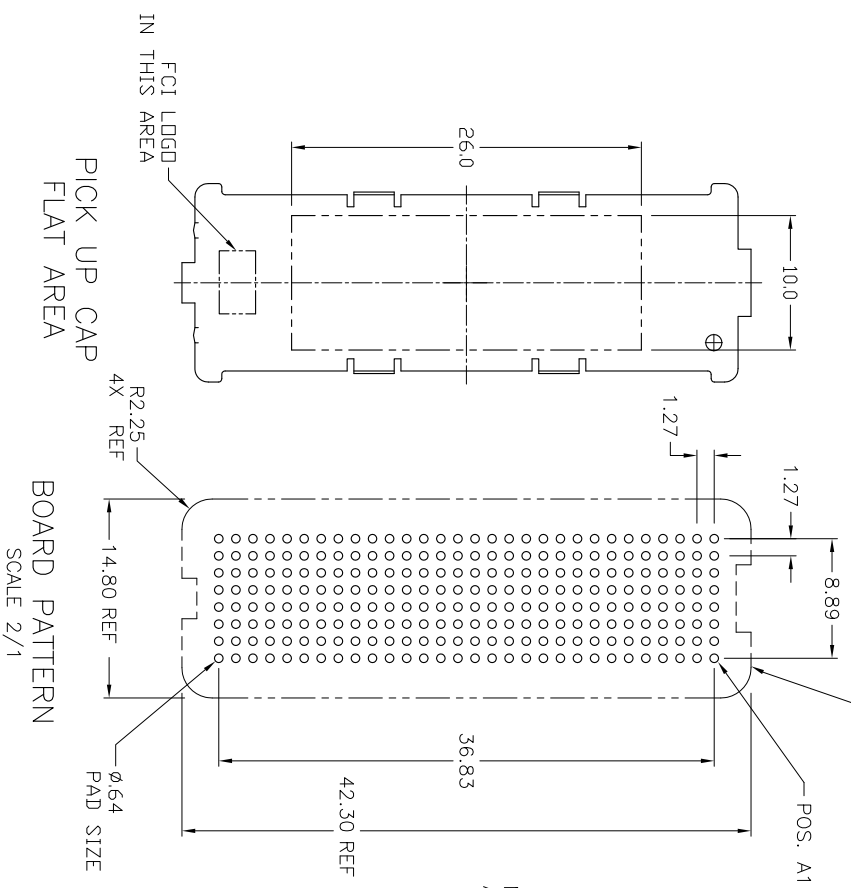
1

2

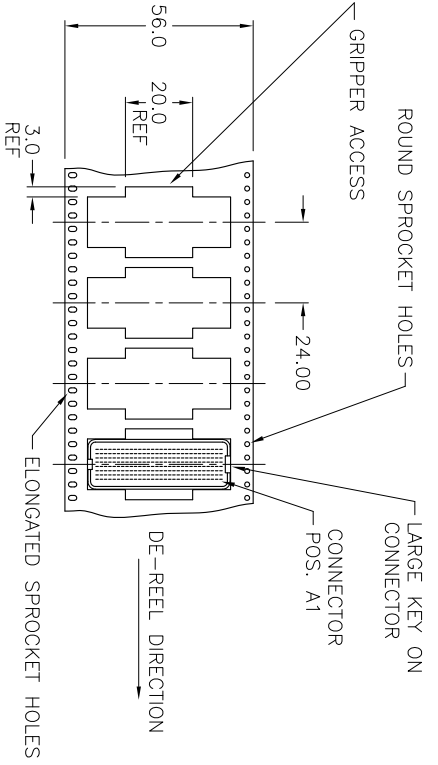
3

4

STENCIL MATED CONNECTOR OUTLINE
ONTO BOARD.



* 74215 NOT AVAILABLE IN TELCORDIA/NORTEL VERSION.
MATED HEIGHT AFTER REFLOW IS BASED ON Ø.64mm PAD (METAL-DEFINED)
AND .15mm SOLDER PASTE STENCIL THICKNESS. SEE NOTE 3.
END VIEW — MATED CONNECTORS



TAPE & REEL PACKAGING SCALE NONE
PER EIA 481-3

mat'l code	surface	tolerance	projection	product family
SEE NOTE 1	ASME Y14.5	ASME Y14.5	MM	MEG-ARRAY
lfr ecn no dfr date	tolerances unless otherwise specified			title
T	angles	X*3		0mm PLUG ASSY.
	Ø	XX*.13		8 X 30 = 240 POS.
	Ø .42"	XXX*.051	Scale 2:1	
dfr	D WAUGHEN	1997-11-14		dwg no
enfr	T LEMKE	1997-11-14		sheet 2 of 3
chr	T LEMKE	1997-11-14		size
apprd	T LEMKE	1997-11-14		74213
sheet index	revision			CUSTOMER Drawing
				A4



NOTES:

1. MAT'L:

HOUSING: LCP, FLAME RETARDANT PER UL 94V-0.

CONTACT: COPPER ALLOY

PLATING

CONTACT: (SEE TABLE ON THIS SHEET)

SOLDER BALL: (SEE TABLE ON THIS SHEET)

EUTECTIC SnPb OR LEAD FREE

95.5Sn/4Ag/0.5Cu

2. SOLDER BALLS WILL NOT BE PERFECT SPHERICAL SHAPE DUE TO REFLOW ATTACHMENT.

3. MATED HEIGHT EFFECTED BY CUSTOMER'S PCB PAD SIZE, PLATING, SOLDER REFLOW PROFILE, & SOLDER PASTE.

4. PLATING FOR INDICATED -2XX SERIES PRODUCT NUMBERS MEET THE REQUIREMENTS OF GR-1217-CORE, CENTRAL OFFICE ENVIRONMENT, (25 YEAR LIFE EXPECTANCY). THE CONTACT GEOMETRY IN THESE PRODUCT NUMBERS IS SPECIAL, ALSO.

5. FOR PROPER APPLICATION FOLLOW FCI APPLICATION SPECIFICATION GS-20-033 LEAD FREE SOLDER BALLS WILL NOT SOLDER PROPERLY IN A LEADED SOLDER PROCESS DUE TO A HIGHER REFLOW TEMPERATURE. LEAD FREE PRODUCT IS THEREFORE NOT BACKWARDS COMPATIBLE WITH LEADED OR SOME SOLDERING APPLICATIONS. REFERENCE FCI APPLICATION SPECIFICATION

6. THIS PRODUCT MEETS EUROPEAN UNION DIRECTIVES AND OTHER COUNTRY REGULATIONS AS DESCRIBED IN GS-47-0004 PRODUCT MEETING THIS DIRECTIVE IS IDENTIFIED IN THE LOT CODE NUMBER MARKED ON EACH PART BY HAVING AN "X" IN THE SEVENTH CHARACTER POSITION

7. 74213-302, -302LF, -402, -402LF, -502 AND -502LF ARE OBSOLETE PRODUCT NUMBERS.

PRODUCT NUMBER	PICK-UP GAP NATURAL OR BLACK COLOR	CONTACT PLATING AND THICKNESS	SOLDER BALL	NOTES
74213-002	YES	15u" (.38um) Au	SnPb	
74213-002LF	YES	15u" (.38um) Au	LEAD FREE	6
74213-092	YES	15u" (.38um) GXT	SnPb	
74213-092LF	YES	15u" (.38um) GXT	LEAD FREE	6
74213-102	YES	30u" (.76um) Au	SnPb	
74213-102LF	YES	30u" (.76um) Au	LEAD FREE	6
74213-192	YES	30u" (.76um) GXT	SnPb	
74213-192LF	YES	30u" (.76um) GXT	LEAD FREE	6
74213-202	YES	50u" (1.27um) Au SPECIAL	SnPb	
74213-202LF	YES	50u" (1.27um) Au SPECIAL	LEAD FREE	4 AND 6
74213-292	YES	50u" (1.27um) GXT SPECIAL	SnPb	
74213-292LF	YES	50u" (1.27um) GXT SPECIAL	LEAD FREE	4 AND 6
74213-302	YES	15u" (.38um) Au SPECIAL	SnPb	
74213-302LF	YES	15u" (.38um) Au SPECIAL	LEAD FREE	6 AND 7
74213-402	YES	30u" (.76um) Au SPECIAL	SnPb	
74213-402LF	YES	30u" (.76um) Au SPECIAL	LEAD FREE	6 AND 7
74213-502	YES	Au SPECIAL	SnPb	
74213-502LF	YES	Au SPECIAL	LEAD FREE	4 AND 7
74213-502LF	YES	Au SPECIAL	LEAD FREE	4, 6 AND 7

9. A **T** SYMBOL WILL BE NEXT TO ANY DIMENSION, NEW VIEW OR NOTE WHICH HAS BEEN MODIFIED WITH THE CURRENT DRAWING REVISION.

mat'l code	SEE NOTE 1	surface	tolerance	projection	product family
lfr	ecn no	dr	date	ASME Y14.5 tolerances unless otherwise specified	ASME Y14.5
T		angles	Xx3	MM	MEG-ARRAY
		0° ±2'	XXX-051	Scale: 2:1	8 X 30 = 240 POS.
		dr	D WAUGHEN 1997-11-14		74213
		ENGR	T LEMKE 1997-11-14		sheet 3 of 3 size
		chr	T LEMKE 1997-11-14		A4
sheet	revision	qddd	T LEMKE 1997-11-14		CUSTOMER Drawing
index	sheet				